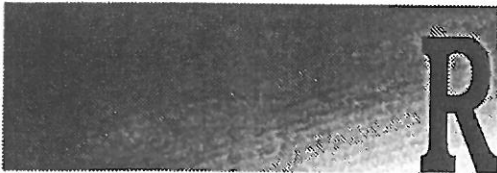
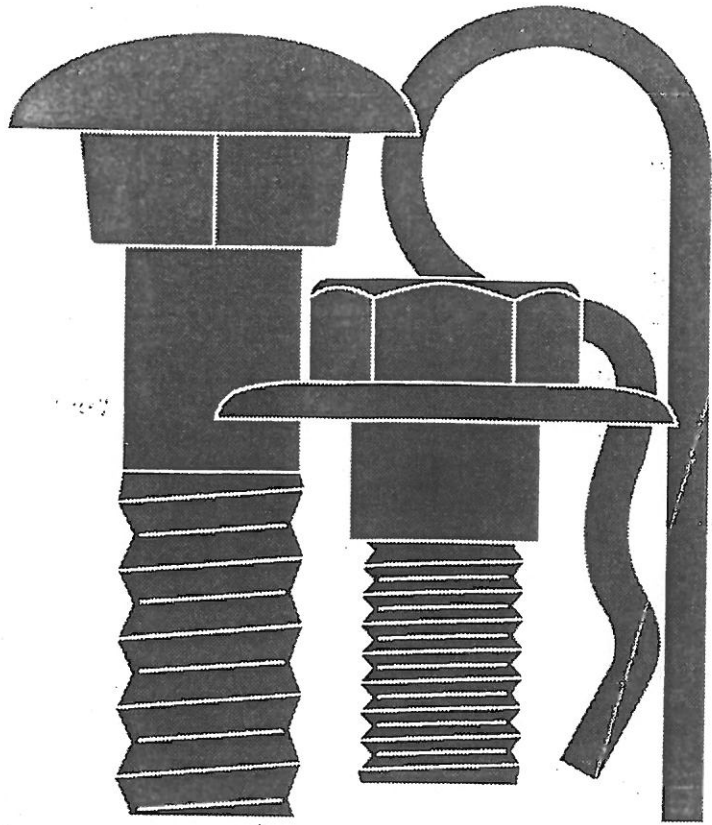


1 a a 2 .

Ventilated DECK



R REPAIR PARTS

Lawn Rider

Model No. RE10L36B

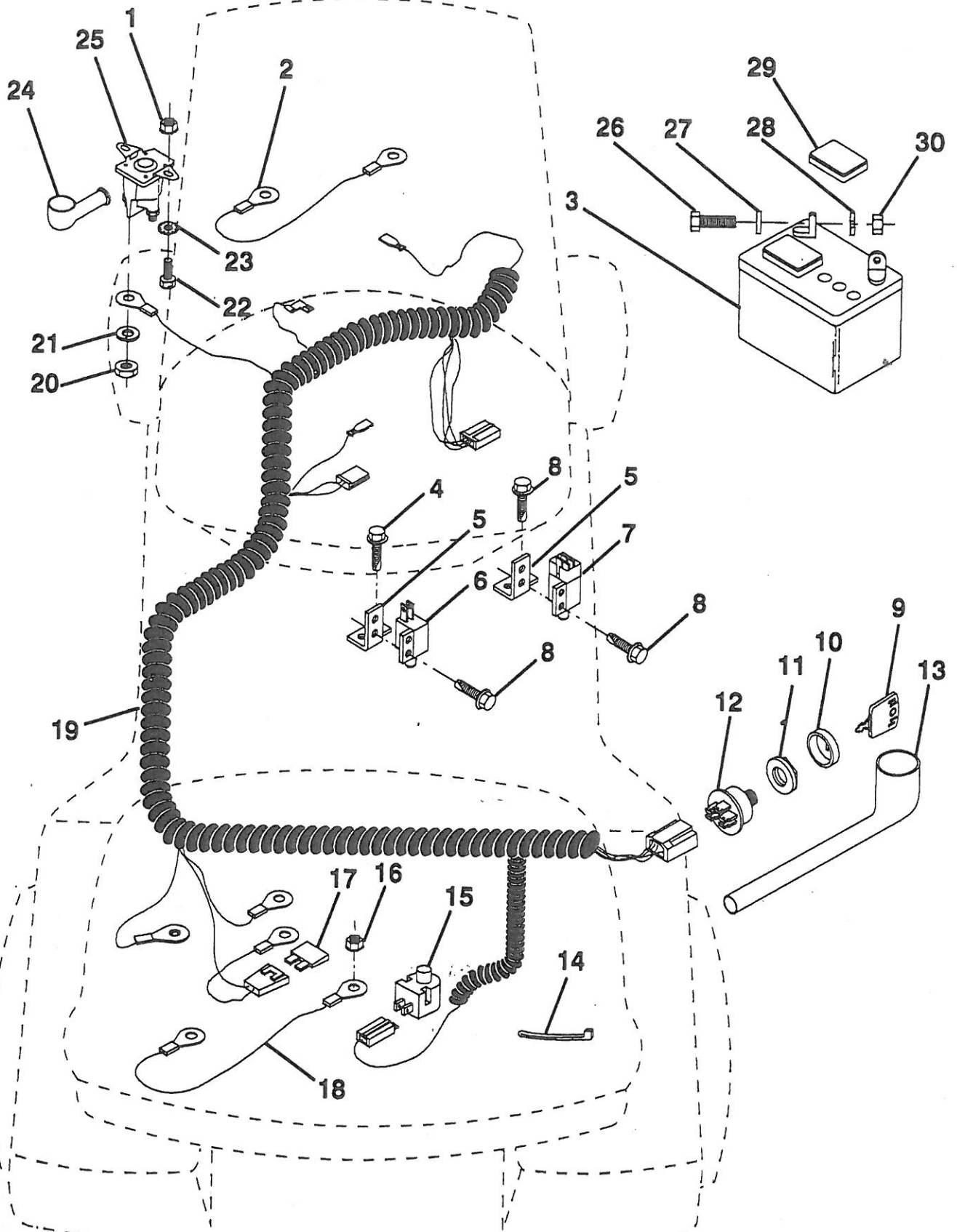
Rally

134033 11.27.91
Printed in U.S.A

REPAIR PARTS

10 HP 36" LAWN RIDER -- MODEL NUMBER RE10L36B

ELECTRICAL



REPAIR PARTS

10 HP 36" LAWN RIDER - - MODEL NUMBER RE10L36B

ELECTRICAL

KEY NO.	PART NO.	DESCRIPTION	KEY NO.	PART NO.	DESCRIPTION
1	73510400	Nut, Hex, Keps 1/4-20	19	132223	Harness, Ignition
2	108423X	Assembly, Cable	20	73350400	Nut, Hex, Jam 1/4-20
3	133909	Battery	21	10090400	* Washer, Lock 1/4
4	17211008	* Screw, Hex Washer Head, Tapping #10-16 x 1/2	22	74780408	Bolt, Hex, Fin. 1/4-20 UNC x 1/2 Grade 5
5	108236X	Bracket, Switch	23	11050400	* Washer, Lock External Tooth 1/4
6	104445X	Switch, Interlock	24	131563	Cover, Terminal
7	109553X	Switch, Interlock	25	109081X	Solenoid
8	17021008	* Screw, Hex Head, Tapping #10-24 x 1/2	26	74760412	Bolt, Hex Head 1/4-20 UNC x 3/4
9	122147X	Key, Molded	27	19091016	* Washer 9/32 x 5/8 x 16
10	123620X	Cover, Ignition Key	28	10040400	* Washer, Lock 1/4
11	124211X	Nut, Ignition	29	121264X	Cap, Battery
12	4406R	Switch, Ignition	30	73220400	* Nut, Hex, Fin. 1/4-20 UNC
13	124083X	Cover, Ignition Switch			
14	7192J	Tie, Cable			
15	121305X	Switch, Plunger			
16	73510500	* Nut, Hex, Keps 5/16-18			
17	108824X	Fuse			
18	128353	Assembly, Cable			

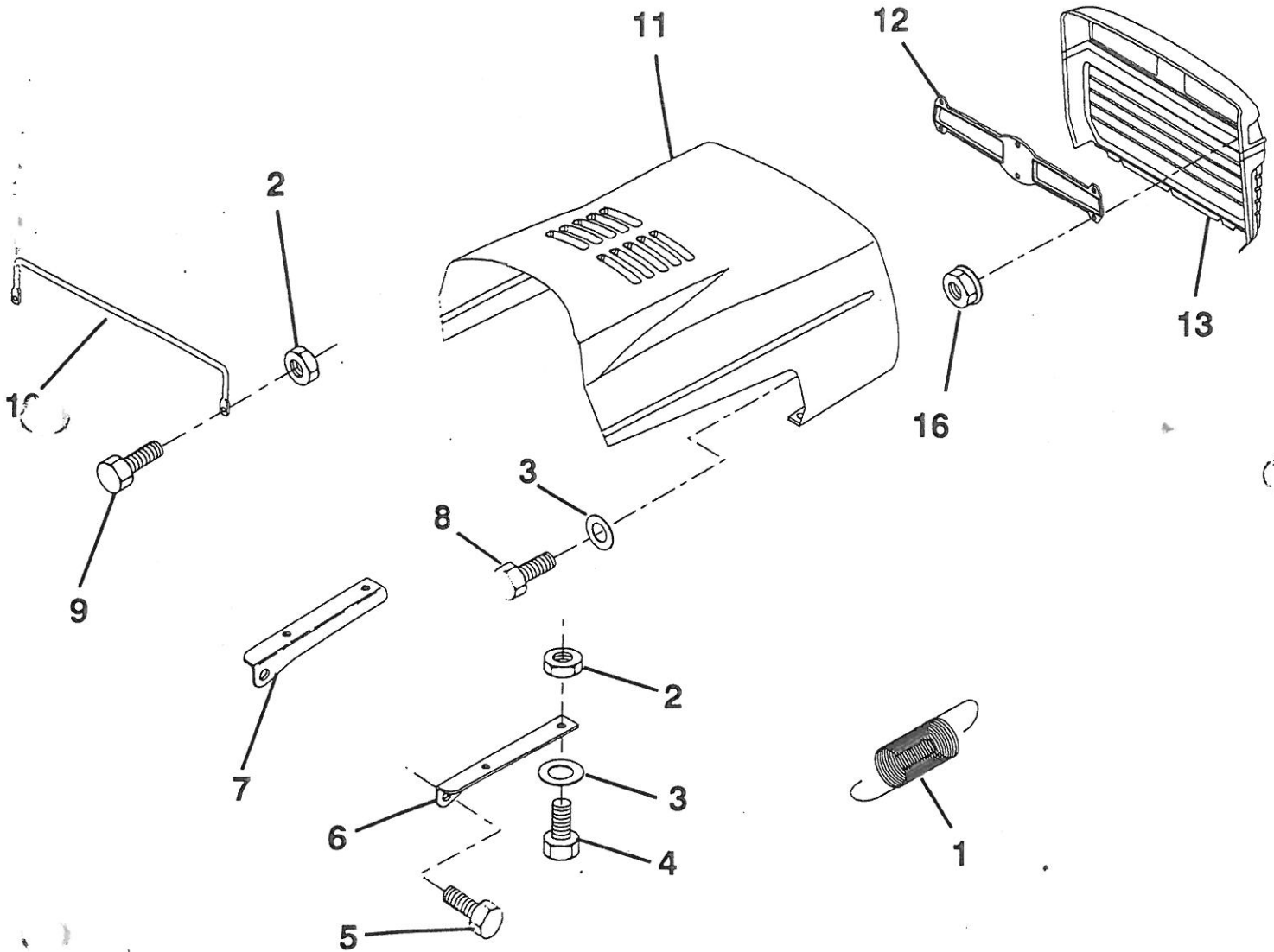
* STANDARD HARDWARE - - PURCHASE*LOCALLY
NOTE: All component dimensions given in U.S. inches
1 inch = 25.4 mm

HARDWARE SHOWN LARGER FOR EASIER IDENTIFICATION

REPAIR PARTS

10 HP 36" LAWN RIDER - - MODEL NUMBER RE10L36B

HOOD



KEY NO.	PART NO.	DESCRIPTION
1	124657X	Spring, Extension
2	73510400	* Nut, Hex, Keps 1/4-20 UNC
3	19091016	* Washer 9/32 x 5/8 x 16 Gauge
4	74780410	* Bolt, Hex, Fin 1/4-20 UNC x 5/8 Grade 5
5	126675X	Bolt, Shoulder
6	122549X	Bracket, Hood, R.H.
7	122548X	Bracket, Hood, L.H.
8	17411310	Screw, Hex, Fin #13-16 Hi-Lo x 5/8
9	74780412	* Bolt, Hex, Fin 1/4-20 x 3/4 Grade 5
10	123693X	Brace, Hood

KEY NO.	PART NO.	DESCRIPTION
11	132918X419	Hood
12	127178	Lens
13	134232X507	Grill
16	124346X	Nut, Self-Threading 3/16

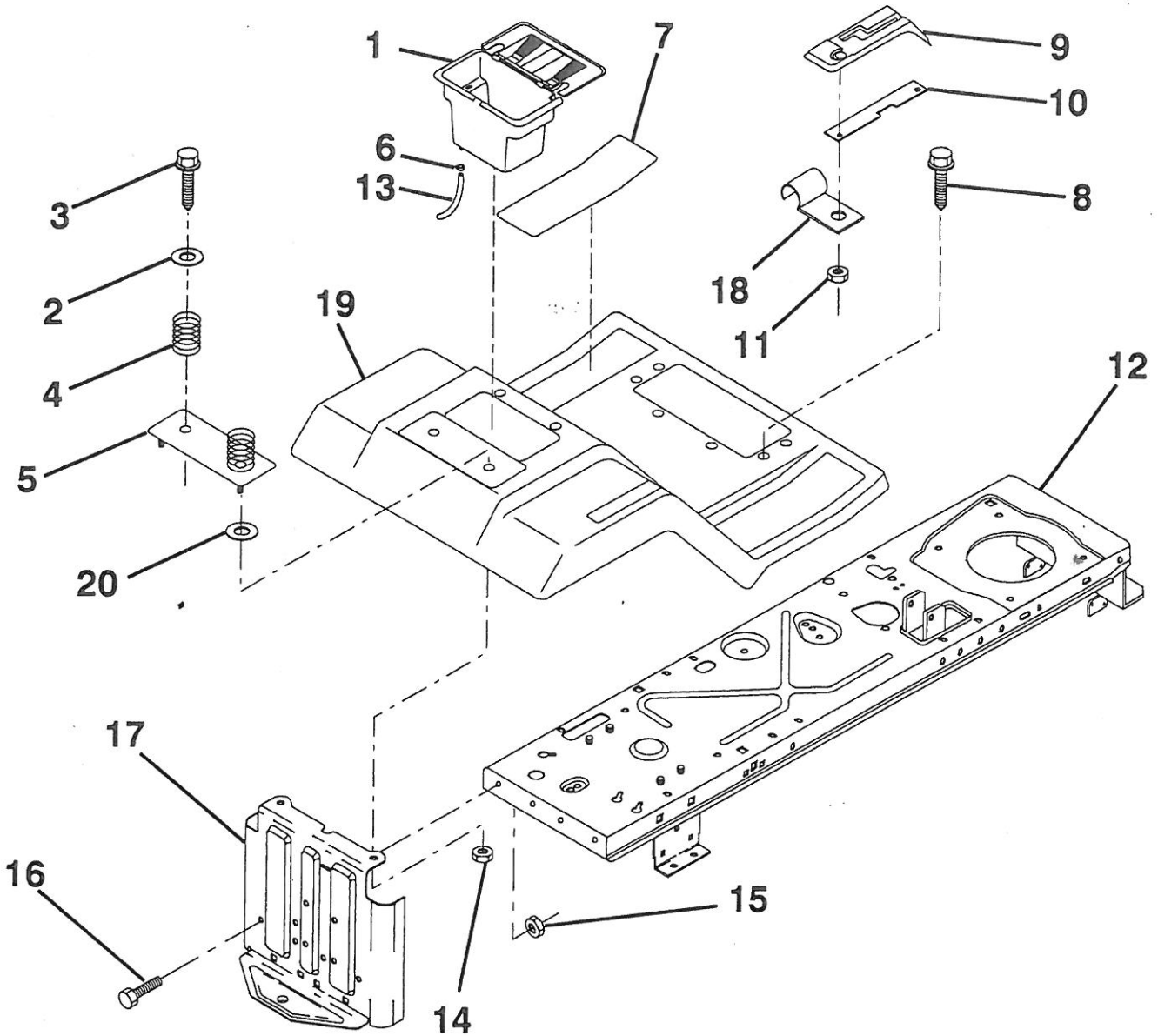
* STANDARD HARDWARE - - PURCHASE LOCALLY
 NOTE: All component dimensions given in U.S. inches.
 1 inch = 25.4 mm

HARDWARE SHOWN LARGER FOR EASIER IDENTIFICATION

REPAIR PARTS

10 HP 36" LAWN RIDER - - MODEL NUMBER RE10L36B

FENDER / CHASSIS



KEY NO.	PART NO.	DESCRIPTION
1	129965	Case, Battery
2	19132012	Washer 13/32 x 1-1/4 x 12 Gauge
3	17490612	Screw, Hex Washer Head, Thd. Roll. 3/8-16 x 3/4
4	124181X	Spring, Compression, Seat
5	127115X419	Plate, Battery
6	109596X	Clamp, Hose
7	124144X	Pad, Footrest
8	17490512	Screw, Hex Washer Head, Thd. Roll. 5/16-18 x 3/4
9	126993X	Console, Shift Control
10	124602X	Bar, Shift Lock
11	124346X	Nut, Self-Threading 3/16

KEY NO.	PART NO.	DESCRIPTION
12	131880	Assembly, Frame
13	105687X	Tube, Battery Drain
14	73510400	Nut, Hex, Keps 1/4-20
15	73680500	* Nut, Crownlock 5/16-18
16	74760512	* Bolt, Hex 5/16-18 UNC x 3/4
17	127880	Drawbar
18	126470X	Clip, Insulated
19	128083X419	Fender/Footrest
20	19091413	Washer 9/32 x 7/8 x 13 Gauge

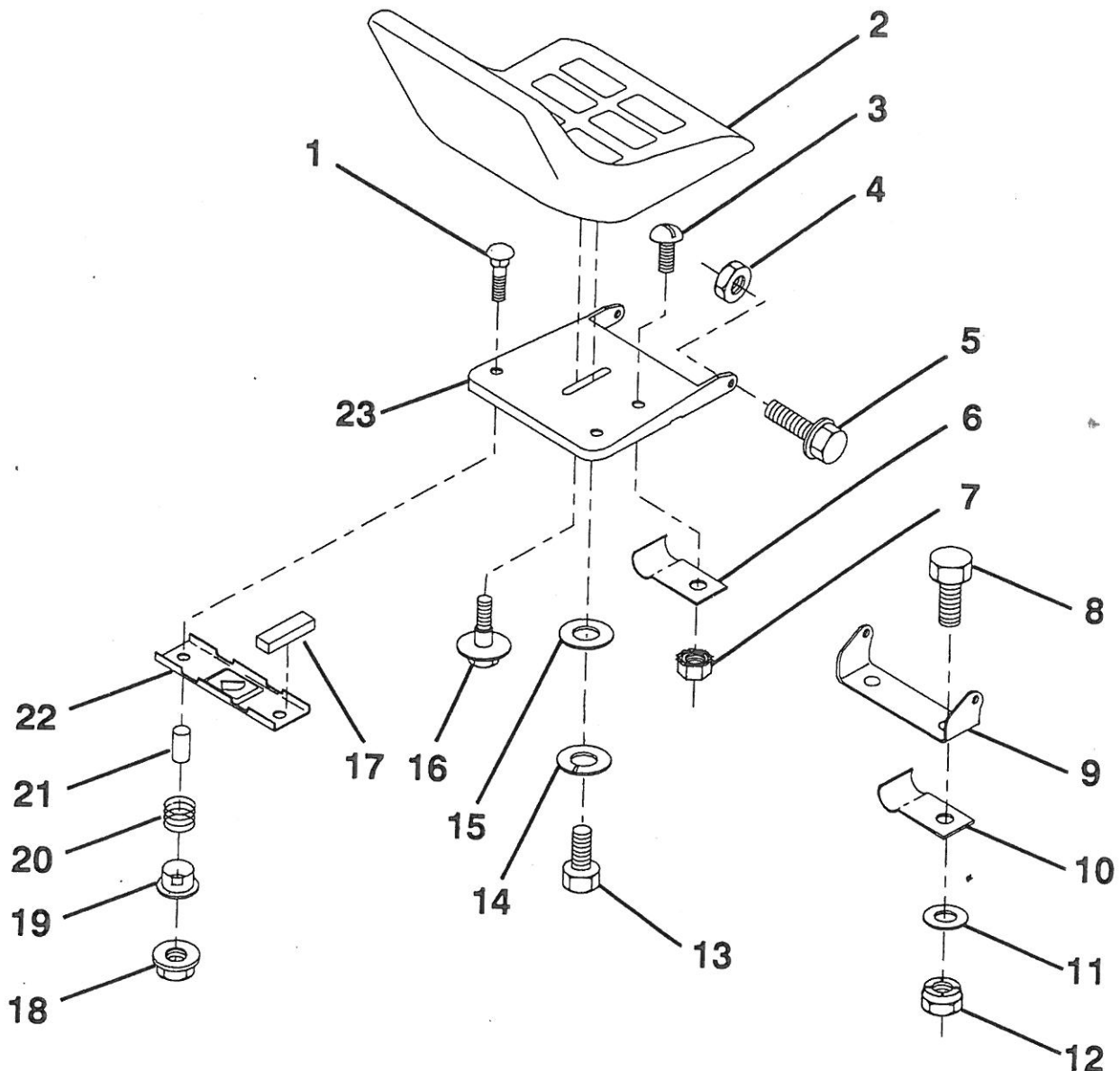
* STANDARD HARDWARE - - PURCHASE LOCALLY
 NOTE: All component dimensions given in U.S. inches.
 1 inch = 25.4 mm

HARDWARE SHOWN LARGER FOR EASIER IDENTIFICATION

REPAIR PARTS

10 HP 36" LAWN RIDER -- MODEL NUMBER RE10L36B

SEAT



KEY NO.	PART NO.	DESCRIPTION
1	72050411	Bolt, Carriage 1/4-20 x 1-3/8
2	134647	Seat
3	74641008	*Screw, Slotted Pan Head #10-32 x 1/2
4	73680500	*Nut, Crownlock 5/16-18
5	105529X	Bolt, Shoulder 5/16-18 UNC
6	4171R	Clip, Insulated
7	73951000	Nut, Keps #10-32 UNF
8	74760612	*Bolt, Hex, Fin 3/8-16 UNC x 3/4
9	126656X	Bracket, Pivot, Seat
10	126471X	Clip, Insulated
11	19131210	Washer 13/32 x 3/4 x 10 Gauge
12	73680600	*Nut, Crownlock 3/8-16 UNC

KEY NO.	PART NO.	DESCRIPTION
13	74780814	Bolt, Fin Hex 1/2 - 13 x 7/8 Gr. 5
14	10040800	Washer Lock Hvy HLCL Spr. 1/2
15	19171912	Washer 17/32 x 13/16 x 12 Gauge
16	127018X	Bolt, Shoulder
17	121251X	Strip, Foam
18	123976X	Locknut, Hex, Large, Flange
19	121248X	Bushing, Snap
20	121250X	Spring, Compression
21	121249X	Spacer, Split, Large .28 Id. x .88
22	121246X	Bracket, Switch, Mounting
23	131451	Pan, Seat

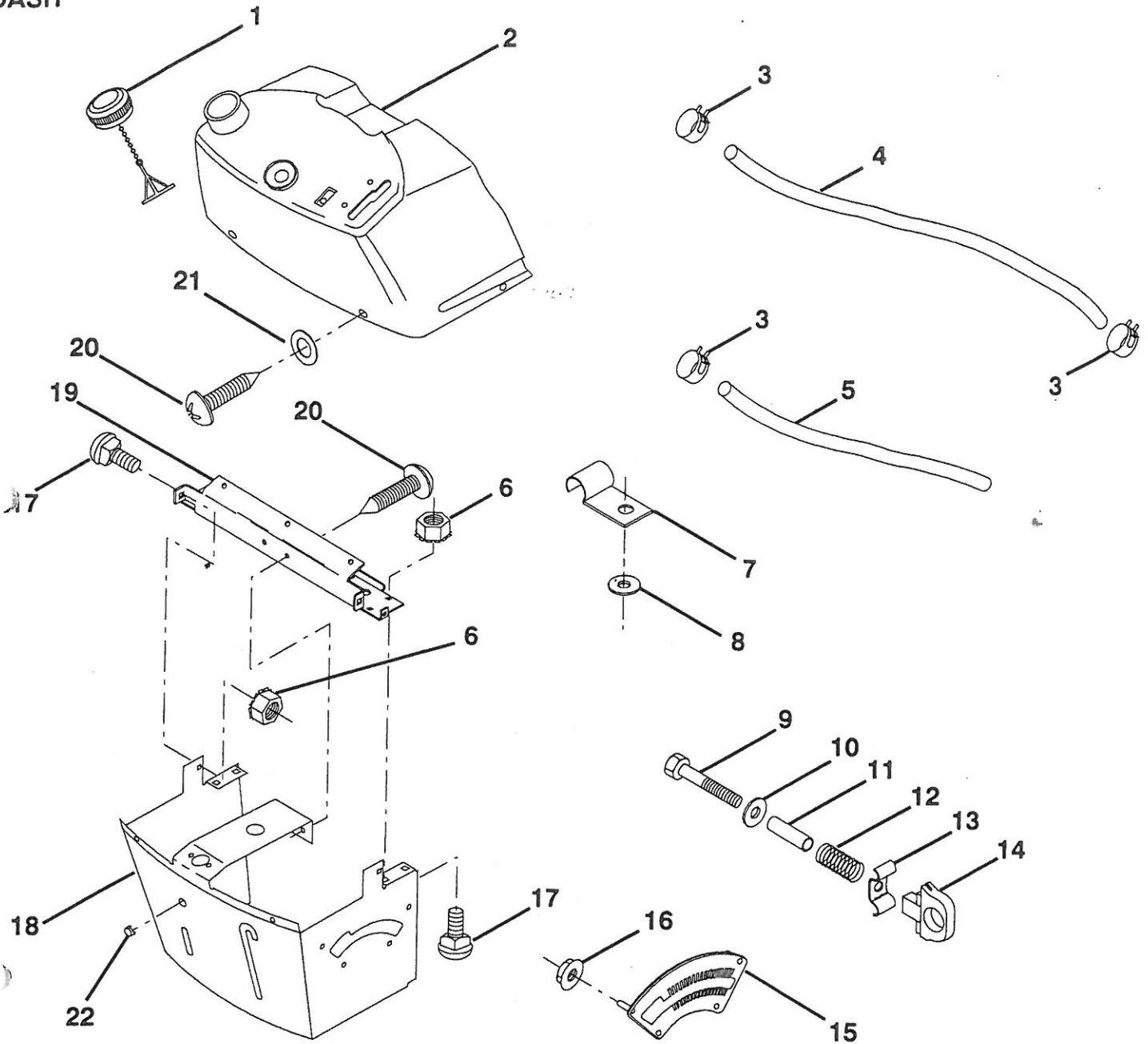
* STANDARD HARDWARE -- PURCHASE LOCALLY
 NOTE: All component dimensions given in U.S. inches.
 1 inch = 25.4 mm

HARDWARE SHOWN LARGER FOR EASIER IDENTIFICATION

REPAIR PARTS

10 HP 36" LAWN RIDER - - MODEL NUMBER RE10L36B

DASH



KEY NO.	PART NO.	DESCRIPTION
1	122015X	Cap, Fuel
2	130913	Assembly, Dash & Fuel Tank
3	123487X	Clamp, Hose
4	8544R	Line, Fuel
5	8548R	Line, Fuel
6	73510400	* Nut, Hex, Keps 1/4-20
7	2751R	Clip, Fuel Line
8	19091216	* Washer 9/32 x 3/4 x 16 Gauge
9	74760428	Bolt, Hex, Fin. 1/4-20 x 1-3/4
10	19091413	Washer 11/32 x 11/16 x 16 Gauge
11	121249X	Spacer, Split
12	3720R	Spring

KEY NO.	PART NO.	DESCRIPTION
13	126450X	Clip, Height Adjustment
14	126115X	Knob, Height Stop
15	122023X	Adjustment, Quadrant Height
16	124346X	Nut, Self-Threading 3/16-18
17	72110404	* Bolt, Carriage 1/4-20 x 1/2 Grade 5
18	130745	Support Assembly, Dash
19	134744	Brace, Cross
20	18000408	Screw, Self-Tapping 1/4-20 x 1/2
21	19090816	Washer 9/32 x 1/2 x 16 Gauge
22	134014	Plug, Dome

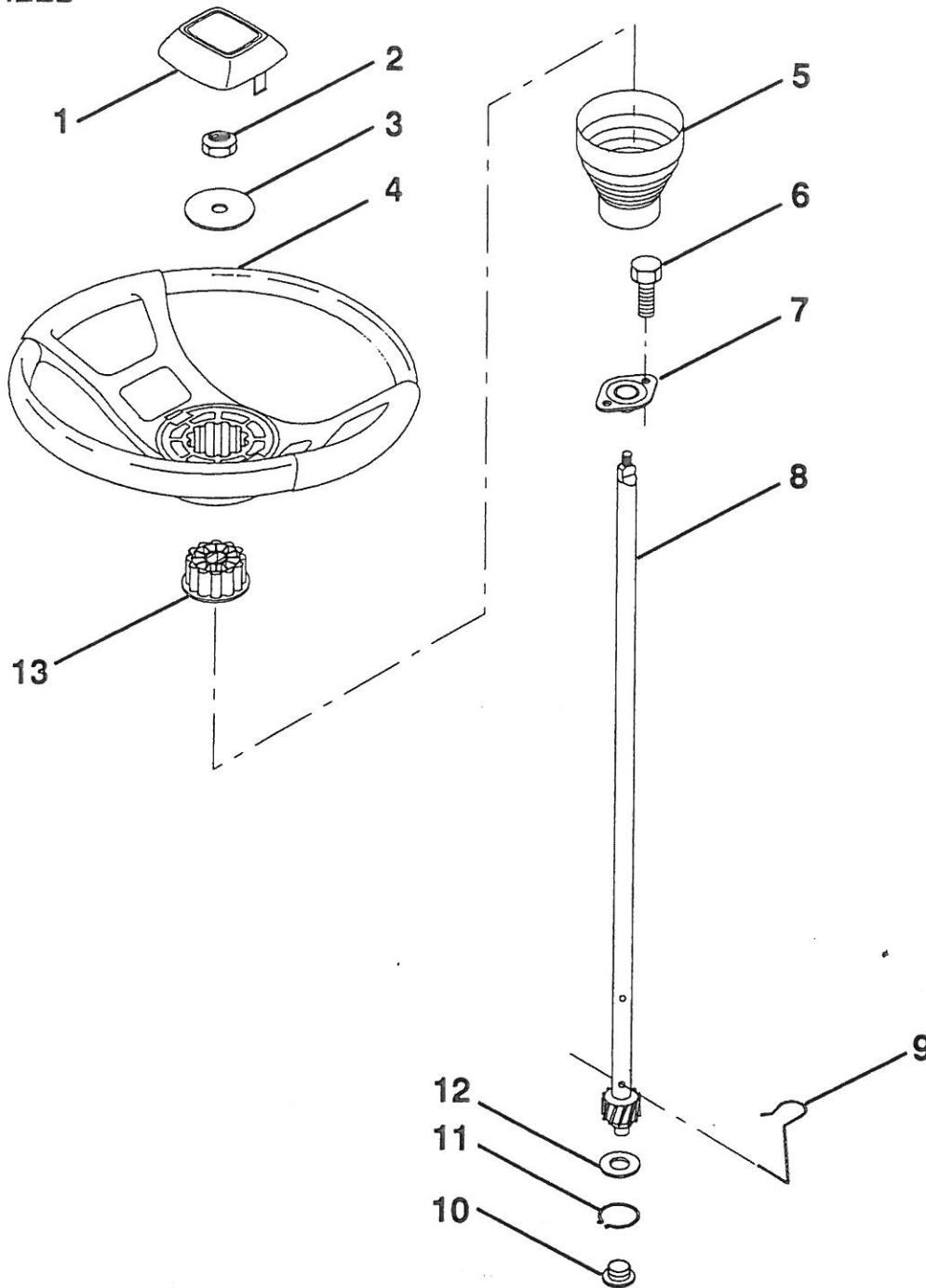
* STANDARD HARDWARE - - PURCHASE LOCALLY
 NOTE: All component dimensions given in U.S. inches.
 1 inch = 25.4 mm

HARDWARE SHOWN LARGER FOR EASIER IDENTIFICATION

REPAIR PARTS

10 HP 36" LAWN RIDER - - MODEL NUMBER RE10L36B

STEERING WHEEL



KEY NO.	PART NO.	DESCRIPTION
1	100710L	Insert, Steering Wheel
2	7810H	* Locknut 3/8-24 UNF
3	19133808	Washer 13/32 x 2-3/8 x 8 Gauge
4	100713N	Wheel, Steering
5	121897X	Sleeve, Steering
6	17431008	* Screw, Hex Self-Tapping #10-16 x 1/2
7	102803X	Bushing, Steering
8	123651X	Shaft, Steering

KEY NO.	PART NO.	DESCRIPTION
9	124210X	Clip, Steering
10	123438X	Bushing, Lower, Steering
11	12000045	Ring, Retaining
12	19211616	* Washer 21/32 x 1 x 16 Gauge
13	104820X	Adaptor, Steering Wheel

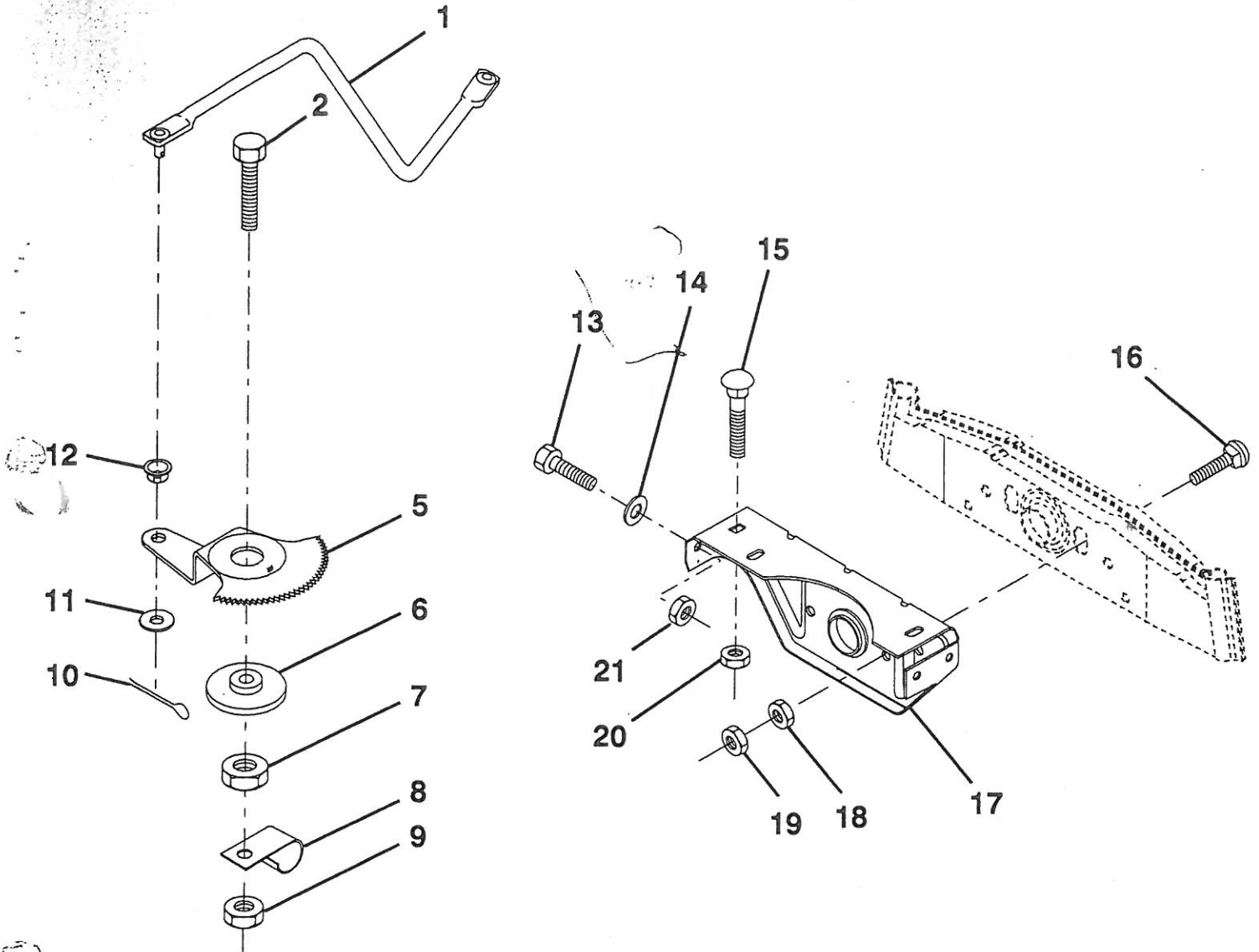
* STANDARD HARDWARE - - PURCHASE LOCALLY
 NOTE: All component dimensions given in U.S. inch
 1 inch = 25.4 mm

HARDWARE SHOWN LARGER FOR EASIER IDENTIFICATION

REPAIR PARTS

10 HP 36" LAWN RIDER - - MODEL NUMBER RE10L36B

SECTOR GEAR / AXLE SUPPORT



KEY NO.	PART NO.	DESCRIPTION
1	123566X	Link, Drag
2	74780828	Bolt, Hex, Fin. 1/2-13 x 1-3/4
5	121926X	Gear, Sector
6	121927X	Bushing
7	73030800	Nut, Heavy, Hex, Top Lock 1/2-13 UNC
8	126472X	Clip, Wire
9	73680800	Nut, Crownlock 1/2-13
10	76020412	* Pin, Cotter 1/8 x 3/4
11	19131316	* Washer 13/32 x 13/16 x 16 Gauge

KEY NO.	PART NO.	DESCRIPTION
12	126847X	Bushing
13	74760512	* Bolt, Hex Hd. 5/16-18 x 3/4
14	19111416	Washer 11/32 x 7/8 x 16 Gauge
15	72110606	* Bolt, Carriage 3/8-16 UNC x 3/4
16	72140622	Bolt, Carriage 3/8-16 x 2-3/4
17	121912X	Support, Front Axle
18	73220600	* Nut, Hex, Fin. 3/8-16 UNC
19	73930600	Nut, Centerlock 3/8-16 UNC
20	73680600	* Nut, Crownlock 3/8-16 UNC
21	73680500	* Nut, Crownlock 5/16-18

* STANDARD HARDWARE - - PURCHASE LOCALLY

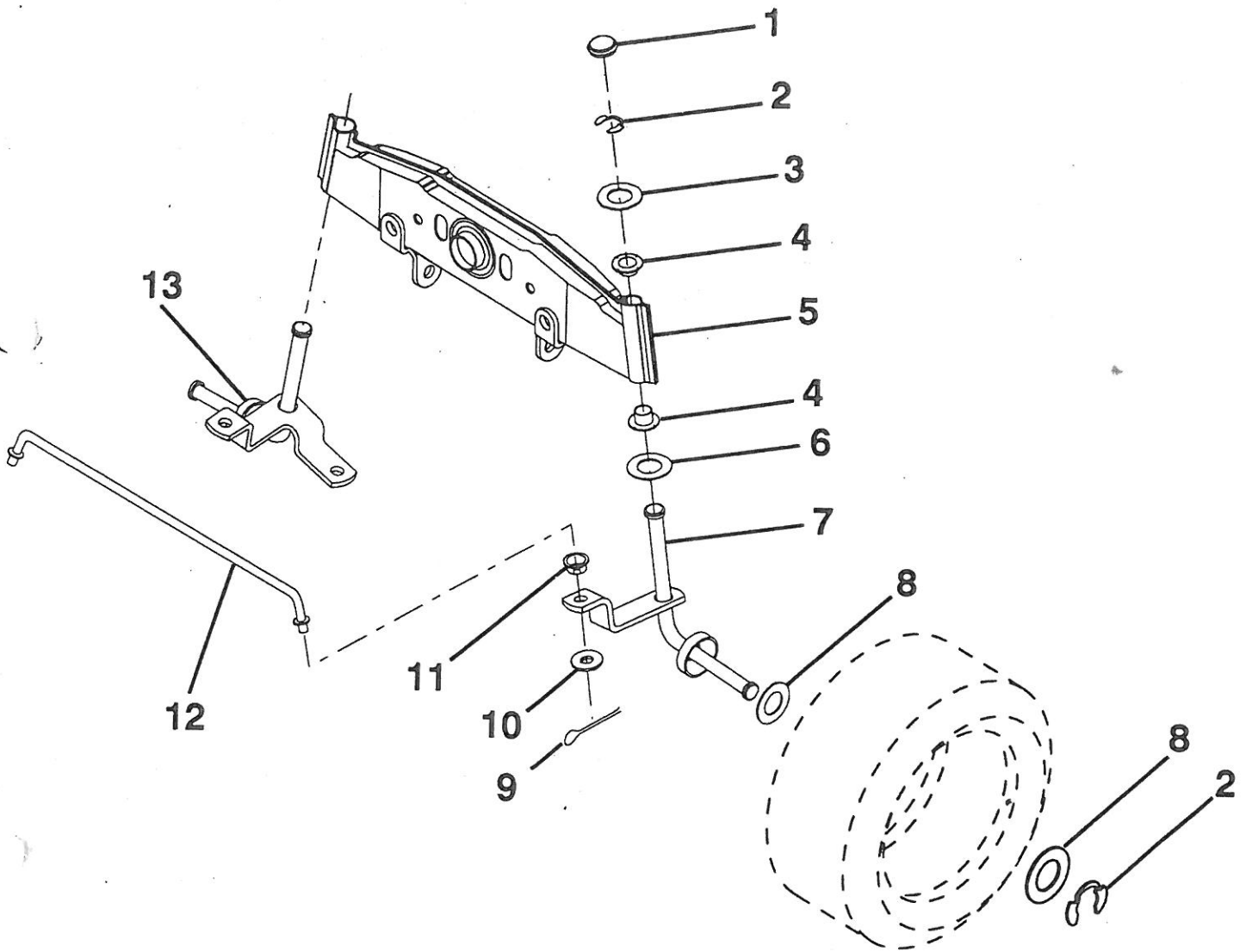
NOTE: All component dimensions given in U.S. inches.
1 inch = 25.4 mm

HARDWARE SHOWN LARGER FOR EASIER IDENTIFICATION

REPAIR PARTS

10 HP 36" LAWN RIDER -- MODEL NUMBER RE10L36B

FRONT AXLE



KEY NO.	PART NO.	DESCRIPTION
1	121232X	Cap, Spindle
2	12000029	Ring, Klip
3	121748X	Washer 25/32 x 1-5/8 x 16 Gauge
4	121922X	Nyliner
5	121914X	Axle, Front
6	6266H	Bearing, Thrust
7	121919X	Spindle Assembly, R.H.
8	121749X	Washer 25/32 x 1-1/4 x 16 Gauge
9	76020412	* Pin, Cotter 1/8 x 3/4

KEY NO.	PART NO.	DESCRIPTION
10	19131316	* Washer 13/32 x 13/16 x 16 Gauge
11	126847X	Bushing
12	121924X	Rod, Tie
13	121916X	Spindle Assembly, L.H.

* STANDARD HARDWARE -- PURCHASE LOCALLY

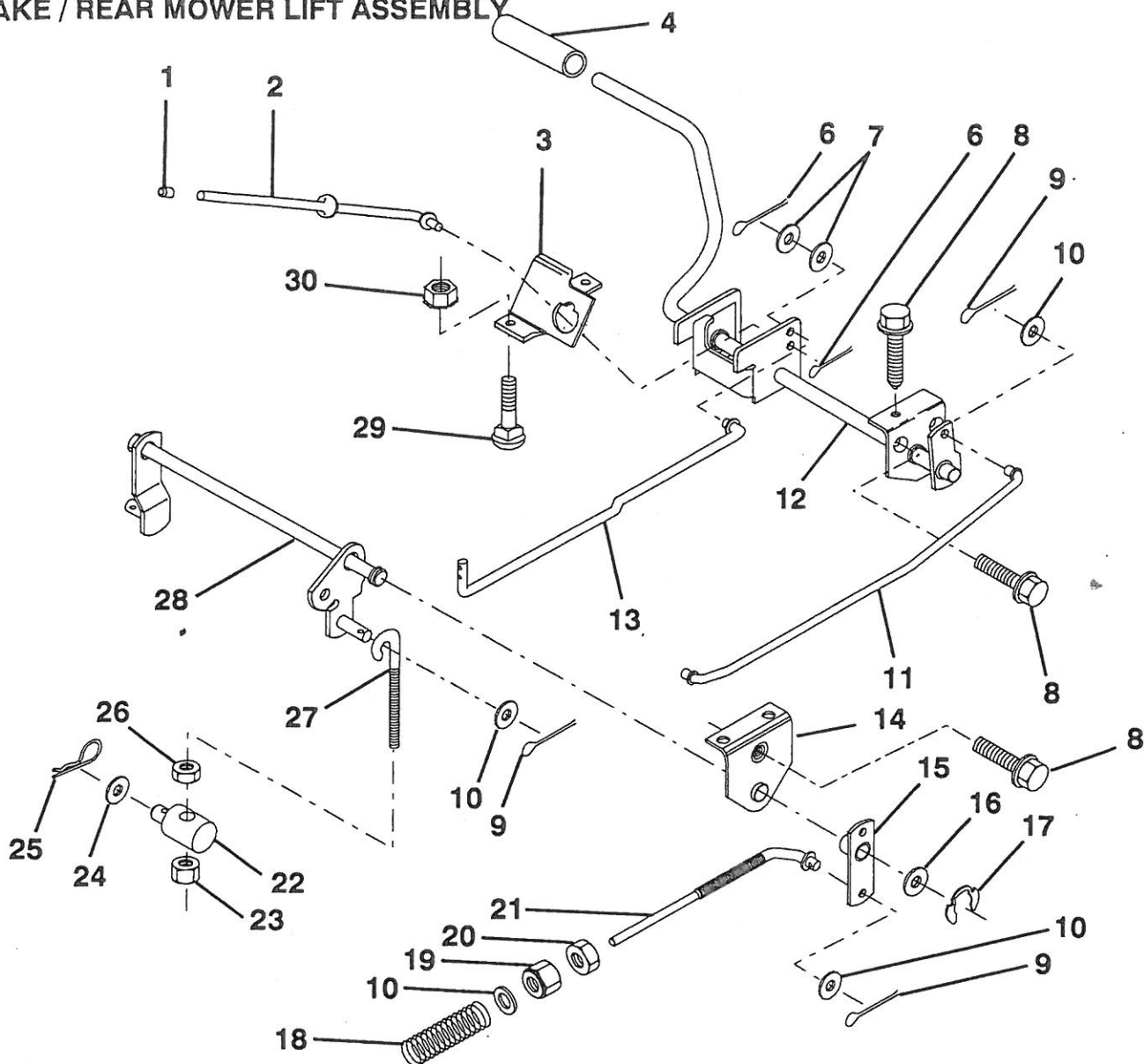
NOTE: All component dimensions given in U.S. inches
1 inch = 25.4 mm

HARDWARE SHOWN LARGER FOR EASIER IDENTIFICATION

REPAIR PARTS

10 HP 36" LAWN RIDER - - MODEL NUMBER RE10L36B

BRAKE / REAR MOWER LIFT ASSEMBLY



KEY NO.	PART NO.	DESCRIPTION	KEY NO.	PART NO.	DESCRIPTION
1	71673	Cap, Parking Brake	18	106888X	Spring, Brake Rod
2	123436X	Rod, Parking Brake	19	73800600	Locknut, Hex 3/8-16
3	123437X	Bracket, Parking Brake	20	73350600	* Nut, Hex, Jam 3/8-16 UNC
4	8156H	Cover, Pedal	21	131460	Rod, Rear Brake
6	76020312	* Pin, Cotter 3/32 x 3/4	22	127378	Trunnion, Lift
7	19131016	* Washer 13/32 x 5/8 x 16 Gauge	23	73680600	Nut, Crownlock 3/8-16 UNC
8	17490508	Screw, Hex, Thd. Roll. 5/16-18 x 1/2	24	19132012	Washer 13/32 x 1-1/4 x 12 Gauge
9	76020412	* Pin, Cotter 1/8 x 3/4	25	4921H	Spring, Retainer
10	19131316	* Washer 13/32 x 13/16 x 16 Gauge	26	73930600	* Nut, Centerlock 3/8-16 UNC
11	131656	Rod, Front Brake	27	127369	Link, Threaded
12	133483	Assembly, Clutch/Brake Pedal	28	127358	Assembly, Rear Mower Lift
13	123394X	Rod, Clutch	29	72110506	* Bolt, Carriage 5/16-18 UNC x 3/4
14	121978X	Bracket, Lift, Shaft	30	73510500	* Nut, Keps 5/16-18 UNC
15	133332	Assembly, Brake, Pivot, Arm			
16	19251816	Washer 25/32 x 1-1/8 x 16 Gauge			
17	12000034	Ring, Klip			

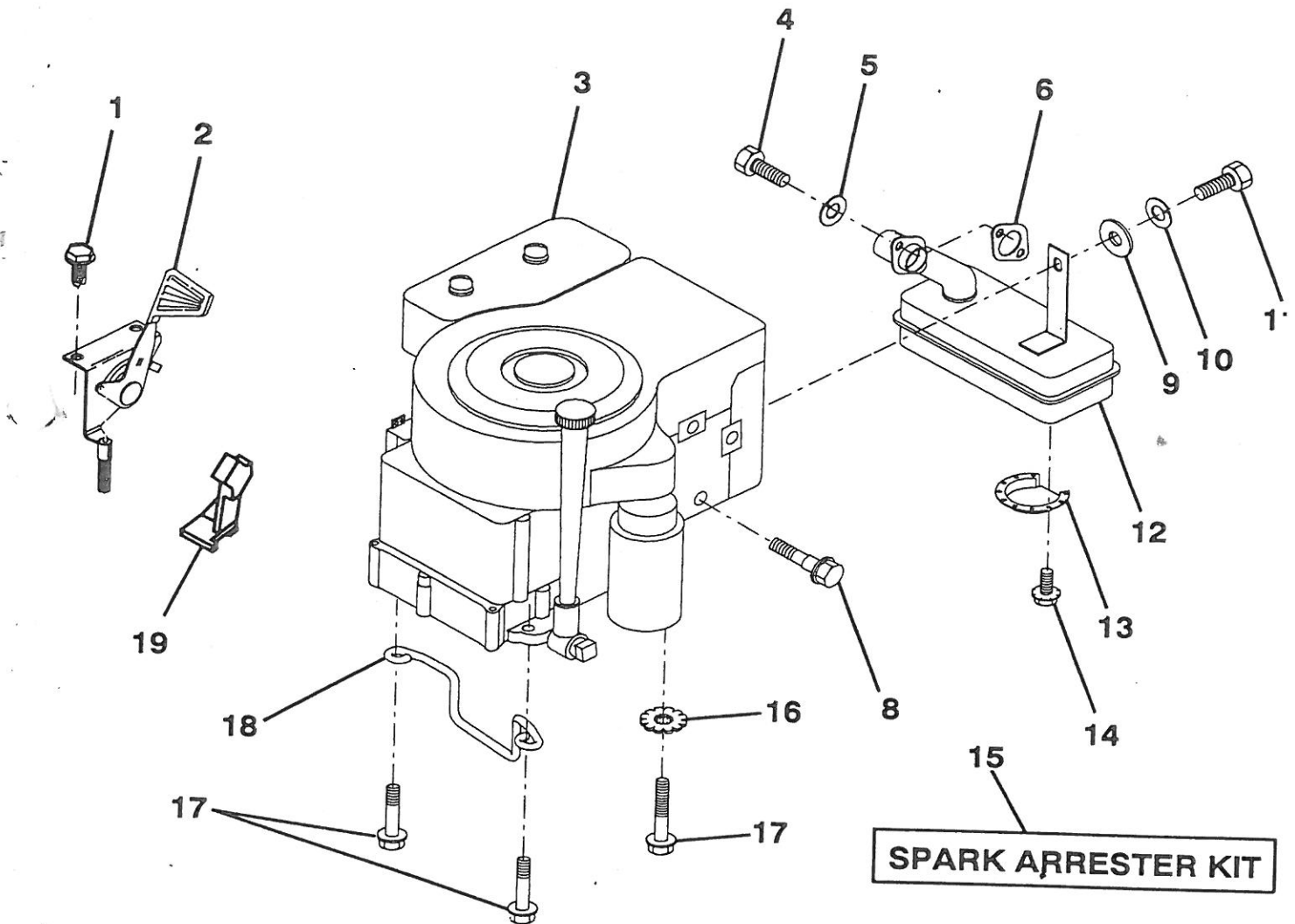
* STANDARD HARDWARE - - PURCHASE LOCALLY
 NOTE: All component dimensions given in U.S. inches
 1 inch = 25.4 mm

HARDWARE SHOWN LARGER FOR EASIER IDENTIFICATION

REPAIR PARTS

10 HP 36" LAWN RIDER - - MODEL NUMBER RE10L36B

ENGINE / THROTTLE



KEY PART NO. NO.

DESCRIPTION

1	17720408	Screw, Hex, Thread Cutting 1/4-20 x 1/2
2	133025	Control, Throttle
3	131995	Engine, Briggs and Stratton, 10 HP
4	71070512	Screw, Hex Head Cap 5/16-18 x 3/4
5	10040500	* Washer, Lock, Heavy Helical Spring 5/16
6	125593X	Gasket, Exhaust
8	121094X	Bolt, Shoulder 5/16 UNC
9	19101216	Washer 5/16 x 3/4 x 16 Gauge
10	10040400	* Washer, Lock, Heavy Helical Spring 1/4
11	74780420	* Bolt, Hex, Fin 1/4-20 UNC x 1-1/2
12	123676X	Muffler

KEY PART NO. NO.

DESCRIPTION

13	101326L	Deflector, Muffler
14	17030808	Screw, Hex, Spiderlock #8 x 1/2 ABTPS
15	121851X	Kit, Spark Arrester (Optional)
16	11050600	* Washer, Lock, External Tooth 3/8.
17	17490624	Screw, Hex Washer Head, Thd. Roll. 3/8-16 x 1-1/2
18	126636X	Keeper, Ground Drive Belt
19	133097	Stop, Throttle

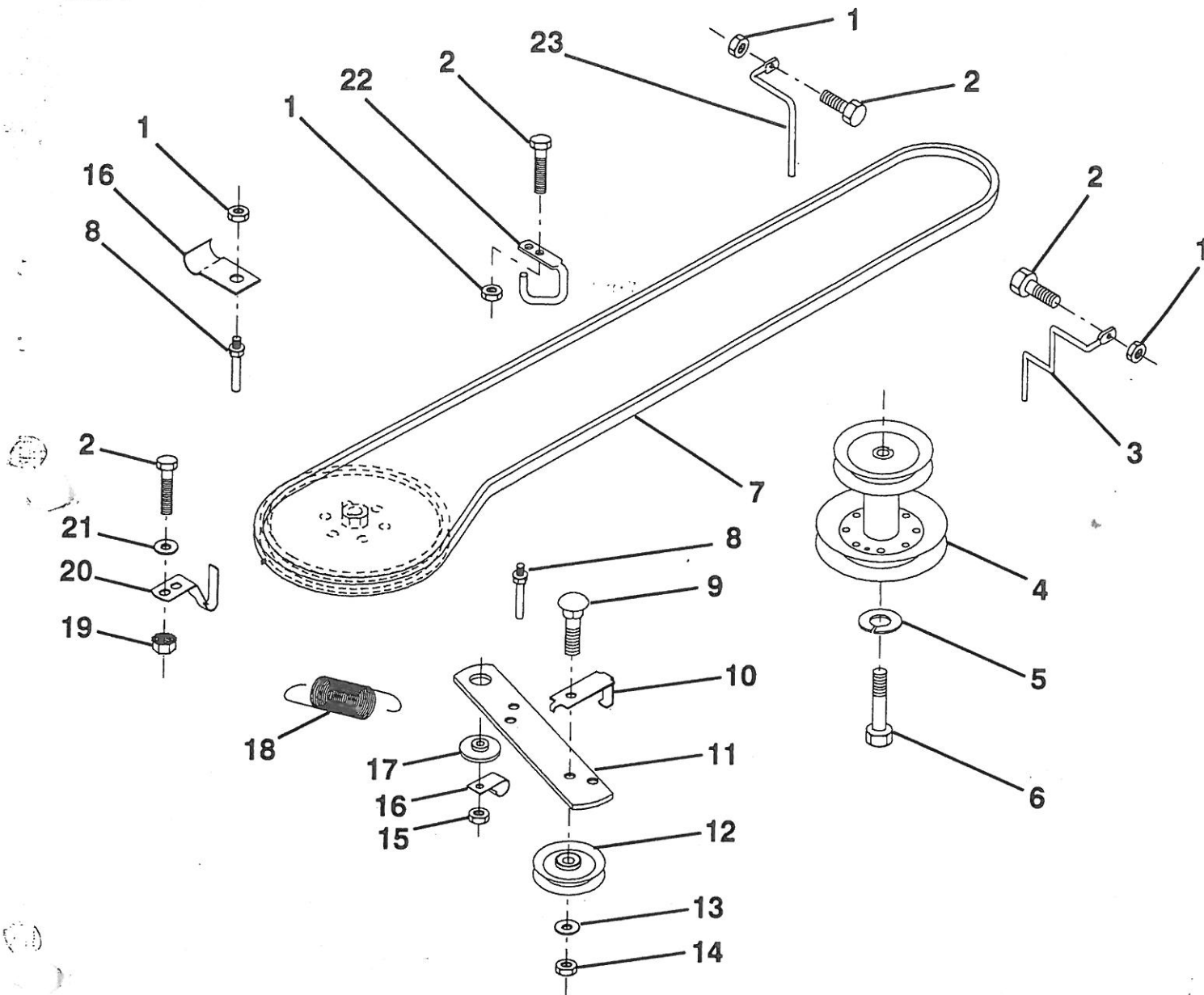
* STANDARD HARDWARE - - PURCHASE LOCALLY
NOTE: All component dimensions given in U.S. inches

HARDWARE SHOWN LARGER FOR EASIER IDENTIFICATION

REPAIR PARTS

10 HP 36" LAWN RIDER - - MODEL NUMBER RE10L36B

GROUND DRIVE



KEY
NO. PART
NO.

1 73680500
2 74760512
3 131205
4 134828
5 10040700
6 71170744
7 124525X
8 123405X
9 72140612
10 123396X
11 123395X
12 4859J

DESCRIPTION

* Nut, Crownlock 5/16-18
* Bolt, Hex 5/16-18 UNC x 3/4
Keeper, Mower Drive Belt, Engine, R.H.
Pulley, Engine
* Washer, Lock, Heavy Helical Spring 7/16
Bolt, Hex, 7/16-20 x 2-3/4 Grade 5
Traction, V-Belt Drive
Keeper, T/A Ground Drive Belt
Keeper, Ground Drive Belt, Frame
* Bolt, Carriage 3/8-16 UNC x 1-1/2
Keeper, Ground Drive Belt, Idler
Arm, Ground Drive Clutch
Idler, Flat

KEY
NO. PART
NO.

13 19131316
14 73930600
15 73680600
16 126471X
17 122052X
18 131459
19 73510500
20 123891X
21 19111016
22 123404X
23 131204

DESCRIPTION

* Washer 13/32 x 13/16 x 16 Gauge
Nut, Centerlock 3/8-16 UNC
* Nut, Crownlock 3/8-16 UNC
Clip, Insulated
Spacer, Retainer
Spring, Extension
* Nut, Keps 5/16-18 UNC
Keeper, T/A Ground Drive Belt
* Washer 11/32 x 5/8 x 16 Gauge
Keeper, Ground Drive Belt, Frame
Keeper, Mower Drive Belt, L.H.

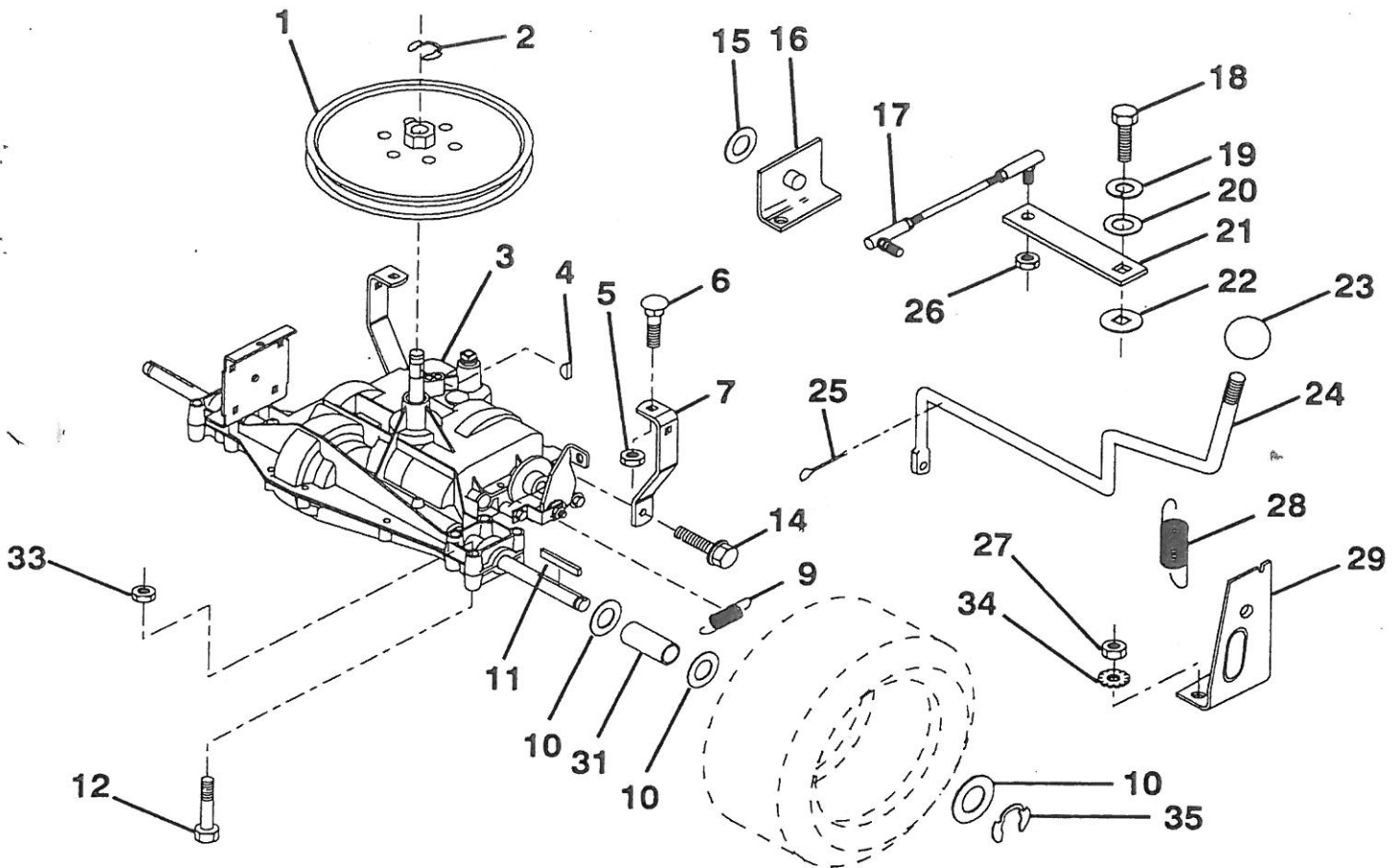
* STANDARD HARDWARE - - PURCHASE LOCALLY
NOTE: All component dimensions given in U.S. inches
1 inch = 25.4 mm

HARDWARE SHOWN LARGER FOR EASIER IDENTIFICATION

REPAIR PARTS

10 HP 36" LAWN RIDER - - MODEL NUMBER RE10L36B

TRANSAXLE



KEY	PART NO.	DESCRIPTION	KEY NO.	PART NO.	DESCRIPTION
1	123385X	Pulley	19	10040400	* Washer, Lock 1/4
2	12000028	Ring, Retainer	20	19091210	Washer 9/32 x 3/4 x 10 Gauge
3	123383X	Transaxle Model Number 4360-15	21	123484X	Arm, Shift
4	2228M	* Key, Woodruff #9	22	105701X	Washer, Shift Plate
5	73680500	* Nut, Crownlock 5/16-18	23	106933X	Knob, Shift Control
6	72140506	* Bolt, Carriage 5/16-18 UNC x 3/4	24	128215	Handle, Rod
7	123378X	Strap, Torque	25	76020416	* Pin, Cotter 1/8 x 1
8	110422X	Spring, Brake	26	73810500	* Nut, Hex, Nylon 5/16-24 UNF
9	121749X	Washer 25/32 x 1-1/4 x 16 Gauge	27	73510500	* Nut, Keps 5/16-18
10	123583X	Key, Square	28	128085	Spring, Extension
11	123583X	Key, Square	29	128084	Support, Handle, Shift, R.H.
12	74760644	Bolt Fin Hex 5/16-18 x 2-1/2	31	123409X	Spacer, Split
14	17490512	Screw 5/16-18 x 3/4	33	73680600	Nut, Crownlock 3/8 - 16 UNC
15	19171616	Washer 17/32 x 16 Ga.	34	11050500	Washer, Lock, External Tooth 5/16
16	124600X	Support, Handle, Shift, L.H.	35	12000001	E-Ring
17	126293X	Link, Shift			
18	71040412	Bolt, Hex, Fin. 1/4-28 UNF x 3/4 Grade 8			

* STANDARD HARDWARE - - PURCHASE LOCALLY

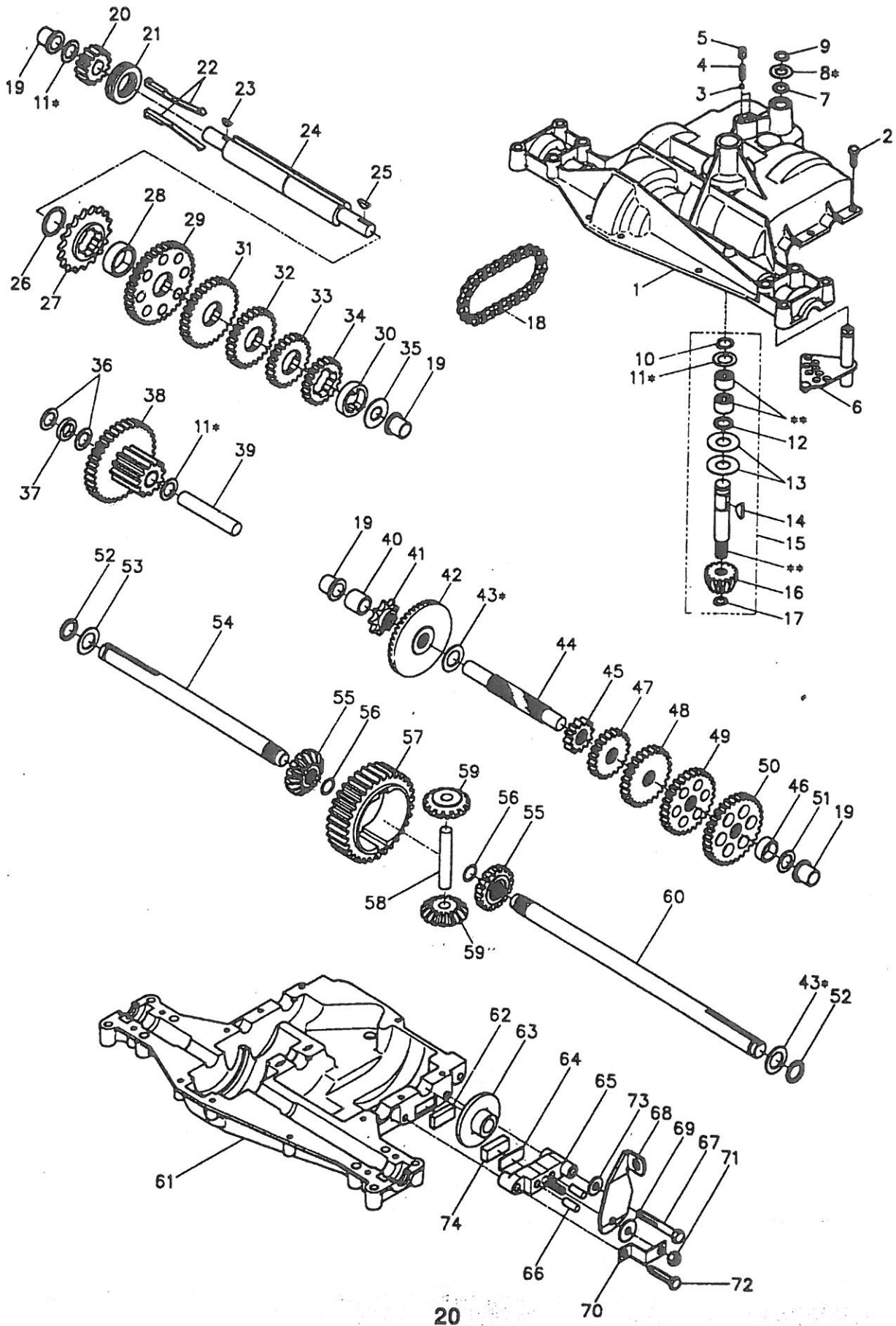
NOTE: All component dimensions given in U.S. inches
1 inch = 25.4 mm

HARDWARE SHOWN LARGER FOR EASIER IDENTIFICATION

REPAIR PARTS

10 HP 36" LAWN RIDER - - MODEL NUMBER RE10L36B

FOOTE TRANSAXLE - MODEL NUMBER 4360-15



REPAIR PARTS

10 HP 36" LAWN RIDER - - MODEL NUMBER RE10L36B

FOOTE TRANSAXLE - MODEL NUMBER 4360-15

KEY PART NO. NO.	DESCRIPTION	KEY PART NO. NO.	DESCRIPTION
1 3865	Housing, Upper	41 3645	Sprocket, 9 Teeth
2 1919	Screw, Tapping, Large 1/4-20 x .734	42 3853	Gear, Bevel, 42 Teeth
3 1151	Ball, Detent	43 3749	* Washer, Plain .758 x 1.12 x .010
4 3626	Spring, Detent	3652	* Washer, Plain .758 x 1.12 x .015
5 3623	Screw, Set	3693	* Washer, Plain .758 x 1.12 x .020
6 4336	Shifter Assembly	3653	* Washer, Plain .758 x 1.12 x .025
7 3884	O-Ring	3408	* Washer, Plain .758 x 1.25 x .020
8 3885	* Washer, Plain .505 x .942 x .006	3732	* Washer, Plain .758 x 1.25 x .025
3886	* Washer, Plain .505 x .942 x .010	3184	* Washer, Plain .758 x 1.25 x .031
3887	* Washer, Plain .505 x .942 x .015	3733	* Washer, Plain .758 x 1.25 x .035
3888	* Washer, Plain .505 x .942 x .020	3198	* Washer, Plain .758 x 1.25 x .040
3889	* Washer, Plain .505 x .942 x .026	3734	* Washer, Plain .758 x 1.25 x .045
3121	* Washer, Plain .505 x .942 x .030	3735	* Washer, Plain .758 x 1.25 x .050
3890	* Washer, Plain .505 x .942 x .040	3736	* Washer, Plain .758 x 1.25 x .055
9 1100	Ring, Retaining	3180	* Washer, Plain .758 x 1.25 x .062
10 1099	Ring, Retaining	44 3882	Shaft, Drive
11 1959	* Washer, Plain .632 x 1.00 x .010	45 3646	Gear, Spur, 12 Teeth
1441	* Washer, Plain .632 x 1.00 x .020	46 3684	Spacer .781 x 1.00 x .750
1423	* Washer, Plain .632 x 1.00 x .026	47 3866	Gear, Spur, 20 Teeth
1082	* Washer, Plain .632 x 1.00 x .031	48 3719	Gear, Spur, 25 Teeth
1424	* Washer, Plain .632 x 1.00 x .036	49 3906	Washer, Plain .343 x .81 x .059
1068	* Washer, Plain .632 x 1.00 x .041	50 3683	Gear, Spur, 31 Teeth
1425	* Washer, Plain .632 x 1.00 x .046	51 1145	Washer, Plain .632 x 1.00 x .060
1358	* Washer, Plain .632 x 1.00 x .050	52 3191	Seal, Felt
1145	* Washer, Plain .632 x 1.00 x .060	53 3180	Washer, Plain .758 x 1.25 x .062
1319	* Washer, Plain .632 x 1.00 x .082	54 3980	Axle, Left Hand
12 3312	O-Ring	55 3780	Gear, Miter, 15 Teeth
13 3876	Washer, Plain .632 x 1.38 x .046	56 3656	Ring, Retaining
14 1374	Key, Woodruff #9	57 3839	Gear, Spur, 32 Teeth
15 4134	Kit, Input Shaft Assembly	58 3919	Shaft, Cross
16 3590	Pinion, Bevel, 14 Teeth	59 3781	Gear, Miter, 15 Teeth
17 3624	Ring, Retaining	60 3981	Axle, Right Hand
18 3625	Chain, 24 Pitches	61 3864	Housing, Lower
19 1542	Bearing, Flange	62 3920	Puck, Friction
20 3773	Gear, Spur, 14 Teeth	63 3276	Brake, Disc
21 3631	Collar, Clutch	64 3758	Spacer
22 3828	Key, Clutch	65 3916	Jaw, Brake
23 1369	Key, Woodruff #3	66 3843	Pin, Dowel
24 3883	Shaft, Intermediate	67 3915	Screw, Tapping, Large 5/16-18 x 2.25
25 1375	Key, Woodruff #61	68 3768	Lever, Actuating
26 3627	Ring, Retaining	69 3760	Washer, Plain .321 x 1.00 x .055
27 3830	Sprocket, 18 Teeth	70 3917	Bracket, Anti-Rotation
28 3841	Spacer	71 3847	Locknut 5/16-24
29 3786	Gear, Spur, 37 Teeth	72 3724	Screw, Tapping, Large 5/16-18 x 1.44
30 3685	Spacer 1.133 x 1.50 x .750	73 4300	Grease
31 3867	Gear, Spur, 30 Teeth		
32 3783	Gear, Spur, 25 Teeth		
33 3907	Puck, Friction		
34 3741	Gear, Spur, 19 Teeth		
35 3628	Washer, Plain .640 x 1.37 x .061		
36 1423	Washer, Plain .632 x 1.00 x .026		
37 3422	Spacer .630 x 1.00 x .169		
38 4286	Assembly, Gear, Combination of 12 Teeth and 35 Teeth		
39 3877	Shaft, Idler		
40 3901	Spacer .635 x .875 x .755		

* Use In Various Combinations to Maintain Proper Clearances

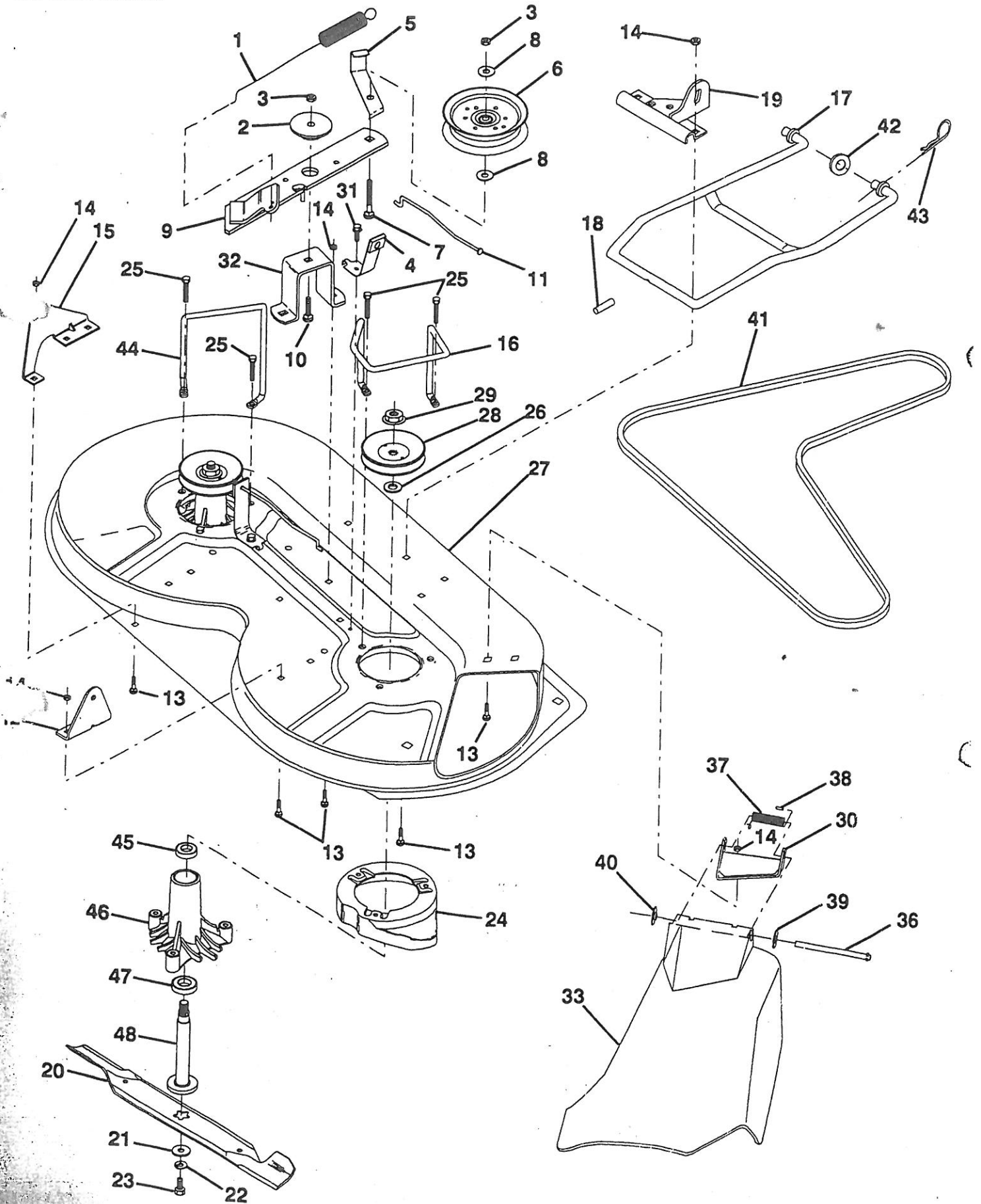
** Order Key Number 15

NOTE: All component dimensions given in U.S. inches
1 inch = 25.4 mm

REPAIR PARTS

10 HP 36" LAWN RIDER - - MODEL NUMBER RE10L36B

MOWER DECK



REPAIR PARTS

10 HP 36" LAWN RIDER - - MODEL NUMBER RE10L36B

MOWER DECK

KEY NO.	PART NO.	DESCRIPTION	KEY NO.	PART NO.	DESCRIPTION
1	127743	Spring, Mower Clutch	27	129983	Housing, Mower
2	122052X	Spacer, Retainer	28	129207	Pulley, Mandrel
3	73680600	* Nut, Crownlock 3/8-16 UNC	29	73050900	Nut, Flangelock 9/16
4	130840	Assembly, Brake	30	126361X	Bracket, Deflector
5	131251	Guide, Belt Idler	31	17490508	Screw, Hex Washer Head, Thd. Roll. 5/16-18 x 1/2
6	121316X	Idler, Flat	32	122051X	Arm, Support Idler, Mower
7	72110616	Bolt, Carriage 3/8-16 x 2 Grade 5	33	131560	Shield, Deflector
8	19131410	Washer 13/32 x 7/8 x 10 Gauge	36	121980X	Rod, Hinge
9	127744	Assembly, Mower Idler Arm	37	123713X	Spring, Torsion Deflector
10	72110608	Bolt, Carriage 3/8-16 UNC x 1	38	105304X	Cap, Sleeve
11	130841	Rod, Brake	39	19111016	Washer 11/32 x 5/8 x 16 Gauge
12	127356	Bracket, Rear Lift, R.H.	40	110452X	Nut, Push
13	72140505	* Bolt, Carriage 5/16-18 UNC x 5/8	41	131264	V-Belt
14	73680500	* Nut, Crownlock 5/16-18	42	19171616	Washer 11/32 x 5/8 x 16 Gauge
15	127357	Bracket, Rear Lift, L.H.	43	3146R	Clip, Hairpin
16	130837	Keeper, R.H.	44	130836	Keeper, L.H.
17	128508	Stabilizer, Mower Link	45	110485X	Bearing
18	128511	Pin, Drive	46	128774	Housing, Mandrel, Vented
19	127380	Bracket, Stabilizer Link	47	129895	Bearing
20	127841	Blade	48	133172	Shaft, Mandrel
21	129962	Washer, Hard	--	130794	Mandrel Assembly (Includes Key Numbers 22, 23, 26, 29 and 45-48)
22	10030600	* Washer, Lock, Heavy 3/8			
23	850857	Bolt 3/8-24 x 1-1/4 Grade 8			
24	128961	Stripper			
25	78158	Bolt 5/16-18 x 1-1/4			
26	129963	Washer .150 Thick			

* STANDARD HARDWARE - - PURCHASE LOCALLY

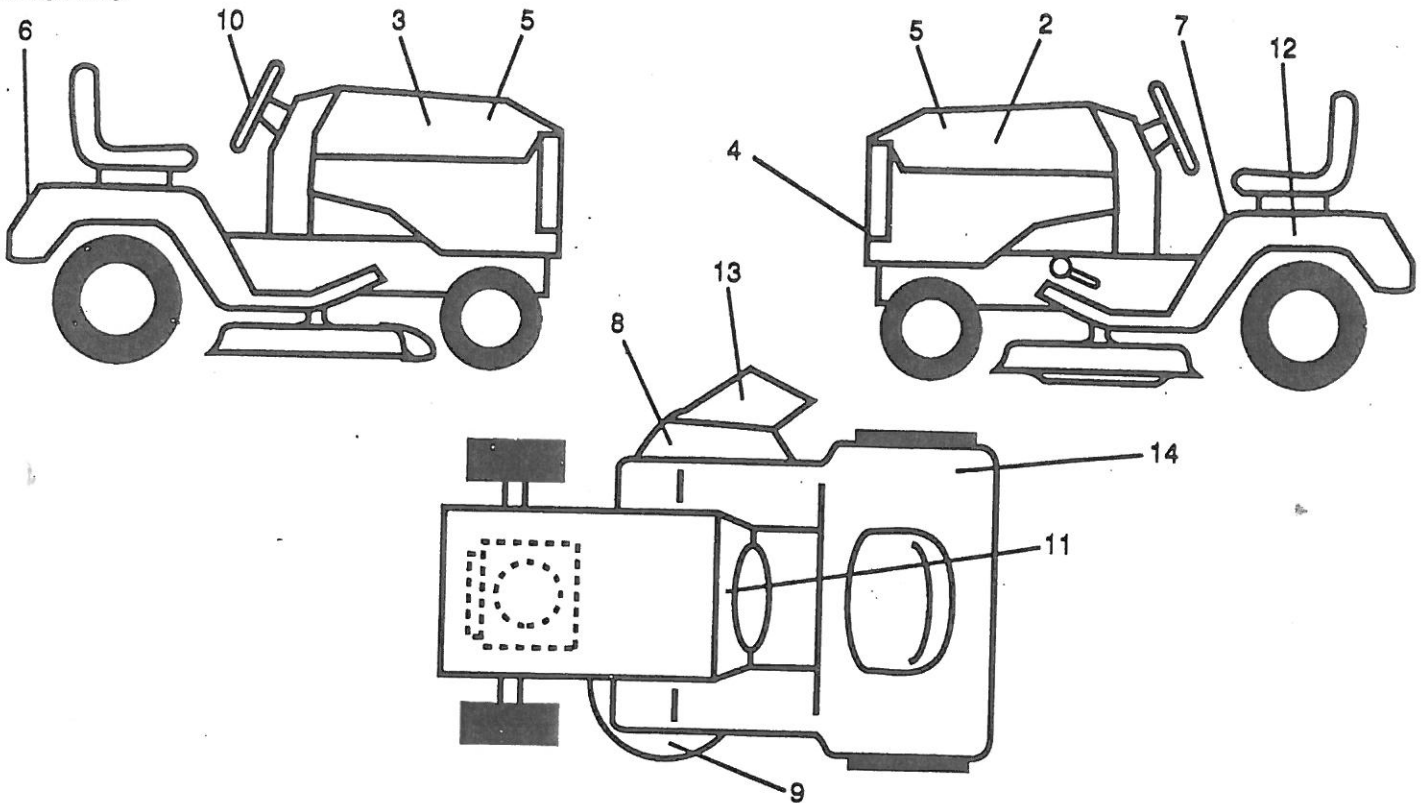
NOTE: All component dimensions given in U.S. inches
1 inch = 25.4 mm

HARDWARE SHOWN LARGER FOR EASIER IDENTIFICATION

REPAIR PARTS

10 HP 36" LAWN RIDER - - MODEL NUMBER RE10L36B

DECALS



KEY PART NO. NO.

2 130569
3 130568
4 132627
5 127032
6 132628
- 120822X
123658X

KEY PART

DESCRIPTION

Decal, Stripe, Hood, L.H.
Decal, Stripe, Hood, R.H.
Decal, Grill
Decal, HP, Hood
Decal, Fender
Decal, Caution
Decal, Danger

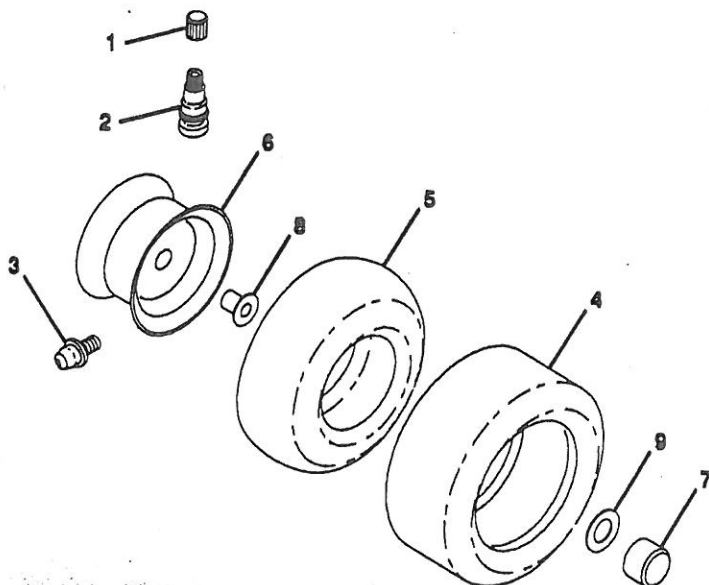
NO. NO.

9 109820X
10 127075
11 123637X
12 121549X
13 123649X
14 125690X
-- 133626
-- 131745
-- 134033

DESCRIPTION

Decal, Rotating Blades
Decal, Steering Wheel Insert
Decal, Operating Instructions
Decal, Caution, Battery
Decal, Warning, Deflector
Decal 100 DbA
Manual, Operator's (English)
Manual, Operator's (French)
Manual, Repair Parts (English/
French)

WHEELS



KEY PART NO. NO.

1 59192
2 65139
3 278H
4 124142X
5 124143X
5 59904
8134H
6 122394X311
123412X311
7 104757X
8 9040H
9 121748X

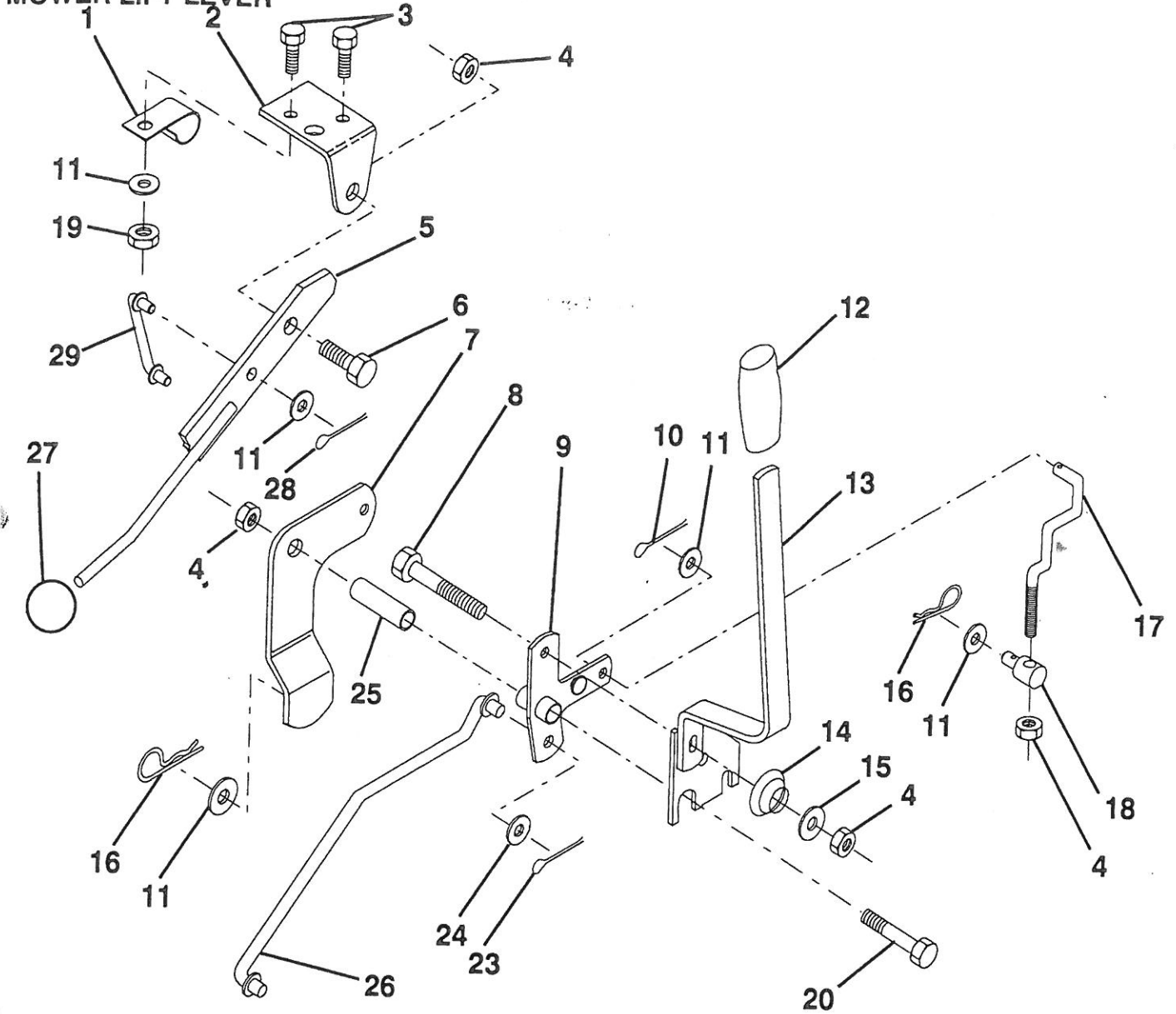
DESCRIPTION

Cap, Valve
Stem, Valve
Fitting, Grease (Front Only)
Tire, Front
Tire, Rear
Tube, Tire, Front
(Optional, Service Item Only)
Tube, Tire, Rear
(Optional, Service Item Only)
Rim Assembly, Front
Rim Assembly, Rear
Cap, Axle
Bearing, Flange (Front Only)
Washer, Axle Cap

REPAIR PARTS

10 HP 36" LAWN RIDER -- MODEL NUMBER RE10L36B

MOWER LIFT LEVER



KEY NO.	PART NO.	DESCRIPTION
1	126470X	Clip, Insulated
2	122018X	Bracket, Mower Clutch
3	74780408	Bolt, Hex, Fin 1/4-20 UNC x 1/2 Grade 5
4	73680600	* Nut, Crownlock 3/8-16 UNC
5	123417X	Assembly, Clutch Lever
6	106451X	Bolt, Shoulder
7	1235371	Assembly, Mower Clutch Arm
8	74760636	* Bolt, Hex 3/8-16 UNC x 2-1/4
9	121930X	Assembly, Bellcrank, Lift
10	76020412	Pin, Cotter 1/8 x 3/4
11	19131316	* Washer 13/32 x 13/16 x 16 Gauge
12	131861	Sleeve, Handle
13	127028	Assembly, Lift Handle
14	123496X	Spring, Compression
15	19131212	Washer 13/32 x 3/4 x 12 Gauge
16	4921H	Retainer, Spring

KEY NO.	PART NO.	DESCRIPTION
17	127359	Link, Front Lift
18	133205	Trunnion, Threaded 3/8-16
19	73680400	Nut, Crownlock 1/4-20
20	74760644	* Bolt, Hex, Fin. 3/8-16 UNC x 2-3/4
23	76020416	* Pin, Cotter 1/8 x 1
24	19171616	* Washer 17/32 x 1 x 16 Gauge
25	121933X	Tube, Spacer
26	121934X	Rod, Mower Lift
27	102701X	Grip
28	76020312	* Pin, Cotter 3/32 x 3/4
29	131655	Link, Mower Clutch

* STANDARD HARDWARE -- PURCHASE LOCALLY
 NOTE: All component dimensions given in U.S. inches
 1 inch = 25.4 mm

HARDWARE SHOWN LARGER FOR EASIER IDENTIFICATION