

# Masport®

## DOMESTIC ROTARY MOWERS

### SERIES 18 - OPC

Part Number	583773	300AL	Sprint 375
	583771	400AL	Quattro 40

Year of Manufacture: October 2006



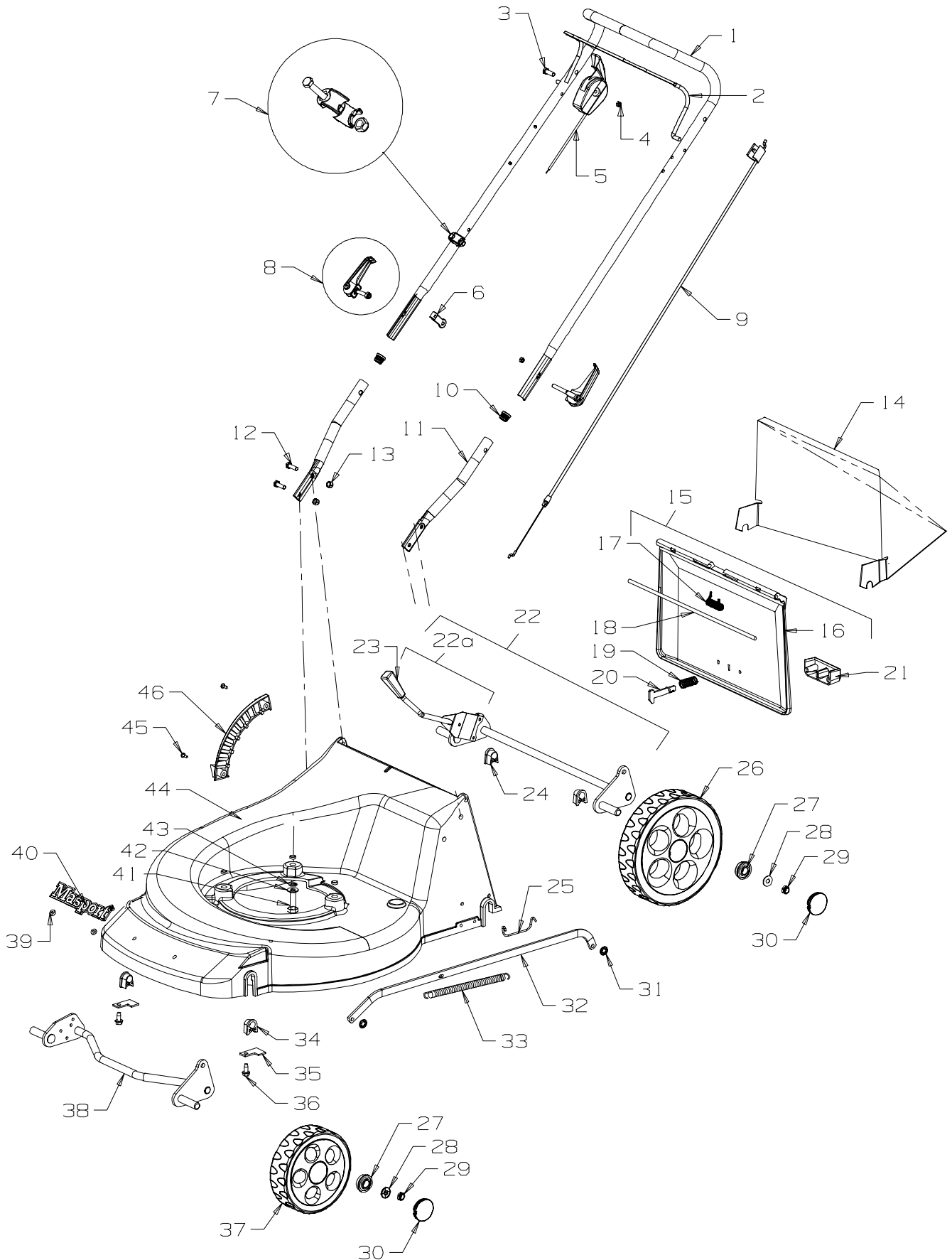


300.AL  
400.AL

Powered By: Briggs & Stratton - Classic 35  
Powered By: Briggs & Stratton - Quattro 40

# Masport

## SERIES - 18 OPC



When ordering PLEASE QUOTE PART NUMBER & Description, NOT Illustration No.  
Determine right or left hand side from standing in operating position (standing at handle)



300.AL  
400.AL

Powered By: Briggs & Stratton - Classic 35  
Powered By: Briggs & Stratton - Quattro 40

# Masport

**SERIES - 18 OPC**

Item No	Part No	Description	Qty	Item No	Part No	Description	Qty
1	981265	Handle-Upper,Upturned OPC Blk	1	26	579193	Wheel Assy-200mm,PB 5 Hole Sil	2
2	981740	Bail Arm Assy,OPC Flatd Blkp/C	1	#	579197	Wheel Assy-200mm,BB Spoke Sil	2
3	501764	Nut,M6 Hex Nyloc	2	27	551212	Bearing, Wheel	4
4	503604	Screw,Pan M 6X 45 POZ ZP	1	28	501606	Washer, Flat 8 x 19 x 1.6 ZP	4
5	583458	Control-Throttle,-Ve/Ch Wescon	1	29	503831	Nut, M 8 Hex Nyloc X 6Thk ZP	4
6	581527	Retainer-Control Cable-Handle	1	30	579194	Hub Cap-Button, 5 Hole PB -Silver	4
7	703856	<b>Comfort Start Kit</b>	1	#	579198	Hub Cap-Button, Spoked-Silver	4
8	980456	<b>Cam Lock Assembly</b>	1	31	501365	Clip-Starlock,5/16"	2
	016777	• Washer-Slipper S/S	2	32	580404	Rod Assy-Connecting, 150Mm ZP	1
	503369	• Pin,Tension 3/16X 7/8" ZP	2	33	581463	Spring-Counter Balance Non Sp	1
	580313	• Lever-Handle Locking	2	34	580030	Bush-Pivot,Axle	2
	583041	• Stud-Handle Lock Short	2	35	980564	Plate-Retainer, Axle Front	2
9	581656	Cable-Engine Opc,Push On 950	1	36	501599	Screw, S/T 1/4" x 5/8"	2
10	503319	Plug-22Mm Black Plastic	2	37	579191	Wheel Assy-150mm PB 5 Hole Sil	2
11	980692	Handle-Lower,Stub Black	2	#	579195	Wheel Assy-150mm,BB Spoke Sil	2
12	503643	Screw, Set M8 x 25	4	38	583590	Axle Assy-Front, 150Mm Thrd ZP	1
13	501793	Nut, M 8 Hex Nyloc X 8Thk ZP	4	39	503150	Clip-Starlock, 5 Dia	2
14	980694	Grass Shute Assm (Optional Extra)		40	581240	"Nameplate, Masport Blk/White	1
15	782200	<b>Flap Assm, Plastic</b>	1	41	580453	Screw;S/T 3/8x1-1/8 UNCHWHTTZP	3
16	581517	• Flap-Mower Plastic	1	42	501606	Washer, Flat 8 x 19 x 1.6 ZP	3
17	581528	• Spring-Flap	1	43	503747	Washer, Spring 8mm	3
18	581743	• Wire-Rod, Flap Pivot 352 X 6 ZP	1	44	779371	Housing-Assy Euro Titanium	1
19	581106	• Spring-Flap, Latch	1	45	503660	Rivet-Pop 4.8Dia x 9.0 73 As 6-6	2
20	981650	• Latch-Flap, Barbed ZP	1	46	580025	Quadrant-Height Selector	1
21	580602	• Handle-Flap	1			<b>NOT ILLUSTRATED</b>	
22	783256	<b>Axel Assm, Rear</b>	1		583154	Owners Manual	
22a	980229	• Rod-Height Selector ZP	1		503054	Nylon Cable Tie	
23	580056	• Grip-Height Lever 7.9Dia Black	1		580778	Rope Stop	
24	580030	Bush-Pivot,Axle	2				
25	580225	Retainer-Wire, Axle	2				

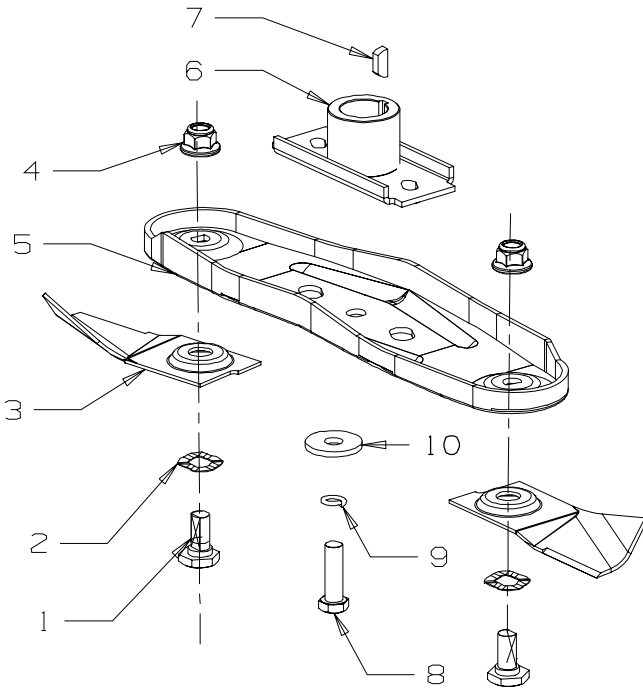
# (hash) = Parts for 400.AL Model



300.AL  
400.AL

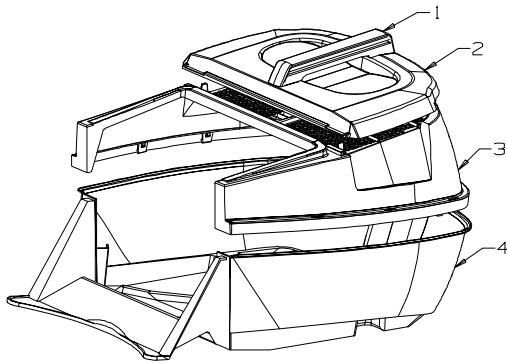
Powered By: Briggs & Stratton - Classic 35  
Powered By: Briggs & Stratton - Quattro 40

## 460mm Quick Cut Blade Assembly



Item No	Part No	Description	Qty
		<b>Blade Assy - 460mm</b>	<b>1</b>
1*	581707	Bolt-Blade	2
2*	580693	Washer, Wavy	2
3	583049	Blade, Quick Cut - 460mm Euro	2
4*	503672	Nut, Flange Nyloc M10	2
5	980653	Carrier-Blade	1
6	514173	Driver Assy-Blade - 25mm Shaft	1
7	500636	Key, Woodruff - 5/8" x5/32" x1/4"	1
8	581610	Screw, Set NF 3/8" x 1.25	1
9	500204	Washer, Spring 3/8"	1
10	503667	Washer, Flat 9.75 x 30 x 3	1
*	783690	Bolt Set (Twin Pack)	1

## Catcher Assembly Complete, Plastic - Part Number 980670



Item	Part No	Description	Qty
1	580673	Handle-Catcher	1
2	580674	Lid-Catcher	1
3	580671	Top-Catcher	1
4	580672	Bottom-Catcher	1