

Masport®

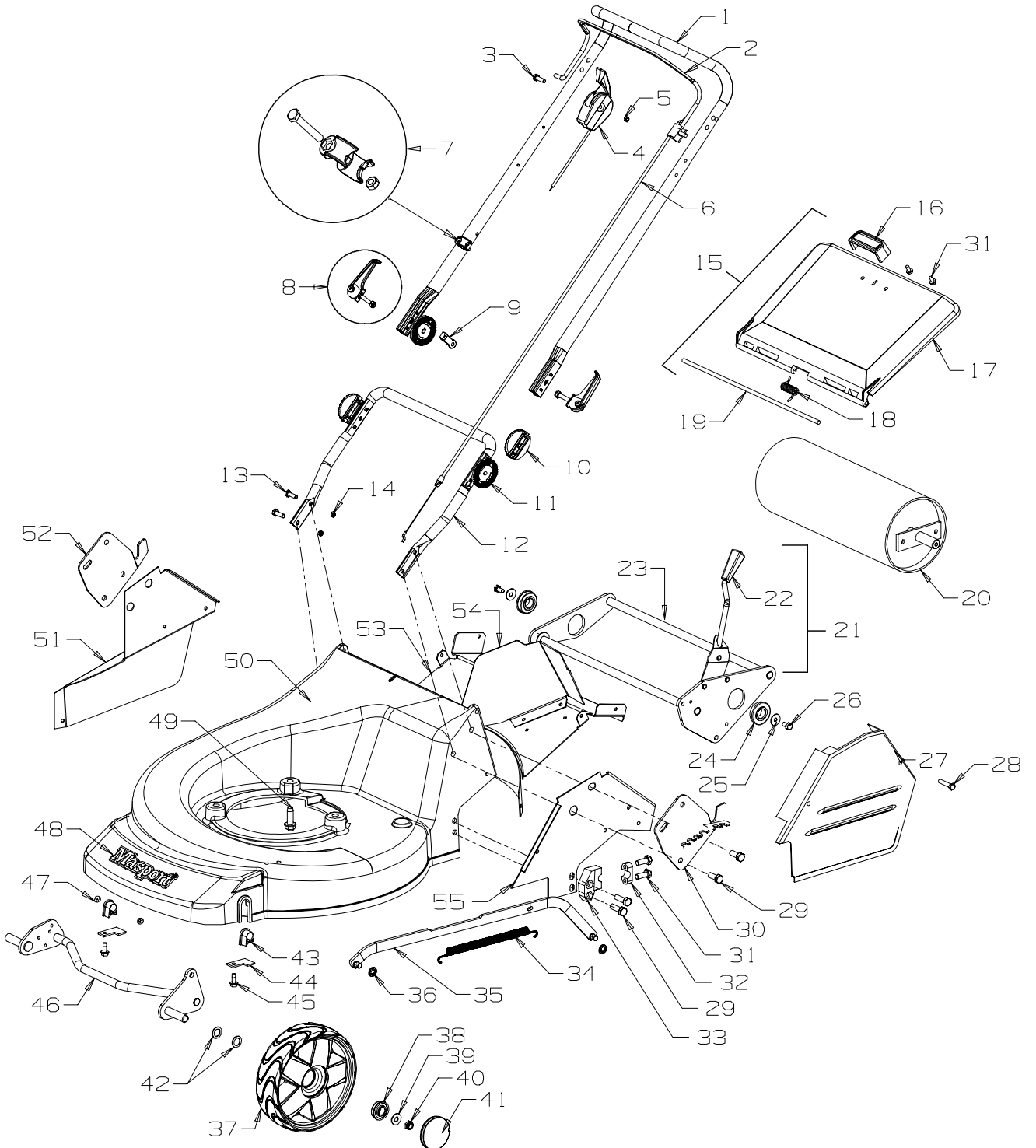
DOMESTIC ROTARY MOWERS

ROTAROLA SERIES

Part Numbers 957942 ROTAROLA PUSH Quantum XTS 50

Year of Manufacture: October 2006





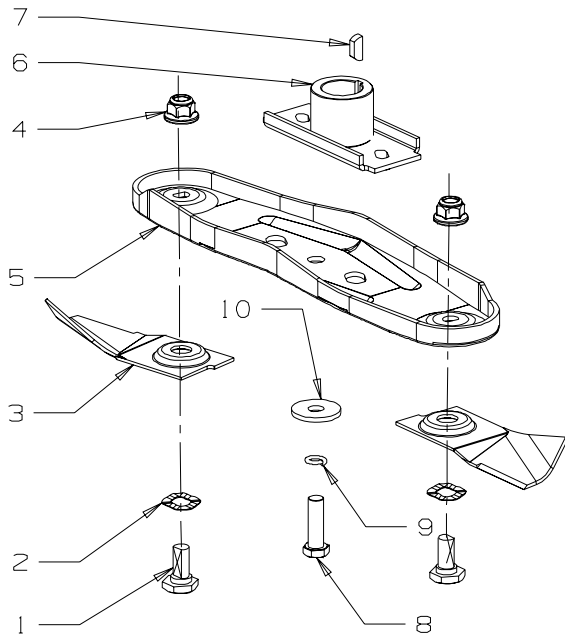


Item No	Part No	Description	Qty	Item No	Part No	Description	Qty
1	981664	Handle-Upper, Upturned, Adjustable - Black	1	32	557050	Bracket-Mounting, Top	2
2	981740	Bail Arm Assy	1	33	557055	Bracket-Mounting, Bottom	2
3	503604	Screw, Pan M6 x 45	1	34	581463	Spring-Counter Balance	1
4	583458	Control-Throttle, -Ve/Nch	1	35	957251	Rod Assy, Connecting	1
5	501764	Nut, Nyloc M6 HEX	4	36	501365	Clip-Starlock, 5/16"	2
6	582523	Cable-Engine	1	37	579196	Wheel -175mm BB Spoke Sil	2
7	703856	Comfort Start Assm	1	38	551212	• Bearing-Wheel	
8	980456	Cam Lock Assy	2	39	501606	Washer, Flat 8 x 19 x 1.6	2
	580313	• Lever-Handle Locking	2	40	503831	Nut-Nyloc, M8	2
	503369	• Pin; Tension 3/16" x 7/8"	2	41	579198	Button, Hub-cap Spoked Silver	2
	016777	• Washer-Slipper	2	42	503301	Washer; Flat 1/2" x 3/4"	2
	580690	• Stud-Handle Lock	2	43	580030	Bush-Pivot, Axle	2
9	581527	Retainer-Control Cable, Handle	1	45	501599	Screw; S/T 1/4" x 5/8"	2
10	581660	Disc - Locking Outer	2	44	980564	Plate-Retainer, Axle	2
11	581659	Disc - Locking Inner	2	46	583593	Axle Assy-Front, 175mm	1
12	981712	Handle-Lower, "U", Adjustable - Black	1	47	503150	Clip-Starlock, 5 Dia	2
14	501793	Nut, Nyloc M8 Hex	4	48	581240	Nameplate - Masport	1
	501597	Screw, Set M8 x 20 HEX	4	49	580453	Screw; S/T 3/8" x 1 1/8" UNC	3
15	781153	Flap Assy - Steel	1	50	779549	Housing - titanium	1
16	580602	• Handle-Flap	1	51	957269	Cover-Side, RH - Silver	1
17	981105	• Flap-Mower - Steel	1	52	981643	Plate-Side, RH - Black	1
18	581528	• Spring-Flap	1	53	957273	Cover-Chute, Grass - Black	1
19	580007	• Wire-Flap Pivot 347mm x 6mm	1	54	957270	Ramp Assy-Grass - Black	1
20	957246	Roller Assy-Steel	1	55	957274	Backplate-Inside, LH - Silver	1
21	980229	Lever Assy-Height Adjust	1			NOT ILLUSTRATED	
22	580056	• Grip-7.9 Dia	1		583154	Owners Manual	1
23	957240	Frame Assy-Rear	1		503054	Tie-Nylon Cable	2
24	557243	Bearing - 16mm	2		580778	Stop-Rope - Comfort Start	1
25	503196	Washer; Flat 1/4"	2		557264	Decal - Housing	1
26	501959	Screw, Set M6 x 12 Hex	2		557267	Decal - Front	1
27	957148	Cover-LH, Push - Silver	1		582460	Decal - Flap	1
28	580160	Screw, Set M6 x 50 HEX	2		503460	Plug-Plastic 6.3mm Dia	1
29	501598	Screw, Set M8 x 25 HEX	4				
30	981644	Plate-Side, LH - Black	1				
31	503650	Screw, S/T M5 x 18	4				

Bold Text = Assemblies
Bulleted Text = Items included in Assemblies

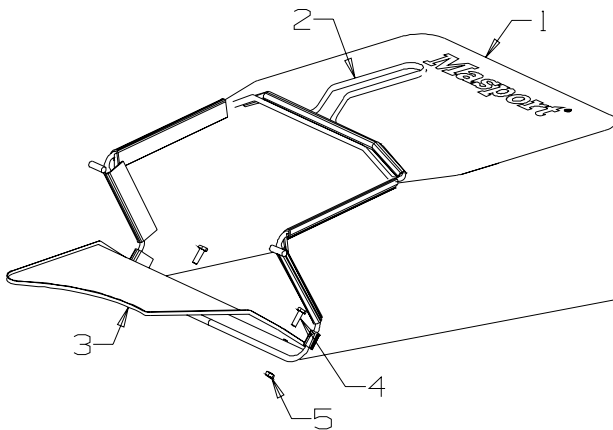


460mm Quick Cut Blade Assembly



Item No	Part No	Description	Qty
1*	581707	• Bolt-Blade	2
2*	580693	• Washer, Wavy	2
3	583490	• Blade, Quick Cut - 460mm	2
4*	503672	• Nut, Flange Nyloc M10	2
5	980653	• Carrier-Blade	1
6	031640	Driver Assy, Blade - 25mm	1
7	503363	Key, Woodruff - 5/8" x 3/16 x 1/4"	1
8	581610	Screw, Set NF 3/8" x 1.25	1
9	500204	Washer, Spring 3/8"	1
10	503667	Washer, Flat 9.75 x 30 x 3	1
*	783690	Bolt Pack(Incl. item No's 1, 2, 4)	1
	780658	Blade & Bolt Pack (Incl. item No's 1, 2, 3, 4)	1
	981364	Blade Assy - 460mm	1

Catcher Assembly Complete, Fabric - Part Number 757255



Item No	Part No	Description	Qty
1	557263	Bag Assy, Catcher	1
2	557092	Frame Assy, Catcher	1
3	957256	Lip, Catcher	1
4	503591	Screw, Pan M6 x 12	2
5	502098	Nut, M6	2

HEAD OFFICE - NEW ZEALAND

P.O. Box 14-349, Panmure
Auckland 1741
NEW ZEALAND
Phone: (64 9) 571 1200
Fax: (64 9) 571 5864

HEAD OFFICE - AUSTRALIA

P.O. Box 533, Mordialloc
Braeside 3195
AUSTRALIA
Phone: 1300 366 225
Fax: 1800 035 594