

Masport®

DOMESTIC ROTARY MOWERS

ROTAROLA 18" - OPC

	<u>Part number</u>	<u>Model</u>	<u>Engine</u>
MASPORT	957945	Rotarola AL SP	Honda GCV 160E

Month and Year of First Manufacture -
SERIAL NUMBER STARTING FROM -

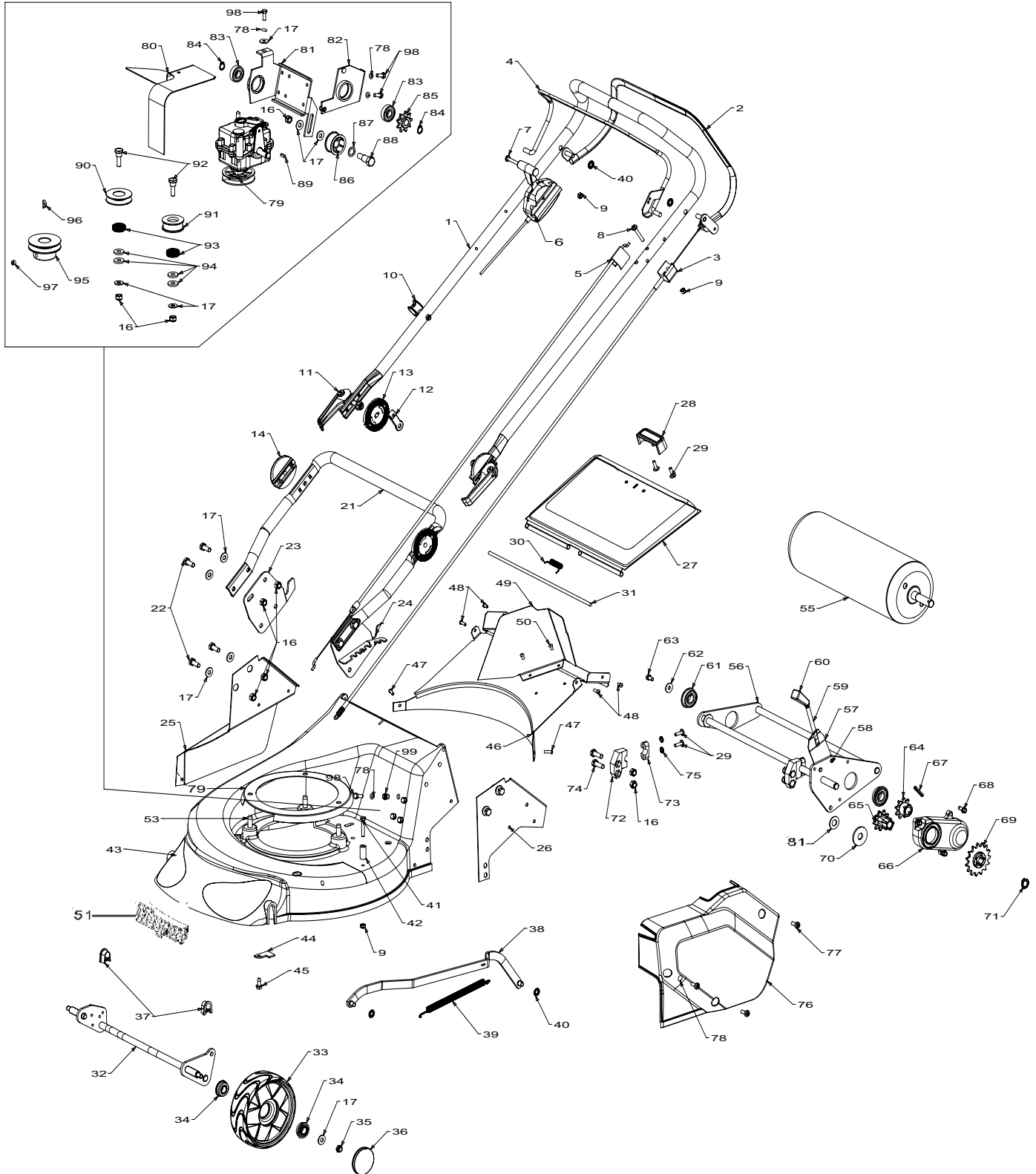




Powered by:
Rotarola AL SP: Honda GCV 160E

Masport

Issue A
Nov 2011 BH
REF # 757945



When ordering PLEASE QUOTE PART NUMBER & Description, NOT Illustration No.
Determine right or left hand side from standing in operating position (standing at handle)



Powered by:
Rotarola AL SP: Honda GCV 160E

Masport

Issue A
Nov 2011 BH
REF # 757945

Item No	Part No	Description	Qty	Item No	Part No	Description	Qty
1	773721	Handle Assy-Upper, Adj, OPC SP	1	43	779498	Hsg Assy- Ali 18" RR SP Ttnm	1
2	982161	Bail Arm Assy, SP	1	44	980564	Plate- Retainer, Front Axle	2
3	582235	Cable- Clutch, Thumb Wheel	1	45	501599	Screw, S/T 1/4x5/8 Hex	2
4	981740	Bail Arm Assy, OPC Flatnd	1	46	957270	Ramp Assy, Grass	1
5	582523	Cable- Engine, OPC Push On	1	47	503204	Rivet- Pop 4.8x16.4	2
6	583460	Control- Throttle Assy, -VE L/H CH	1	48	503423	Rivet- Pop 4.8x6.4	4
7	503604	Screw, Pan M6x45 Poz ZP	1	49	957273	Cover- Chute, Grass	1
8	503455	Screw, Pan M6x40 Poz ZP	1	50	503272	Rivet- Pop 4.8x4.8	2
9	501764	Nut, M6 Nylocx 6 Thck	3	51	569144	Nameplate, Masport	1
10	703856	Comfort Start Kit, 40mm	1	52	503150	Clip- Starlock, 5 Dia	2
11	779755	Cam Lock Assy	2	53	583104	Screw,S/T 3/8x1-5/8 UNC TRIBLK	3
12	581527	Retainer- Clutch Cable	1			__==__	
13	581660	Disc- Locking, Outer	2	55	957276	Roller Assy, Steel 18" RR SP	1
14	581659	Disc- Locking, Inner	2	56	957254	Frame Assy, Rear 18" SP RR	1
16	501793	Nut, M8 Nylocx 8 Thck	14	57	580649	Spring- Leaf	1
17	501606	Washer, Flt 8x19x1.6	14	58	503373	Rivet- F/HD 3/16"x27/64"	3
		__==__		59	973681	Rod- Height Selector	1
21	981712	Handle- Lower, "U" Adj 18"	1	60	581729	Grip- Height Lever 7.9 Dia	1
22	501597	Screw, Set M8x20 Hex	8	61	503820	Brg, Ball 15x35x11 6202NR2RS	2
23	981643	Plate- Side, RH Blk	1	62	503196	Washer, Flt 1/4x0.75x0.049	1
24	981644	Plate- Side, LH Blk	1	63	501959	Screw, Set M6x12 Hex	1
25	957311	Cover- Side, RH Ttnm	1	64	557278	Sprocket- 9T, Driven	1
26	957312	Plate- Side, LH Ttnm	1	65	957212	Sprocket- 9T, Drive	1
		__==__		66	557209	Cover- Chain, RR	1
27	781153	Flap, Mower Steel Ttnm	1	67	503042	Pin, Tension 4.0x30	1
28	580602	Handle- Flap	1	68	503146	Screw, S/T M6x15 Hex	3
29	503650	Screw, S/T M5x18 Washer	6	69	557307	Sprocket, Intermediate	1
30	581528	Spring, Flap	1	70	500858	Washer, Flt 1/2x1.0x.062	1
31	580007	Wire- Flap, Pivot 6x347	1	71	503293	Circlip, 1/2" Ext	1
		__==__		72	557055	Bracket- Mounting, Bottom	1
32	983246	Axle Assy, Front 150mm Thrd	1	73	557050	Bracket- Mounting, Top	1
33	579195	Wheel Assy- 150mm BB Spkd Slv	2	74	501598	Screw, Set M8x25 Hex	4
		incl item 34		75	503639	Washer, Ext Tooth Grip 6 ID	4
34	551212	*Bearing- Wheel, Ball Type	4	76	557301	Cover- Side, LH 18" RR	1
35	503831	Nut, M8 Hex Nyloc 6 Thck	2	77	503331`	Screw, Pan M6x16	5
36	579198	Hub Cap, Button Spkd Slv	2	78	500201	Washer, Spg 6	8
37	580030	Bush- Pivot, Axle	2	79	569037	Ring Safety Black	1
38	957290	Rod Assy, Connecting 18" SP RR	1	80	503301	Washer;FLT 1/2 x 3/4x18	1
39	580621	Spring, Counter Balance SP RR	1	81	503301	Washer; FLT 1/2 x 3/4 x 18G	1
40	501365	Clip, Starlock 5/16"	4			__==__	
41	501815	Screw, Set M6x35	1				
42	503874	Bush X-Lube 1/4x1/2x1"	1				
		__==__					

Bold Text = Assemblies
Bulleted Text = Items included in Assemblies

When ordering PLEASE QUOTE PART NUMBER & Description, NOT Illustration No.
Determine right or left hand side from standing in operating position (standing at handle)



Powered by:
Rotarola AL SP: Honda GCV 160E

Masport

Issue A
Nov 2011 BH
REF # 757945

Item No	Part No	Description	Qty	Item No	Part No	Description	Qty
79	557268	Gearbox- Rotarola	1				
80	567146	Cover- Gearbox Ttnm	1				
81	957279	Gearbox- Support Assy, RH	1				
82	957281	Support Assy- Gearbox, LH	1				
83	501213	Brg, Ball 12x32x10 6201 2RS	2				
84	503759	Circlip, 12 Ext	2				
85	557306	Sprocket- 9T, G/B Out	1				
86	557067	Pulley- Tensioner	1				
87	503301	Washer, Flt 1/2x3/4x18G	1				
88	557300	Stud- TensionerPulley	1				
89	503873	Key 4 x 4 x 12	1				
90	557316	Pulley- V, Idler	1				
91	573382	Pulley- Flat, Idler	1				
92	557317	Stud- Idler Pulley	2				
93	503901	Brg, Ball 12x28x8 6001 2RSH	2				
94	503872	Washer, Flt 8x20x3.0	4				
95	573554	Pulley- V, Engine 25mm RR SP	1				
96	500636	Key, Woodruff 5/8x5/32x1/4	1				
97	503386	Screw, Grb M8x8	1				
98	503223	Screw, Set M6x16 HT8.8 Hex	7				
99	501040	Nut, M6 Nutsert	4				
		__==__					
		NOT ILLUSTRATED					
	573810	Belt- V No. 6731 3L-787 Gates	1				
	557210	Chain, 3/16 x P 1/2, 22P	1				
	557308	Chain, 3/16 x P 1/2, 34.5P	1				
	569324	Owners Manual	1				

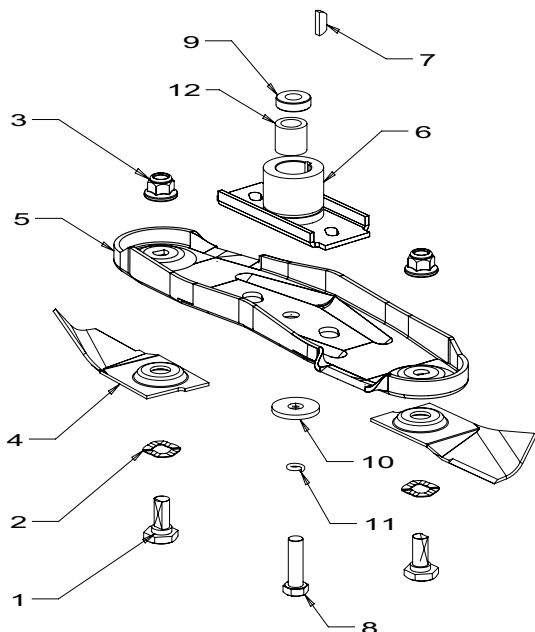


Powered by:
Rotarola AL SP: Honda GCV 160E

Masport

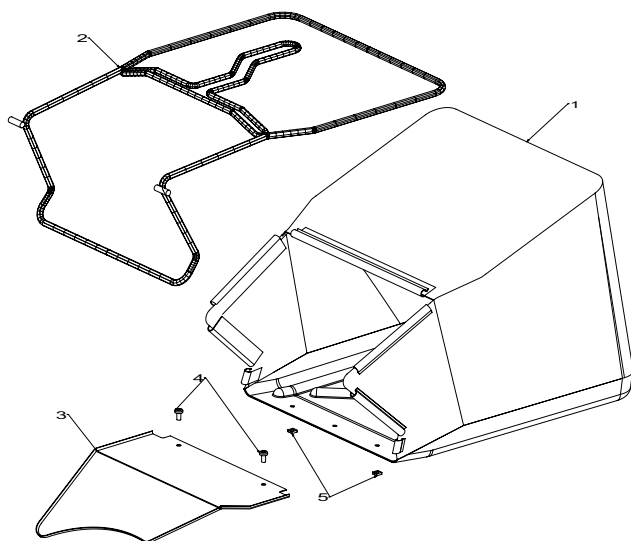
Issue A
Nov 2011 BH
REF # 757945

460mm QuickCut Blade Assembly



Item	Part No	Description	Qty
1	581610	Screw, Set NF 3/8x1.25 NYG8	2
2	580693	Washer, Wavy 13.4x24.2x5.1	2
3	503672	Nut, M10 Hex Nyloc Flange	2
4	980658	Blade- QuickCut 460mm	2
5	980653	Carrier- Blade, QuickCut	1
6	569735	Driver Assy- 25x44 Honda	1
7	500636	Key- W/ruff 5/8x5/32x1/4	1
8	569296	Bolt- Hex NF 3/8x2" HT B ZP	1
9	583542	Spacer-Base 10.5x22x6.0	1
10	503667	Washer, Flt 9.75x30x3.0	1
11	500204	Washer Spg 3/8	1
12	981232	Spacer Boss Blade Adaptor	1

Catcher Assembly Fabric 957168



Item	Part No	Description	Qty
1	557263	Bag Assy- Catcher, RR	1
2	557092	Frame Assy- Catcher, RR	1
3	557256	Lip- Catcher, RR	1
4	503591	Screw, Pan M6x12	2
5	502098	Nut, M6 Squ Pressed	2