

Kohler Courage 17hp

Spare parts

Ersatzteile

Pièces détachées

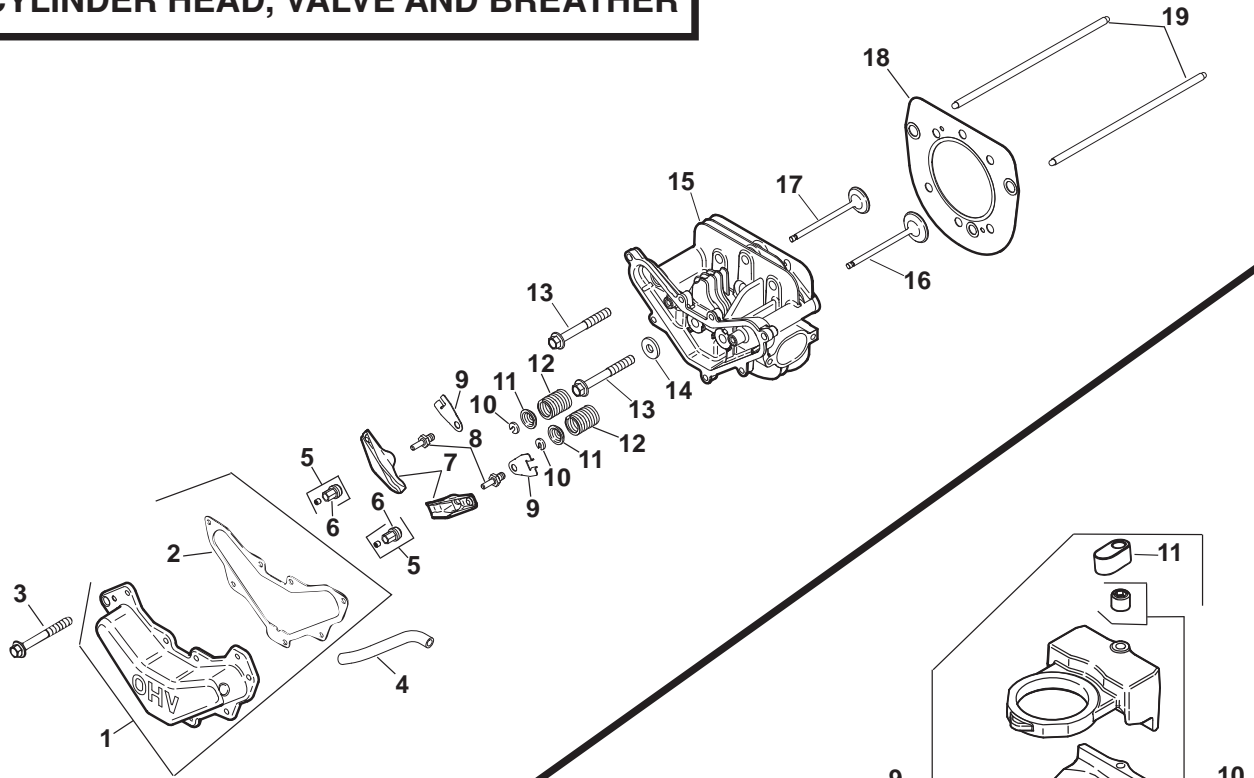
Reserve onderdelen

Repuestos

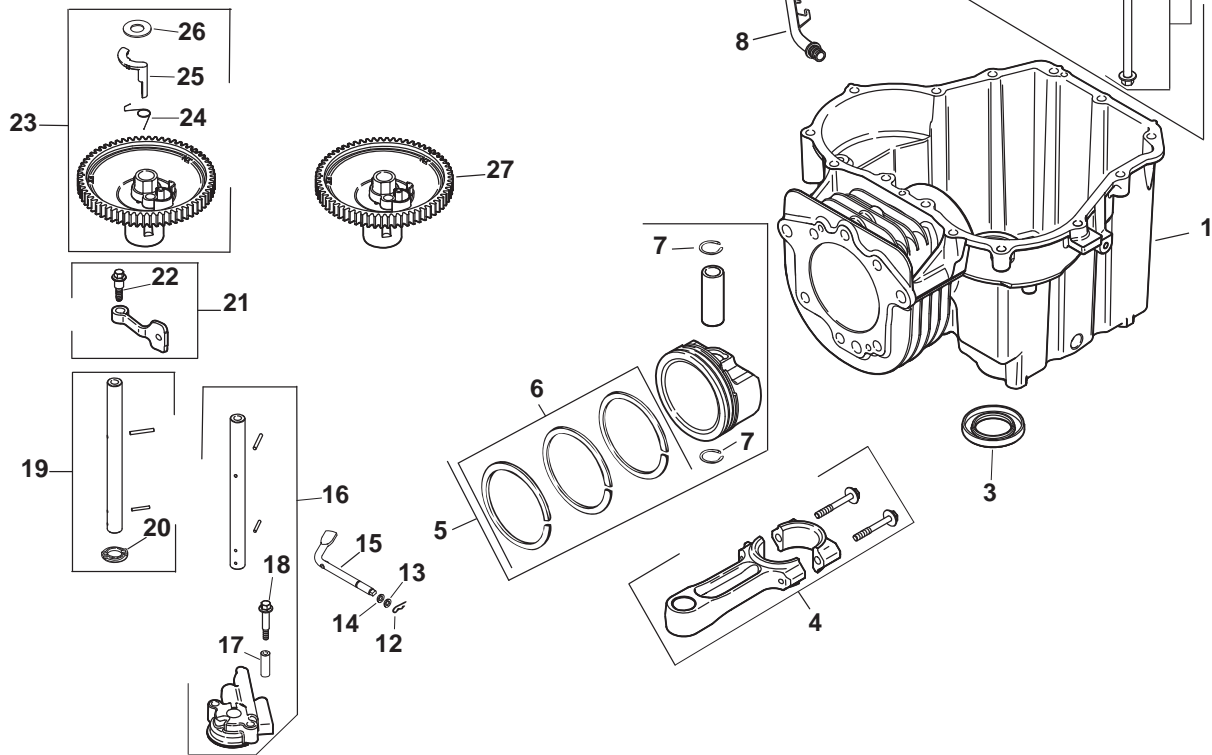
Reservdelar

KOHLER ENGINE - MODEL NO. SV530, TYPE NO.0019

CYLINDER HEAD, VALVE AND BREATHER



CRANKCASE



KOHLER ENGINE - MODEL NO. SV530, TYPE NO.0019

HEAD/VALVE/BREATHER

KEY NO.	PART NO.	DESCRIPTION
1.	531 02 98-79 1	Kit, valve cover (Includes 2)
2.	531 02 95-54 1	Gasket, valve cover
3.	531 02 95-55 7	Screw, hex. flange M6x1.0x20
4.	531 02 95-56 1	Hose, breather
5.	531 02 95-58 2	Screw, set (Includes 6)
6.	531 02 95-57 2	Pivot, rocker arm
7.	531 02 95-59 2	Arm, rocker
8.	531 02 95-60 2	Stud, rocker
9.	531 02 95-61 2	Plate, push rod guide
10.	531 02 95-62 2	Lock, retainer
11.	531 02 95-63 2	Cap, valve spring
12.	531 02 95-64 2	Spring, valve
13.	531 02 95-65 6	Screw, hex. flange M10x1.5x37
14.	531 02 95-66 1	Washer, flat 1/2"
15.	531 02 95-67 1	Head, cylinder
16.	531 02 95-68 1	Valve, exhaust
17.	531 02 95-69 1	Valve, intake
18.	531 02 98-72 1	Kit, cylinder head gasket (Includes head mounting hardware)
19.	531 02 95-71 2	Rod, push

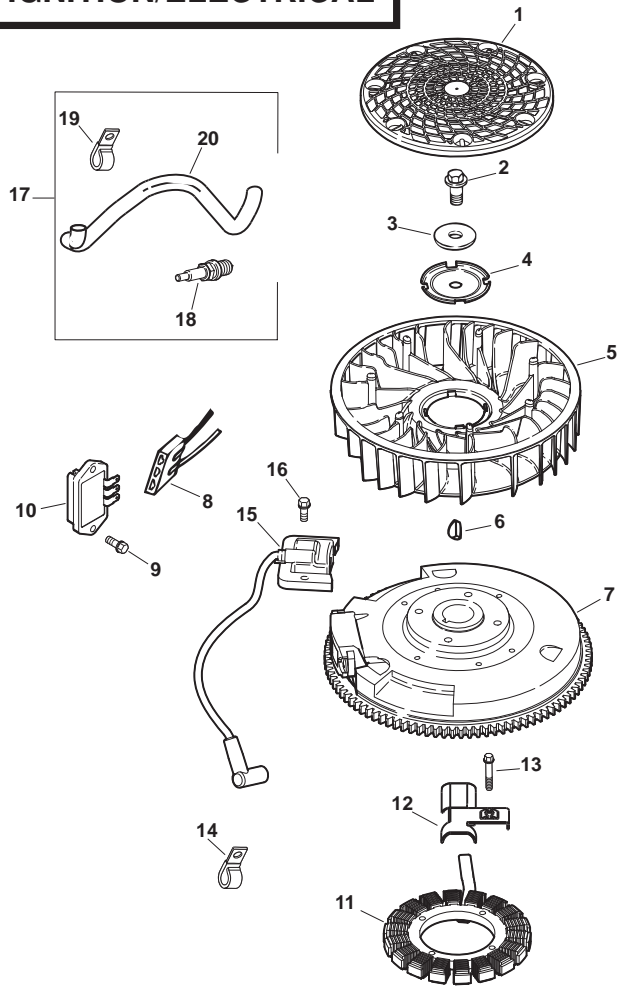
CRANKCASE

KEY NO.	PART NO.	DESCRIPTION
1.	-- -- -- -- 1	Crankcase (USE: Short Block 531 02 95-10)
3.	531 02 95-14 1	Seal, oil
4.	531 02 95-16 1	Rod, connecting
5.	531 02 95-77 1	Piston w/Ring Set (Includes 7,8)
6.	531 02 96-86 1	Ring Set (89 mm)
7.	531 02 95-19 2	Retainer, piston pin
8.	531 02 98-85 1	Tube, drain back
9.	531 02 95-20 1	Kit, balance weight (Includes 10,11)
10.	531 02 95-21 1	Kit, screw/guide pin
11.	531 02 95-22 1	Shoe, guide
12.	531 02 95-23 1	Clip, hitch pin
13.	531 02 95-24 1	Washer, plain
14.	531 02 95-39 1	Washer, plain
15.	531 02 95-25 1	Shaft, governor cross
16.	531 02 98-39 1	Pump assembly, oil (Includes 17,18)
17.	531 02 95-27 2	Spacer, oil pump screw
18.	531 02 95-28 2	Screw, oil pump
19.	531 02 98-77 1	Shaft center, cam - Exhaust (Includes 20)
20.	531 02 95-32 1	Washer, thrust
21.	531 02 95-33 1	Lever assembly, cam (2) (Includes 22)
22.	531 02 95-34 1	Screw, shoulder
23.	531 02 95-35 1	Gear assembly, cam (Includes 24-26)
24.	531 02 95-36 1	Spring, ACR
25.	531 02 95-37 1	Weight, ACR
26.	531 02 95-38 2	Washer, thrust - ACR
27.	531 02 95-35 1	Gear assembly, cam

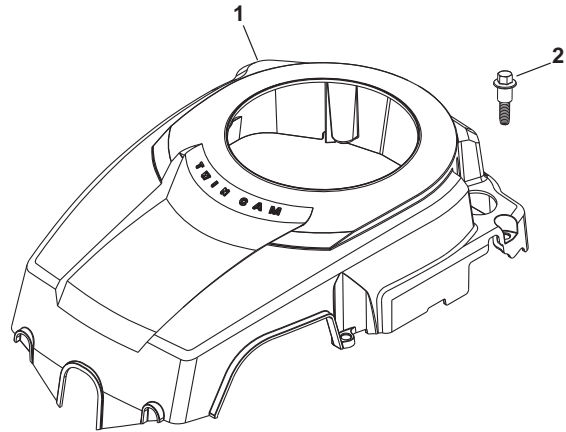
NOTE: All component dimensions given in U.S. inches
1 inch = 25.4 mm

KOHLER ENGINE - MODEL NO. SV530, TYPE NO.0019

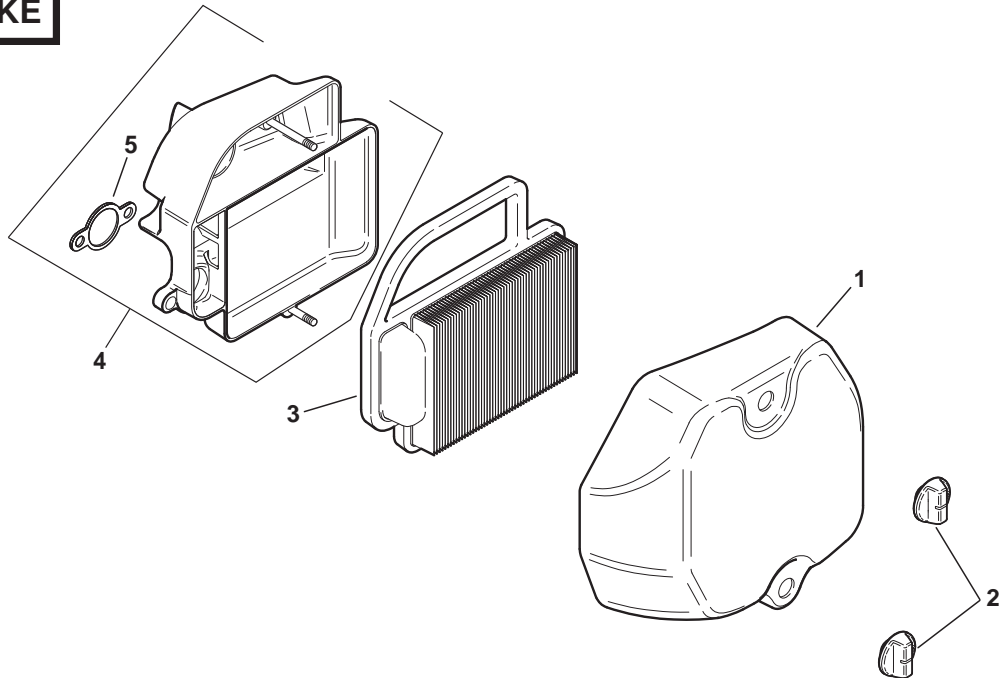
IGNITION/ELECTRICAL



BLOWER HOUSING AND BAFFLES



AIR INTAKE



KOHLER ENGINE - MODEL NO. SV530, TYPE NO.0019

IGNITION/ELECTRICAL

KEY NO.	PART NO.	DESCRIPTION
1.	531 02 95-72 1	Screen, grass
2.	531 02 95-73 1	Screw, hex. flange M10x1.5x46
3.	531 02 95-74 1	Washer, spring 3/16"
4.	531 02 95-75 1	Plate, fan mounting
5.	531 02 95-76 1	Fan
6.	531 02 95-11 1	Key, woodruff
7.	531 02 95-78 1	Flywheel
8.	531 02 95-83 1	Connector, body (3 contact)
9.	531 02 95-84 2	Screw, hex. flange thread forming M5x0.8x20
10.	531 02 95-85 1	Rectifier-regulator
11.	531 02 95-82 1	Kit, stator
12.	531 02 99-40 1	Clip, wire
13.	531 02 98-87 2	Screw, hex. socket thread forming M5x0.8x25
14.	531 02 95-80 2	Clip, cable
15.	531 02 95-87 1	Module, ignition
16.	531 02 95-79 2	Screw, hex. socket thread forming M5x0.8x25
17.	531 02 97-73 1	Kit, RFI Suppression (Includes 18-20)
18.	531 02 98-76 1	Plug, spark
19.	531 02 97-85 1	Clip, cable
20.	531 02 97-99 1	Tube, RFI
NOT ILLUSTRATED		
	531 02 95-88 1	Harness, wiring

BLOWER HOUSING & BAFFLES

KEY NO.	PART NO.	DESCRIPTION
1.	531 02 95-89 1	Housing, blower
2.	531 02 95-34 4	Screw, shoulder M5x0.8x36

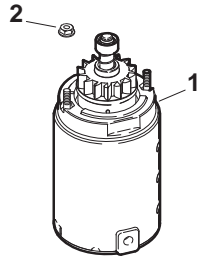
AIR INTAKE/FILTRATION

KEY NO.	PART NO.	DESCRIPTION
1.	531 02 97-25 1	Cover, air cleaner
2.	531 02 98-38 2	Knob, cover
3.	531 02 95-01 1	Element, air cleaner
4.	531 02 96-29 1	Kit, air cleaner base (Includes 5)
5.	531 02 96-00 1	Gasket, air cleaner base

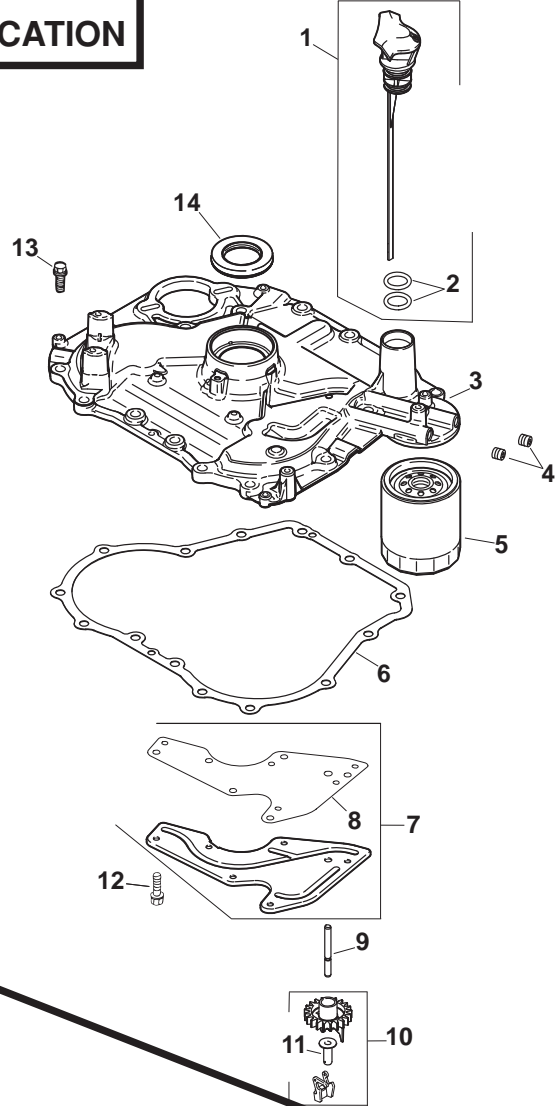
NOTE: All component dimensions given in U.S. inches
1 inch = 25.4 mm

KOHLER ENGINE - MODEL NO. SV530, TYPE NO.0019

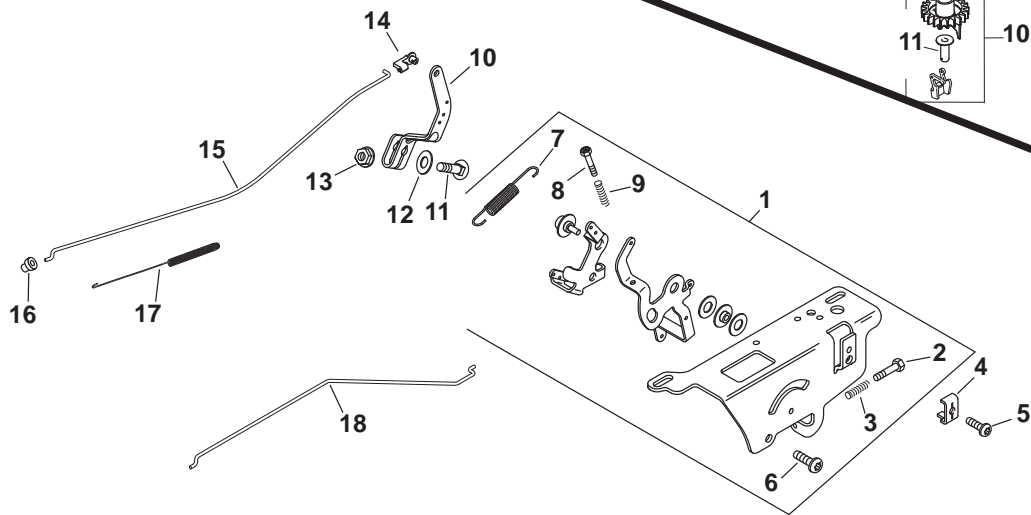
STARTING SYSTEM



OIL PAN/LUBRICATION



ENGINE CONTROLS



KOHLER ENGINE - MODEL NO. SV530, TYPE NO.0019

STARTING SYSTEM

KEY NO.	PART NO.	DESCRIPTION
1.	531 02 95-93 1	Starter assembly, inertia drive
2.	531 02 95-94 2	Nut, hex. free spinning serrated flange lock #10-24

OIL PAN/LUBRICATION

KEY NO.	PART NO.	DESCRIPTION
1.	531 02 95-40 1	Kit, dipstick assembly (Includes 2)
2.	531 02 95-41 2	O-Ring, dipstick
3.	531 02 95-42 1	Plate assembly, closure (Includes 4,10,11)
4.	531 02 95-43 2	Plug, pipe
5.	531 02 95-03 2	Filter, oil
6.	531 02 95-44 1	Gasket, closure plate
7.	531 02 95-45 1	Kit, oil passage cover (Includes 8)
8.	531 02 95-46 1	Gasket, oil passage
9.	531 02 95-47 1	Shaft, governor gear
10.	531 02 95-48 1	Kit, gear and weight assembly (Includes 11)
11.	531 02 95-49 1	Pin, governor regulating
12.	531 02 95-50 6	Screw, hex. flange M5x0.8x13
13.	531 02 95-51 14	Screw, hex. flange M8x1.25x30
14.	531 02 95-14 1	Seal, oil

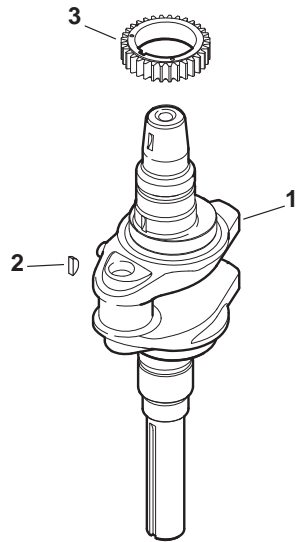
ENGINE CONTROLS

KEY NO.	PART NO.	DESCRIPTION
1.	531 02 98-79 1	Control assembly, speed (Includes 2,3,6-9)
2.	531 02 98-94 1	Screw, thread forming M40.7x38
3.	531 02 98-95 1	Spring, speed control
4.	531 02 96-13 1	Clamp, cable
5.	531 02 96-14 1	Screw, 6 lobed sckt. thread forming M5x0.8x16
6.	531 02 96-15 2	Screw, 6 lobed sckt. thread forming M6x1.0x20
7.	531 02 96-17 2	Spring, speed control
8.	531 02 96-10 2	Screw, thread forming M4x0.7x25
9.	531 02 96-23 1	Spring, governor
10.	531 02 96-19 1	Lever, governor
11.	531 02 96-20 1	Bolt, round head 1/4-20x1"
12.	531 02 96-06 1	Washer, lock 1/4"
13.	531 02 96-22 1	Nut, hex. flange 1/4-20"
14.	531 02 96-24 1	Bushing, throttle linkage
15.	531 02 96-25 1	Linkage, throttle
16.	531 02 96-26 1	Bushing, linkage retaining
17.	531 02 98-96 1	Spring, linkage
18.	531 02 96-16 1	Linkage, choke – single wire

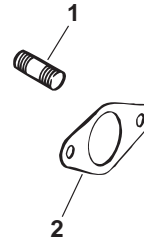
NOTE: All component dimensions given in U.S. inches
1 inch = 25.4 mm

KOHLER ENGINE - MODEL NO. SV530, TYPE NO.0019

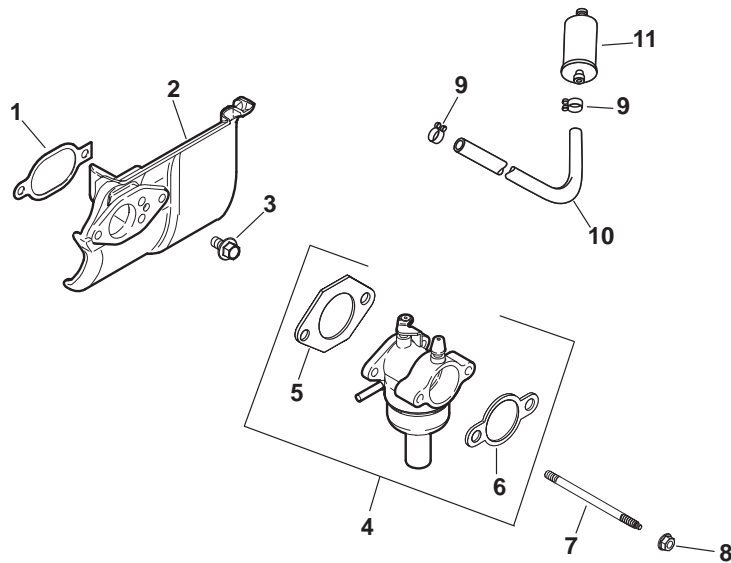
CRANKSHAFT



EXHAUST



FUEL SYSTEM



KOHLER ENGINE - MODEL NO. SV530, TYPE NO.0019

CRANKSHAFT

KEY NO.	PART NO.	DESCRIPTION
1.	531 02 95-52 1	Crankshaft (Includes 2)
2	.531 02 95-11 1	Key 3/16"
3	.531 02 95-12 1	Gear, crankshaft

EXHAUST

KEY NO.	PART NO.	DESCRIPTION
1.	531 02 96-31 2	Stud, exhaust
2.	531 02 96-32 1	Gasket, exhaust

NOT ILLUSTRATED

--	531 02 95-10 1	Short Block
--	531 02 96-34 1	Kit, overhaul

FUEL SYSTEM

KEY NO.	PART NO.	DESCRIPTION
1.	531 02 95-95 1	Gasket, heat deflector
2.	531 02 95-96 1	Deflector, heat
3.	531 02 95-97 1	Screw, hex. flange M6x1.0x20
4.	531 02 99-41 1	Carburetor w/gaskets (Includes 5,6)
5.	531 02 95-99 1	Gasket, carburetor
6.	531 02 96-00 1	Gasket, air cleaner
7.	531 02 96-01 1	Stud, carburetor mounting
8.	531 02 96-02 2	Nut, hex. flange M6x1.0
9.	531 02 96-04 2	Clamp, hose
10.	531 02 99-87 1	Line, fuel (Fuel line comes in lengths of 24" - cut to needed lengths For carburetor connections)
11.	531 02 95-02 1	Filter, fuel

NOT ILLUSTRATED

	531 02 96-06 1	Washer, int. tooth lock 1/4" (ground)
	531 02 96-07 1	Kit, float
	531 02 96-08 1	Kit, carburetor repair
	531 02 96-09 1	Kit, solenoid repair
	531 02 96-10 1	Kit, bowl replacement w/gaskets
	531 02 99-98 1	Kit, high altitude (5000 ft)
	531 02 96-11 1	Tie, wire

NOTE: All component dimensions given in U.S. inches
1 inch = 25.4 mm

KOHLER ENGINE - MODEL NO. SV530, TYPE NO.0019

KOHLER ENGINE - MODEL NO. SV530, TYPE NO.0019