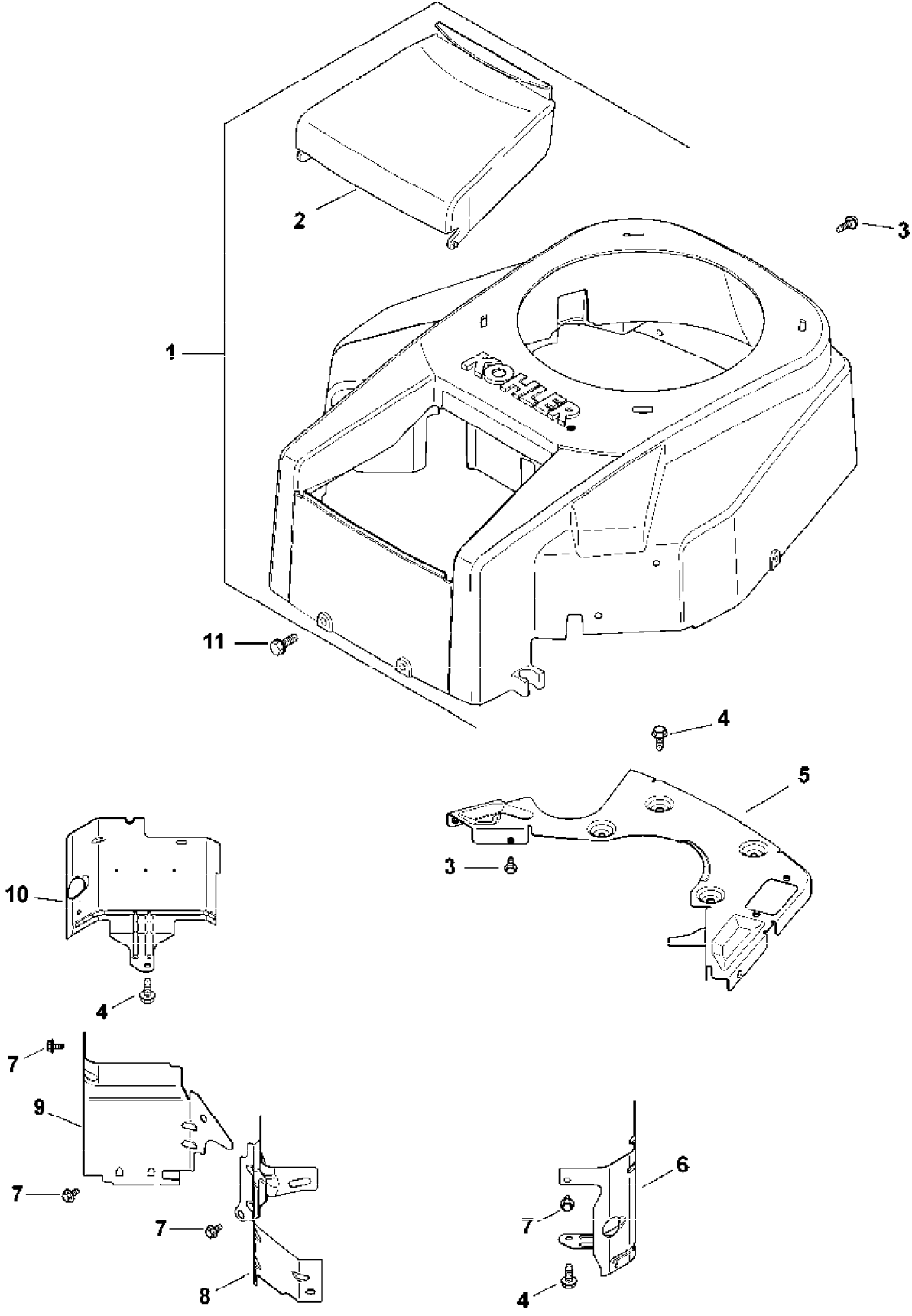
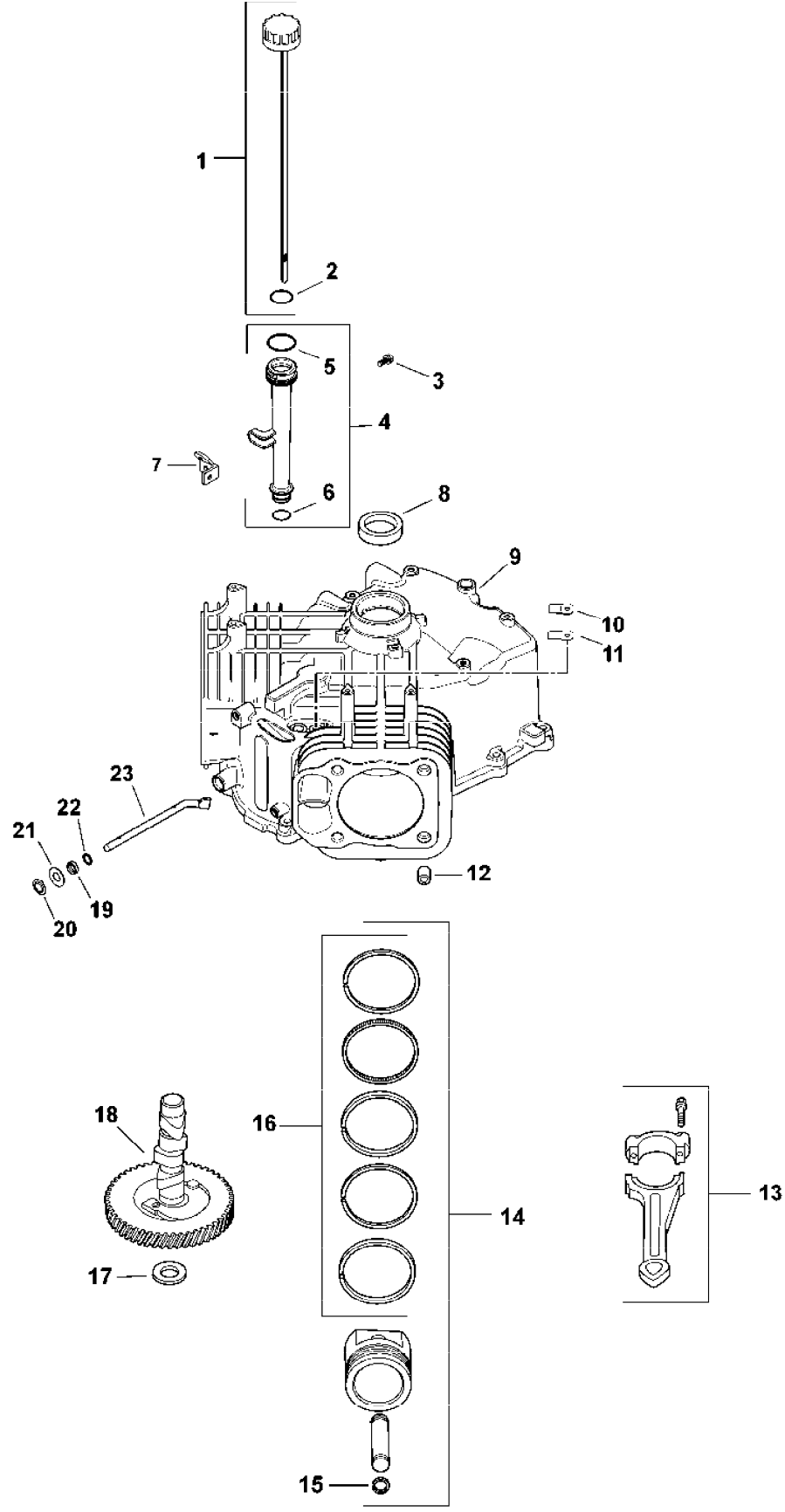


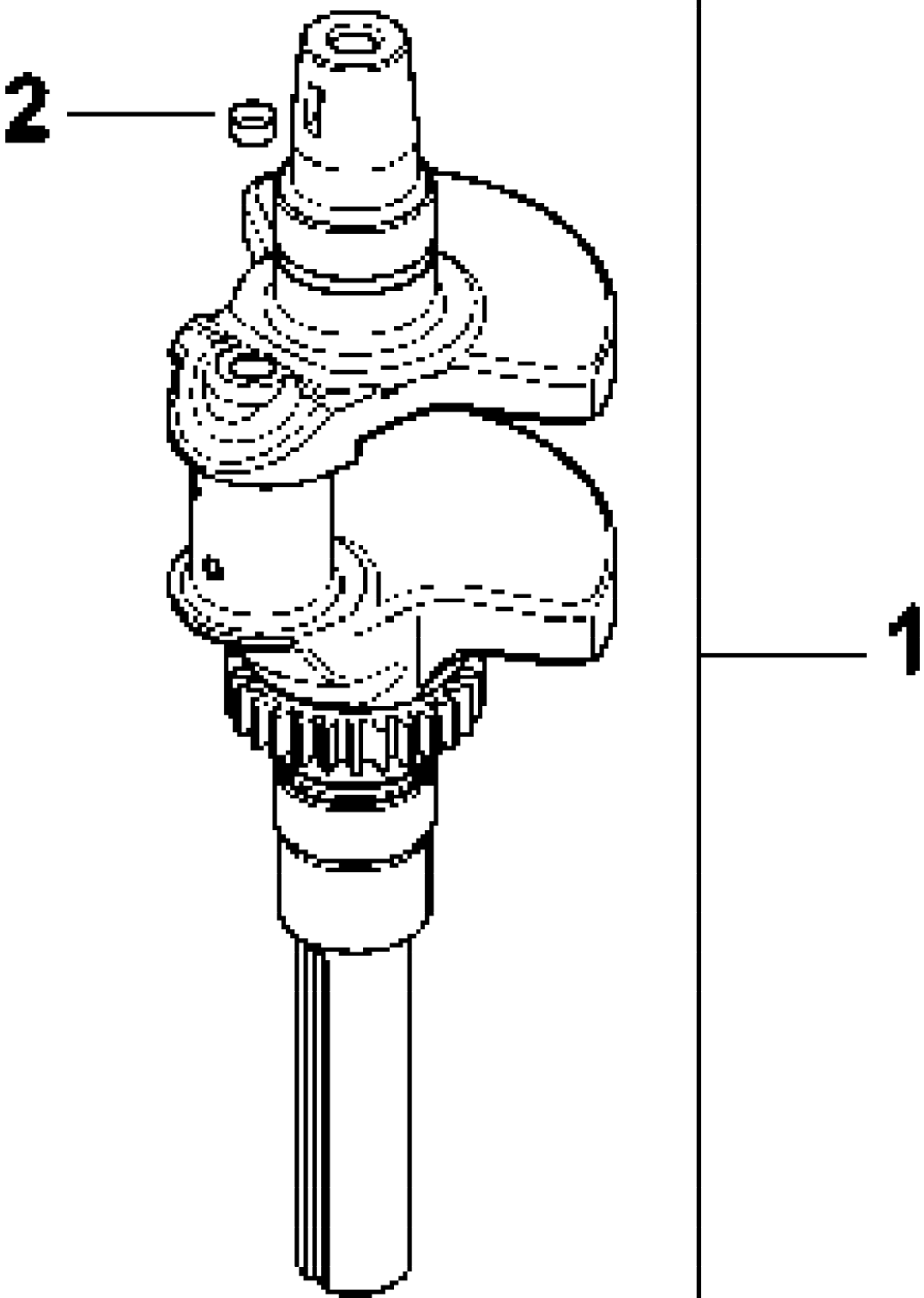
Ref #	Part Number	Qty	Description
1	24 164 51-S	1	MANIFOLD, INTAKE
2	24 041 52-S	1	GASKET, CARBURETOR
3	24 153 27-S	2	O-RING, INTAKE PORT
4	32 094 04-S	1	KIT, AIR CLEANER BASE
5	24 041 14-S	1	GASKET, AIR CLEANER BASE
6	32 344 02-S	1	LATCH, AIR CLEANER ELEMENT
7	32 083 03-S	1	ELEMENT, AIR FILTER
8	X-25-63-S	1	WASHER, FLAT 1/4"
9	M-651040-S	4	SCREW, FLG M6X1.0X40



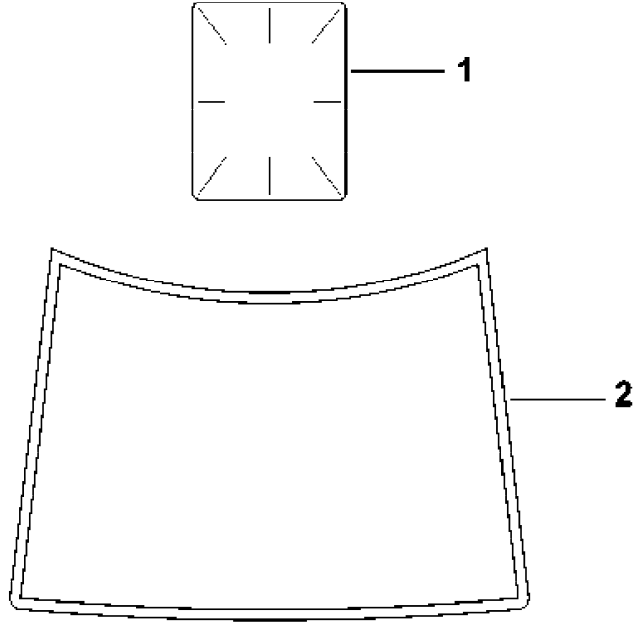
Ref #	Part Number	Qty	Description
1	32 027 03-S	1	KIT, HOUSING BLOWER
2	32 096 08-S	1	COVER, AIR CLEANER
3	M-545016-S	6	SCREW, FLG THD FRM M5X0.8X16
4	M-645016-S	6	SCREW, FLG THD FRM M6X1.0X16
5	32 146 05-S	1	PLATE, BACKING
6	32 063 05-S	1	BAFFLE, CYL BARREL - #2 SIDE
7	M-545010-S	5	SCREW, FLG THD FRM M5X0.8X10
8	32 063 02-S	1	BAFFLE, VALLEY #2 SIDE
9	32 063 03-S	1	BAFFLE, VALLEY #1 SIDE
10	32 063 06-S	1	BAFFLE, CYL BARREL - #1 SIDE
11	24 086 12-S	2	SCREW, TAP M6X1.7X18
	41 037 10-S	1	NAMEPLATE, SERVICE



Ref #	Part Number	Qty	Description
1	24 038 04-S	1	DIPSTICK, ASSY
2	25 153 02-S	1	O-RING, DIPSTICK
3	M-545013-S	1	SCREW, FLG THD FRM M5X0.8X13
4	12 123 04-S	1	KIT, OIL FILL TUBE
5	12 153 02-S	1	O-RING, UPPER OIL FILL TUBE
6	12 153 01-S	1	O-RING, LOWER OIL FILL TUBE
7	24 126 19-S	1	BRACKET, OIL FILL TUBE
8	24 032 01-S	1	SEAL, OIL
9		1	CRANKCASE (USE SHORT BLOCK)
10	24 018 04-S	1	RETAINER, BREATHER REED
11	12 402 02-S	1	REED, BREATHER
12	24 380 16-S	6	PIN, LOCATING
13	24 067 16-S	2	CONNECTING ROD (STD)
14	32 874 06-S	2	KIT, PISTON W/RING SET (STD)
	32 874 09-S	1	KIT, PISTON W/RING SET (.08)
	32 874 08-S	1	KIT, PISTON W/RING SET (.25)
15	24 018 01-S	4	RETAINER, PISTON PIN
16	24 108 11-S	2	RING SET (STD & .08)
	24 108 06-S	1	RING SET (.25)
17	12 422 07-S	A.R.	SHIM, CAMSHAFT (WHITE .028")
	12 422 08-S	A.R.	SHIM, CAMSHAFT (BLUE .03")
	12 422 09-S	A.R.	SHIM, CAMSHAFT (RED .032")
	12 422 10-S	A.R.	SHIM, CAMSHAFT (YELLOW .034")
	12 422 11-S	A.R.	SHIM, CAMSHAFT (GREEN .036")
	12 422 12-S	A.R.	SHIM, CAMSHAFT (GRAY .038")
	12 422 13-S	A.R.	SHIM, CAMSHAFT (BLACK .04")
18	32 012 01-S	1	KIT, CAMSHAFT
19	28 032 09-S	1	SEAL, GOVERNOR CROSS SHAFT
20	24 018 09-S	1	RETAINER, RING
21	M-931010-S	1	WASHER, FLAT 9 MM
22	24 468 15-S	1	WASHER, FLAT 11/32"
23	24 144 38-S	1	SHAFT, GOVERNOR CROSS
	25 357 14-S	1	LUBRICANT, CAMSHAFT

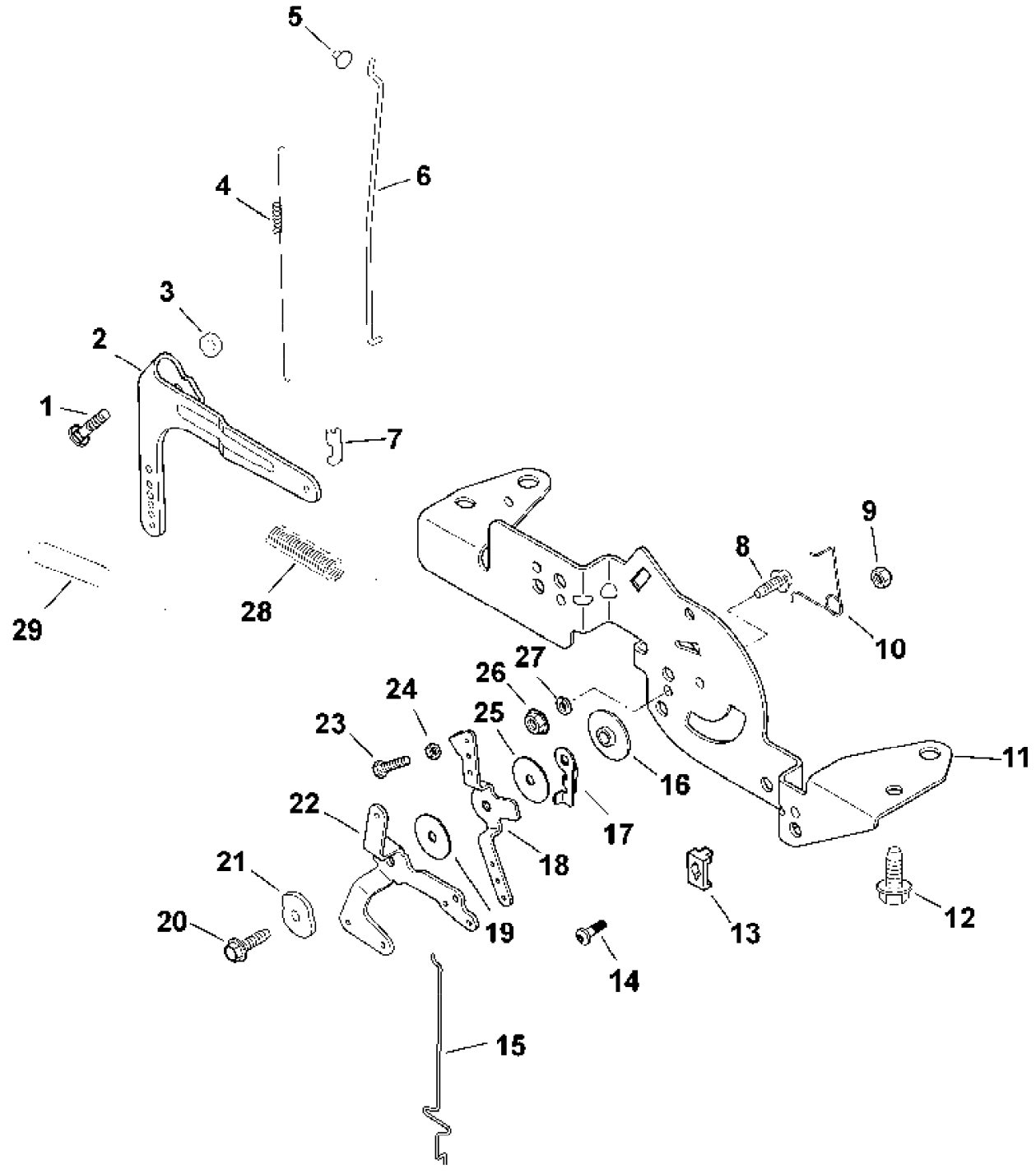


Ref #	Part Number	Qty	Description
1	32 014 04-S	1	CRANKSHAFT
2	52 139 09-S	1	PLUG, CUP

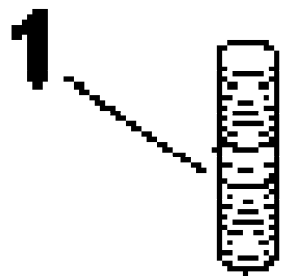


Artwork is representative.
Actual labels may differ depending on model and specification number.

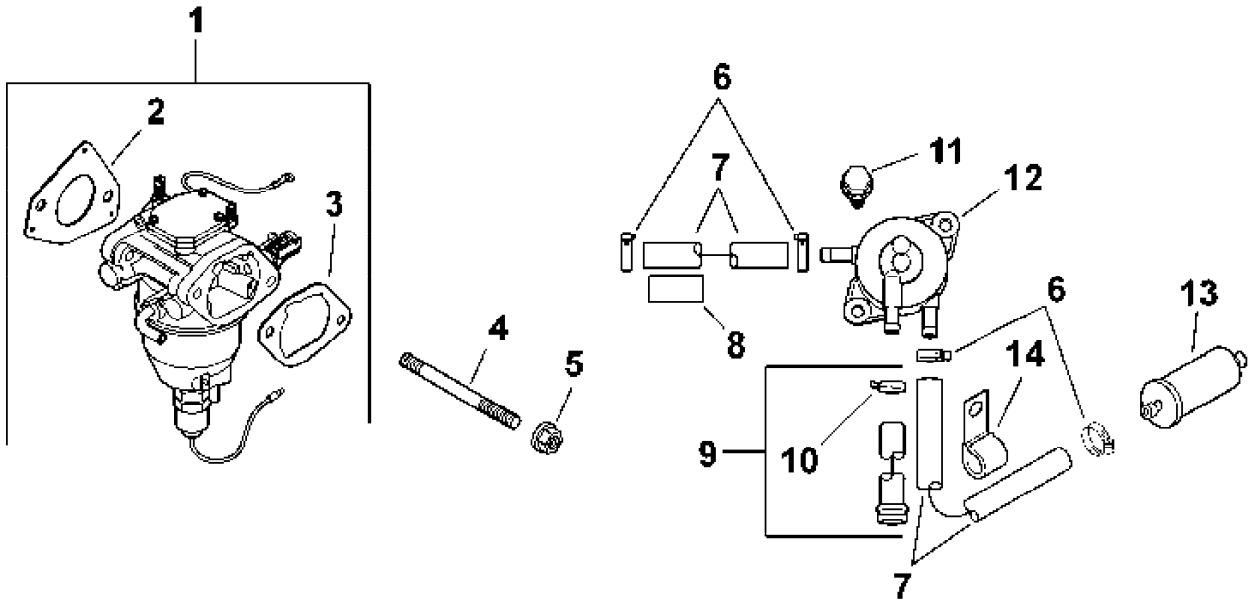
Ref #	Part Number	Qty	Description
1	25 113 39-S	1	Decal, clear laminate
2	32 113 06-S	1	Decal, 20 HP



Ref #	Part Number	Qty	Description
1	24 211 03-S	1	BOLT, RD HD SQ NECK M6X1.0X25
2	24 090 33-S	1	LEVER, GOVERNOR
3	M-641060-S	1	NUT, FLG M6X1.0
4	24 089 01-S	1	SPRING, LINKAGE
5	25 158 08-S	1	BUSHING, LINKAGE RETAINING
6	24 079 04-S	1	LINKAGE, THROTTLE
7	25 158 11-S	1	BUSHING, THROTTLE LINKAGE
8	M-545016-S	1	SCREW, FLG THD FRM M5X0.8X16
9	M-547050-S	1	NUT, LOCK M5X0.8
10	24 089 03-S	1	SPRING, CHOKE RETURN
11	24 126 161-S	1	BRACKET, CONTROL
12	M-645016-S	4	SCREW, FLG THD FRM M6X1.0X16
13	12 237 01-S	3	CLAMP, CABLE
14	24 086 43-S	1	SCREW, LBD THD FRM M5x0.8x16
15	24 079 22-S	1	LINKAGE, CHOKE
16	24 112 27-S	1	SPACER, CONTROL ASSEMBLY
17	24 090 47-S	1	LEVER, THROTTLE ACTUATOR
18	24 090 13-S	1	LEVER, THROTTLE CONTROL
19	24 468 01-S	1	WASHER, FLAT 5.5 MM
20	M-545020-S	1	SCREW, FLG THD FRM M5X0.8X20
21	41 468 03-S	1	WASHER, SPRING 1/4"
22	24 090 05-S	1	LEVER, CHOKE
23	M-403025-S	1	SCREW, SLT HD CAP M4X0.7X25
24	M-446030-S	1	NUT, M4X0.7
25	24 468 20-S	1	WASHER, FLAT 5 MM
26	X-20-1-S	1	WASHER, SPRING LOCK 1/4"
27	M-541050-S	1	NUT, FLG M5X0.8
28	24 089 55-S	1	SPRING, GOVERNOR
29	24 089 25-S	1	SPRING, GOVERNOR



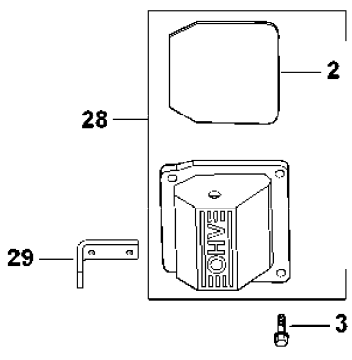
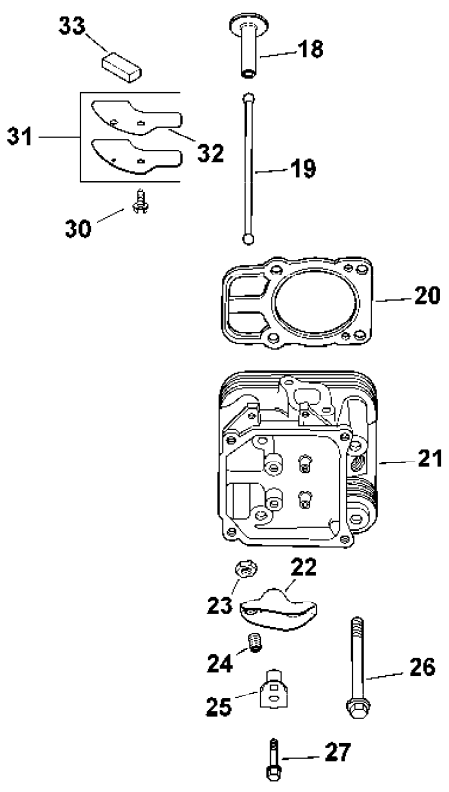
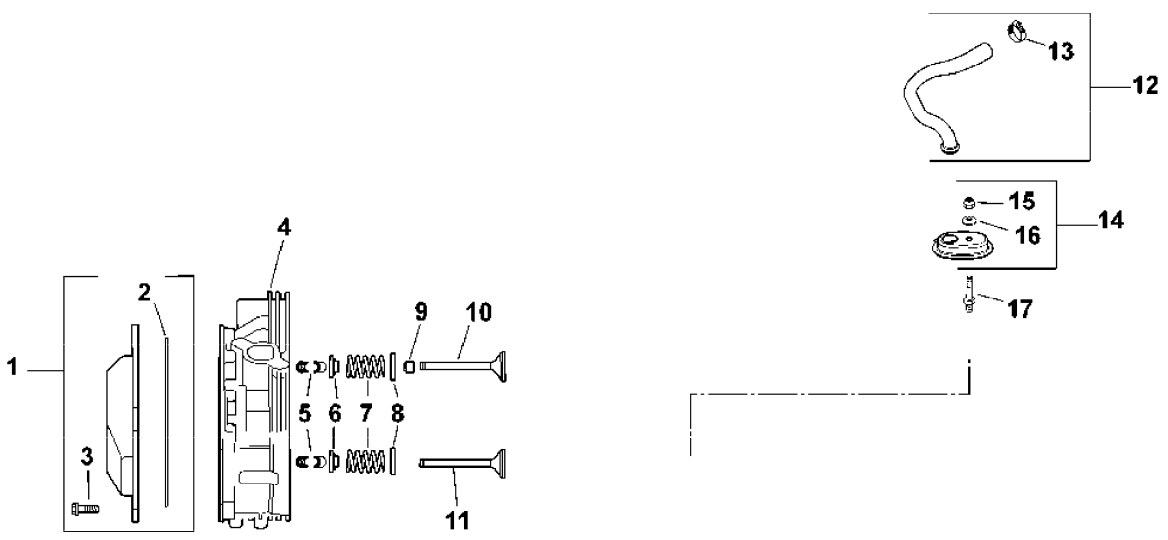
Ref #	Part Number	Qty	Description
1	25 072 04-S	4	STUD, M8x1.25x33



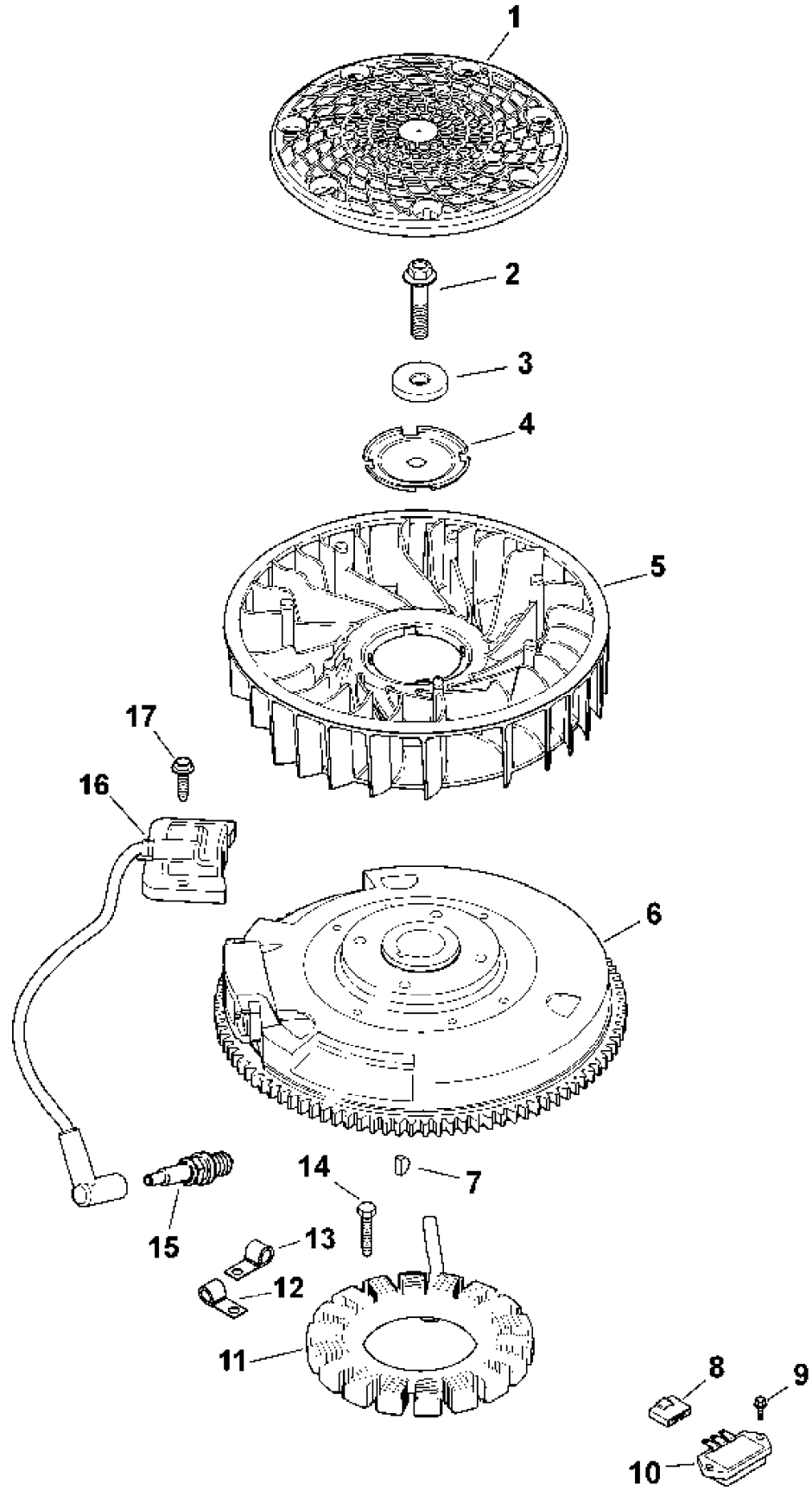
Ref #	Part Number	Qty	Description
1	32 853 03-S	1	Kit, carburetor w/gaskets
2	24 041 52-S	1	Gasket, carburetor
3	24 041 14-S	1	Gasket, air cleaner base
4	M-629105-S	2	Stud, M6x1.0x106
5	M-641060-S	2	Nut, flg M6x1.0
6	25 237 14-S	4	Clamp, hose
7	25 111 34-S	2	Line, fuel (24"-Cut to length)
8	25 431 10-S	1	Sleeve, anti-abrasion
9	32 326 02-S	1	Hose, fuel pump
10	25 237 01-S	1	Clamp, hose
11	24 086 12-S	2	Screw, tap M6x1.7x18
12	24 393 16-S	1	Pump, fuel
13	25 050 22-S	1	Filter, fuel
	24 086 05-S	1	Screw, throttle stop
	X-25-63-S	1	Washer, flat 1/4"
	24 757 36-S	1	Kit, repair service choke
	24 757 38-S	1	Kit, repair service gasket
	24 757 44-S	1	Kit, float
	24 757 45-S	1	Kit, repair solenoid valve
	24 757 46-S	1	Kit, repair overhaul

This group for this specification number does not currently have a supporting illustration.

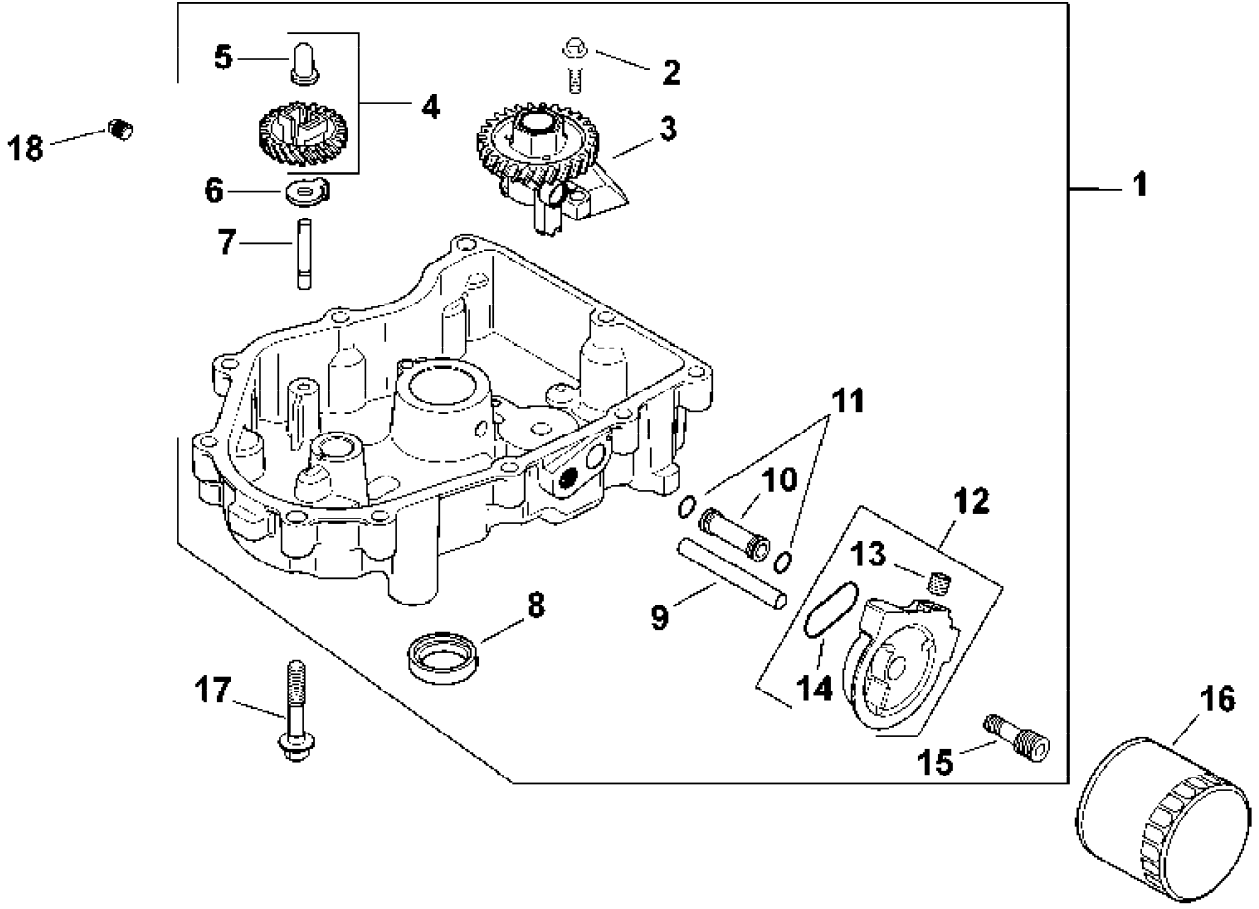
Ref #	Part Number	Qty	Description
	32 755 01-S	1	GASKET SET
	12 086 16-S	8	SCREW, HEX FLANG RED SHANK
	12 153 02-S	2	O-RING
	24 018 09-S	1	RETAINER, RING
	24 032 01-S	1	SEAL, OIL FRONT
	24 041 14-S	1	GASKET, AIR CLEANER BASE
	24 841 03-S	2	KIT, CYLINDER HEAD GASKET
	24 041 49-S	1	GASKET, EXHAUST MANIFOLD
	24 041 52-S	1	GASKET, CARBURETOR
	24 153 01-S	2	O-RING
	24 153 27-S	2	O-RING, INTAKE PORT (PIM)
	24 153 28-S	2	O-RING
	25 153 02-S	1	O-RING
	28 032 09-S	1	SEAL, OIL GOVERNOR SHAFT
	32 041 01-S	1	GASKET, BREATHER COVER
	32 050 01-S	1	FILTER, BREATHER
	32 153 04-S	1	O-RING, OIL FILTER ADAPTER
	52 032 08-S	1	SEAL, OIL
	66 032 05-S	2	SEAL, VALVE STEM



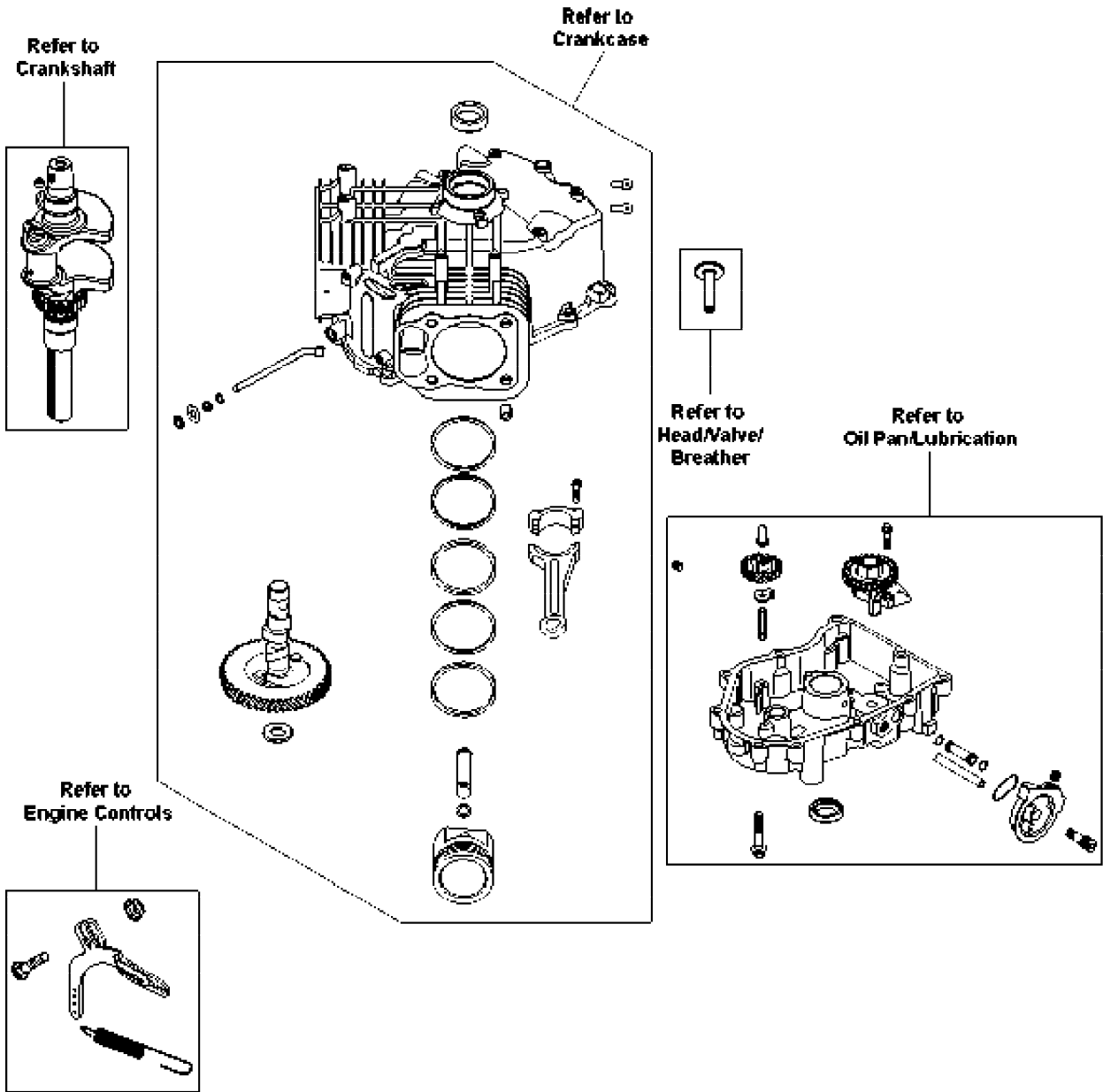
Ref #	Part Number	Qty	Description
1	24 755 141-S	1	KIT, PLAIN ROCKER COVER
2	24 153 28-S	2	O-RING, VALVE COVER
3	M-651030-S	8	SCREW, FLG M6X1.0X30
4	32 318 01-S	1	KIT, #1 CYLINDER HEAD ASSY
5	12 755 03-S	4	KIT, RETAINER
6	12 173 01-S	4	CAP, VALVE SPRING
7	24 089 02-S	4	SPRING, VALVE
8	235011-S	4	RETAINER, SPRING
9	66 032 05-S	2	SEAL, VALVE STEM
10	24 017 01-S	2	VALVE, INTAKE (STD)
11	24 016 01-S	2	VALVE, EXHAUST (STD)
12	32 326 04-S	1	KIT, BREATHER HOSE
13	25 237 14-S	5	CLAMP, HOSE
14	32 081 02-S	1	KIT, BREATHER HOUSING
15	M-547050-S	1	NUT, LOCK M5X0.8
16	32 468 01-S	1	WASHER, SEALING
17	32 072 02-S	1	STUD, BREATHER COVER
18	32 019 01-S	4	KIT, TAPPET
19	32 411 02-S	4	ROD, PUSH
20	24 841 03-S	2	KIT, CYLINDER HEAD GASKET
21	32 318 02-S	1	KIT, #2 CYLINDER HEAD ASSY
22	32 186 02-S	4	ARM, ROCKER
23	32 100 04-S	4	NUT, M10X0.75
24	32 086 03-S	4	SCREW, SET
25	24 599 02-S	4	PIVOT, ROCKER ARM
26	12 086 16-S	8	SCREW, FLG M10X1.5X90
27	32 086 04-S	4	SCREW, FLG M6X1.0X45
28	32 096 06-S	1	KIT, BREATHER VALVE COVER
29	24 445 01-S	1	STRAP, LIFTING
30	M-645016-S	1	SCREW, FLG THD FRM M6X1.0X16
31	32 096 04-S	1	KIT, BREATHER COVER
32	32 041 01-S	1	GASKET, BREATHER COVER
33	32 050 01-S	1	FILTER, BREATHER
	24 041 49-S	1	GASKET, EXHAUST
	24 153 27-S	1	O-RING, INTAKE PORT



Ref #	Part Number	Qty	Description
1	32 162 03-S	1	SCREEN, GRASS
2	12 086 14-S	1	SCREW, FLG M10X1.5X45
3	12 468 03-S	1	WASHER, FLAT 3/8"
4	20 146 02-S	1	PLATE, FAN MOUNTING
5	32 157 01-S	1	FAN
6	32 025 06-S	1	FLYWHEEL
7	X-42-15-S	1	KEY
8	236602-S	1	CONNECTOR (3 CONTACT)
9	M-551016-S	2	SCREW, HVY FLG M5X0.8X16
10	41 403 09-S	1	RECTIFIER-REGULATOR
11	237878-S	1	KIT, 15 AMP STATOR
12	47 154 01-S	1	CLIP, CABLE
13	235173-S	1	CLIP, CABLE
14	M-548025-S	2	SCREW, THD FRM M5X0.8X25
15	25 132 14-S	2	SPARK PLUG, RFI
16	25 584 01-S	2	MODULE, RFI IGNITION
17	M-545020-S	4	SCREW, FLG THD FRM M5X0.8X20
	32 176 04-S	1	HARNESS, WIRING
	25 454 03-S	2	TIE, WIRE

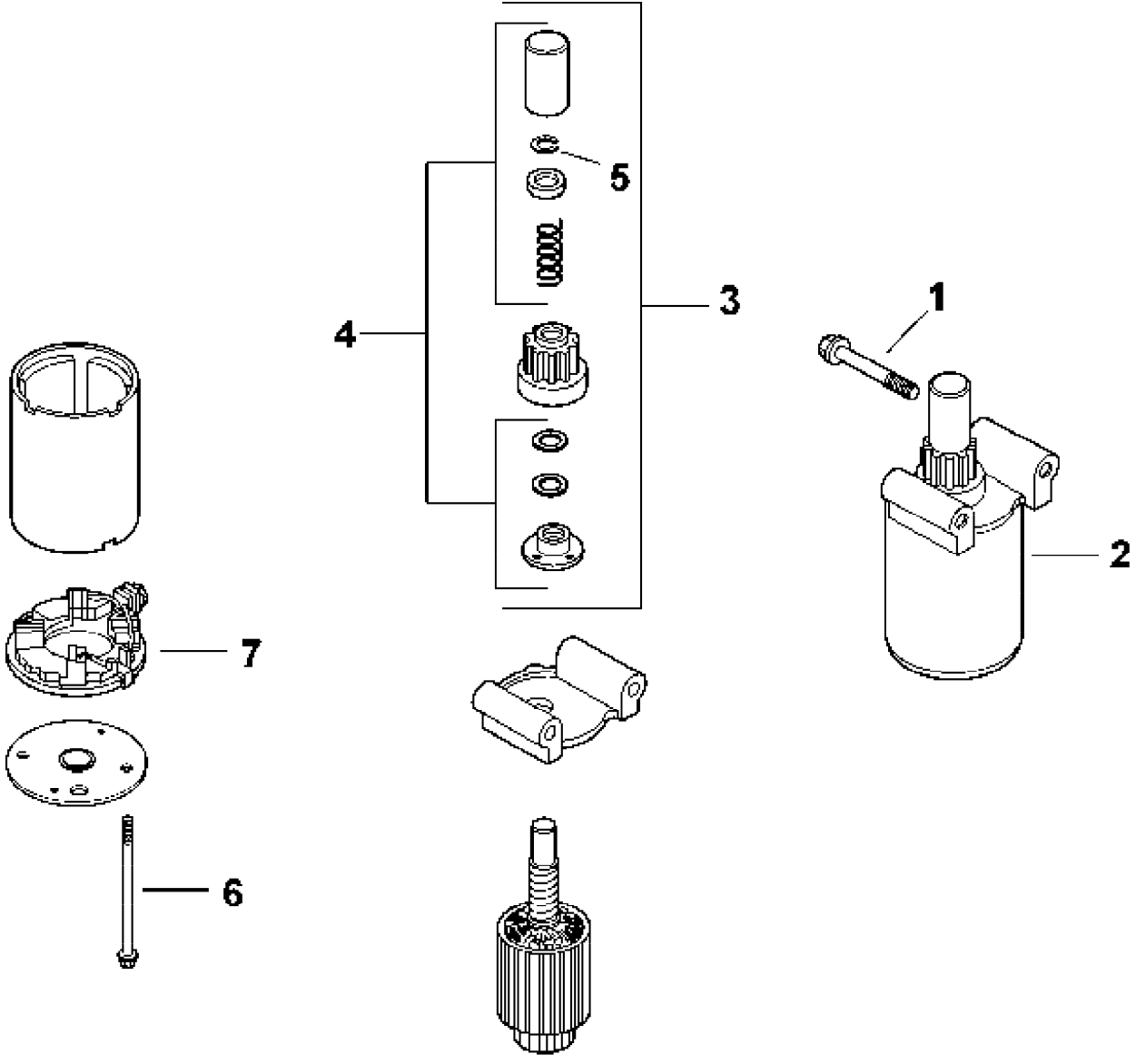


Ref #	Part Number	Qty	Description
1	32 199 02-S	1	PAN ASSEMBLY, OIL
2	32 086 01-S	2	SCREW, SHD THD FRM M6x1.0x26.5
3	32 393 10-S	1	PUMP ASSEMBLY, OIL
4	24 043 12-S	1	KIT, GOVERNOR GEAR W/PIN
5	12 380 01-S	1	PIN, GOVERNOR REGULATING
6	24 448 02-S	1	TAB, LOCKING
7	12 144 02-S	1	SHAFT, GOVERNOR GEAR
8	52 032 08-S	1	SEAL, OIL (PTO END)
9	32 123 01-S	1	TUBE, OIL FEED - FILTER TO PAN
10	32 123 03-S	1	TUBE, OIL FEED - PAN TO FILTER
11	24 153 01-S	2	O-RING, OIL PICK-UP
12	32 029 07-S	1	KIT, ADAPTER OIL FILTER
13	25 139 60-S	1	PLUG, CTSK 1/8"
14	32 153 04-S	1	O-RING, OIL FILTER ADAPTER
15	32 136 03-S	1	NIPPLE, OIL FILTER
16	12 050 01-S	1	FILTER, OIL
17	24 086 17-S	10	SCREW, FLG M8X1.25X45
18	25 139 57-S	1	PLUG, SQ HD PIPE 3/8"



**Artwork is representative.
Actual piece parts will differ depending on model and specification number.**

Ref #	Part Number	Qty	Description
	32 522 03	1	SV710-740 SHORT BLOCK



Ref #	Part Number	Qty	Description
1	M-839080-S	2	SCREW, FLG M8X1.25X80
2	32 098 01-S	1	STARTER ASSEMBLY
3	12 755 39-S	1	KIT, DRIVE
4	12 755 38-S	1	KIT, DRIVE PARTS
5	32 141 01-S	1	RING, RETAINING
6	32 211 01-S	2	BOLT, THRU
7	12 243 04-S	1	COMMUTATOR, END CAP