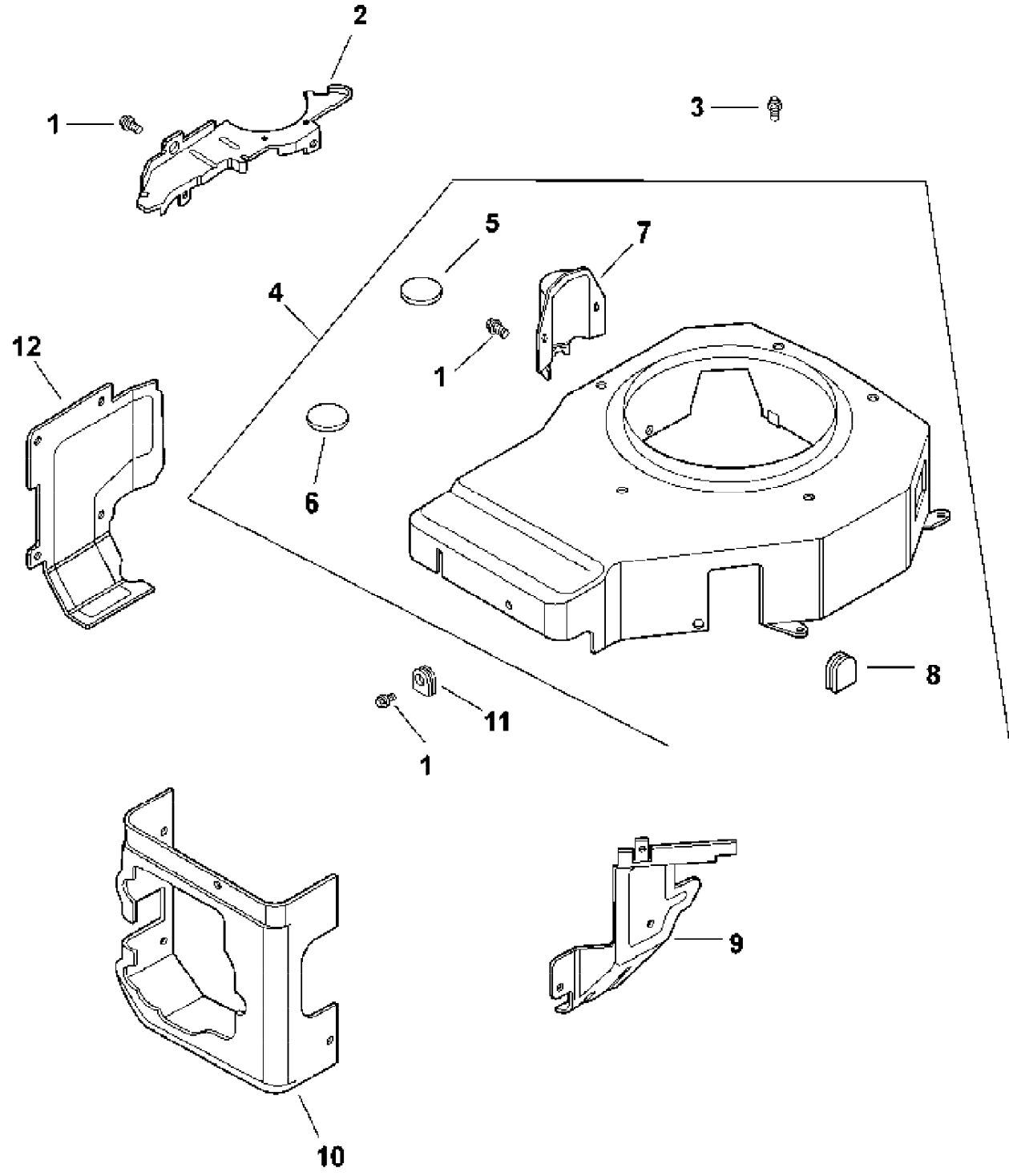
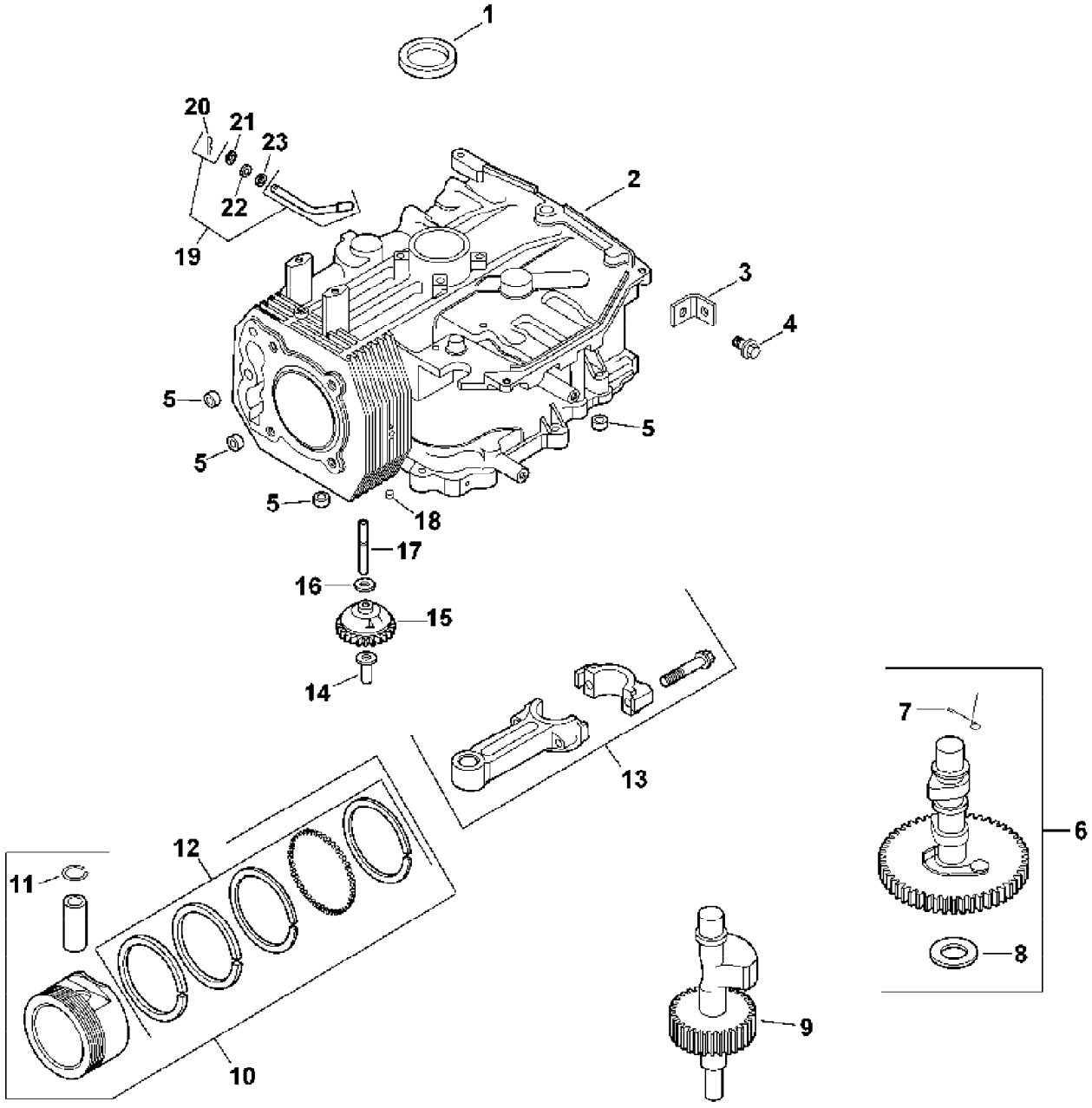


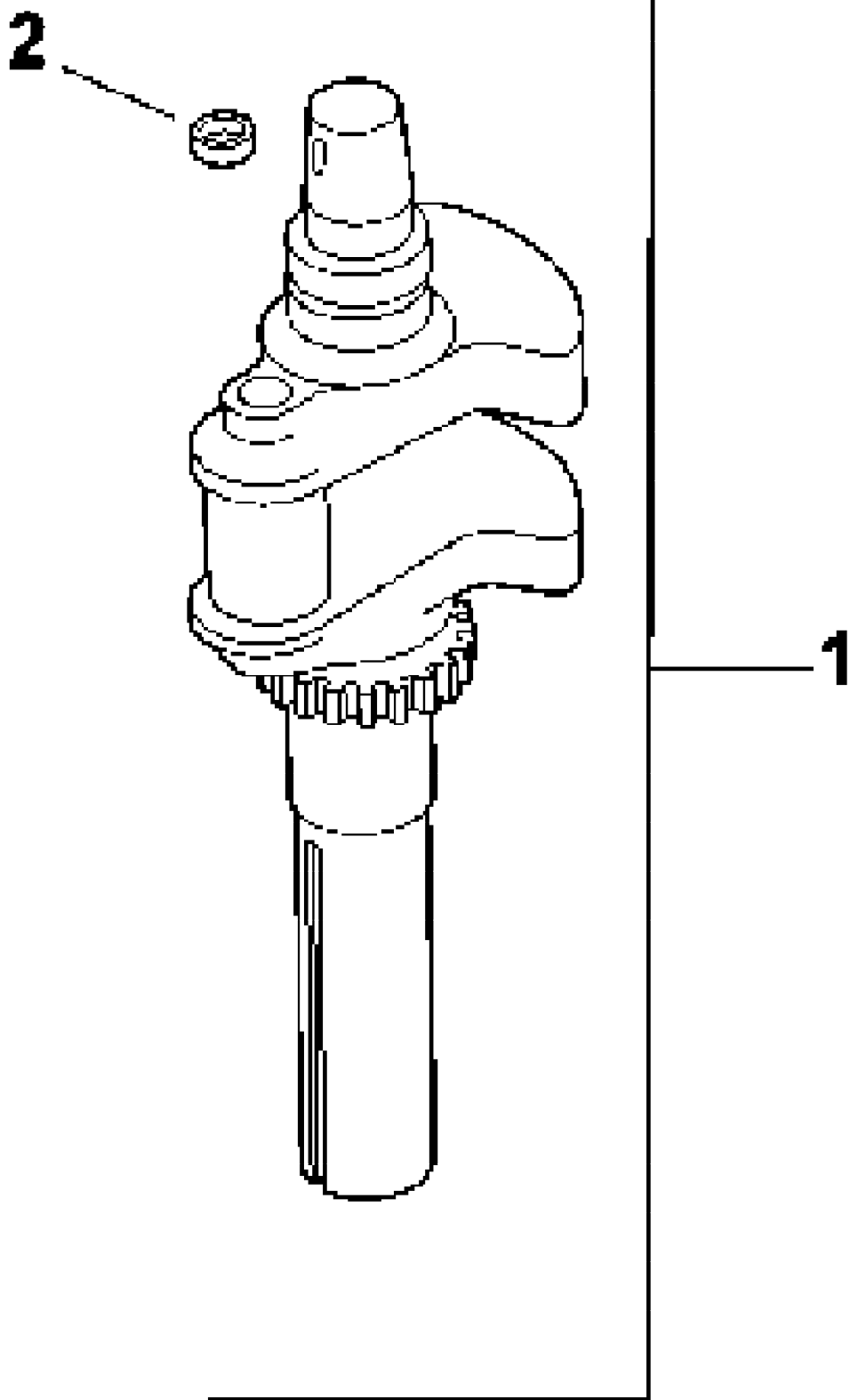
Ref #	Part Number	Qty	Description
1	25 341 04-S	1	KNOB, COVER
2	12 096 44-S	1	COVER, AIR CLEANER
3	12 083 12-S	1	PRE-CLEANER
4	12 083 10-S	1	FILTER, ELEMENT
5	12 100 01-S	1	NUT, WING
6	12 032 11-S	1	SEAL
7	12 072 04-S	1	STUD, MOUNTING PLATE
8	12 086 01-S	2	SCREW, THD FRM #10 HI-LO
9	12 094 14-S	1	BASE, AIR CLEANER
10	12 041 02-S	1	GASKET, AIR CLEANER BASE
	12 743 04-S	1	KIT, AIR CLEANER
	12 281 02-S	1	DUCT, AIR



Ref #	Part Number	Qty	Description
1	M-545010-S	8	SCREW, FLG THD FRM M5X.8X10
2	12 146 07-S	1	PLATE, BACKING
3	M-550010-S	6	SCREW, HVY FLG M5X.8X10
4	12 027 72-S	1	KIT, BLOWER HOUSING
5	25 139 17-S	1	PLUG, BUTTON 1/2
6	25 139 16-S	1	PLUG, BUTTON 9/16
7	12 096 39-S	1	COVER, STARTER
8	12 313 05-S	2	GROMMET
9	12 063 10-S	1	BAFFLE, INTAKE SIDE
10	12 063 08-S	1	BAFFLE, CYLINDER HEAD
11	12 313 03-S	1	GROMMET
12	12 063 19-S	1	BAFFLE, CYLINDER
	M-561016-S	1	SCREW, FLG THD FRM M5X.8X16
	41 037 10-S	1	NAMEPLATE, SERVICE

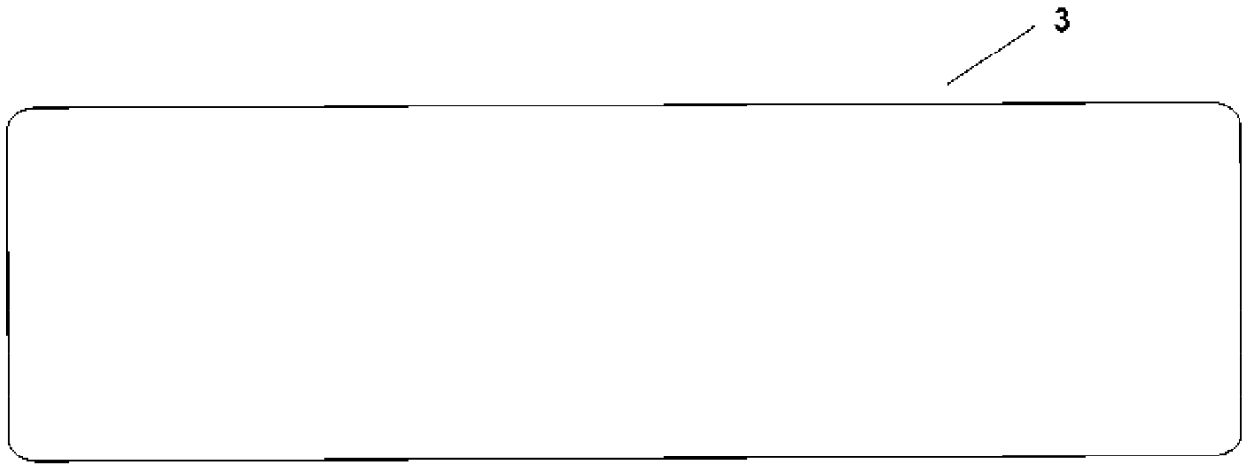
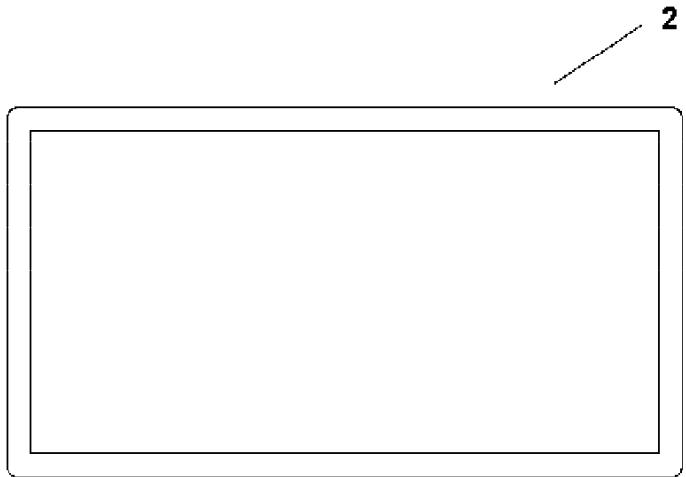
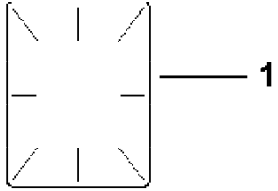


Ref #	Part Number	Qty	Description
1	12 032 03-S	1	SEAL, OIL (PTO END)
2		1	CRANKCASE ( USE: SHORT BLOCK)
3	12 445 02-S	1	STRAP
4	M-839025-S	1	SCREW, FLG M8X1.25X25
5	24 380 16-S	4	PIN, LOCATING
6	12 755 49-S	1	KIT, CAMSHAFT
7	12 089 37-S	1	SPRING, ACTUATING
8	12 422 07-S	A.R.	SHIM, CAMSHAFT (WHITE .028")
	12 422 08-S	A.R.	SHIM, CAMSHAFT (BLUE .03")
	12 422 09-S	A.R.	SHIM, CAMSHAFT (RED .032")
	12 422 10-S	A.R.	SHIM, CAMSHAFT (YELLOW .034")
	12 422 11-S	A.R.	SHIM, CAMSHAFT (GREEN .036")
	12 422 12-S	A.R.	SHIM, CAMSHAFT (GRAY .038")
	12 422 13-S	A.R.	SHIM, CAMSHAFT (BLACK .04")
9	12 144 27-S	1	SHAFT, BALANCE
10	12 874 07-S	1	KIT, PISTON W/RING SET (STD)
	12 874 11-S	1	KIT, PISTON W/RING SET (.08)
	12 874 08-S	1	KIT, PISTON W/RING SET (.25)
	12 874 09-S	1	KIT, PISTON W/RING SET (.50)
11	12 018 02-S	2	RETAINER
12	12 108 07-S	1	RING SET (STD & .08)
	12 108 08-S	1	RING SET (.25)
	12 108 09-S	1	RING SET (.50)
13	12 067 05-S	1	ROD, CONNECTING (STD)
	12 067 06-S	1	ROD, CONNECTING (.25)
14	12 380 01-S	1	PIN, GOVERNOR REGULATING
15	12 043 05-S	1	GOVERNOR GEAR ASSEMBLY
16	M-631005-S	1	WASHER, FLAT 6 MM
17	12 144 02-S	1	SHAFT, GOVERNOR GEAR
18	52 139 09-S	1	PLUG, CUP
19	12 755 64-S	1	KIT, GOVERNOR CROSS SHAFT
20	12 154 05-S	1	CLIP, HITCH PIN
21	M-631015-S	1	WASHER, FLAT 6 MM
22	12 032 01-S	1	SEAL
23	X-25-102-S	1	WASHER, FLAT 1/4"
	25 357 14-S	1	LUBRICANT, CAMSHAFT



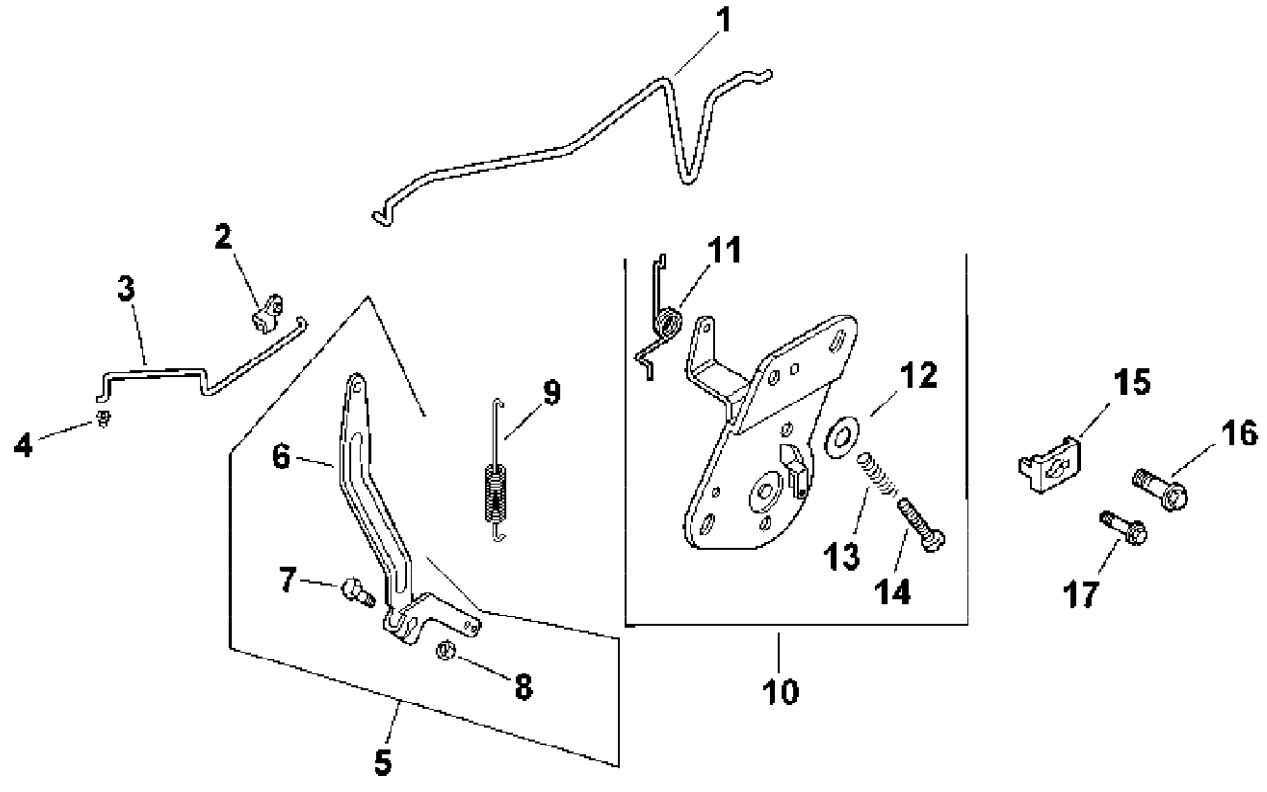
Ref #	Part Number	Qty	Description
1	12 014 30-S	1	CRANKSHAFT
2	12 139 01-S	1	PLUG



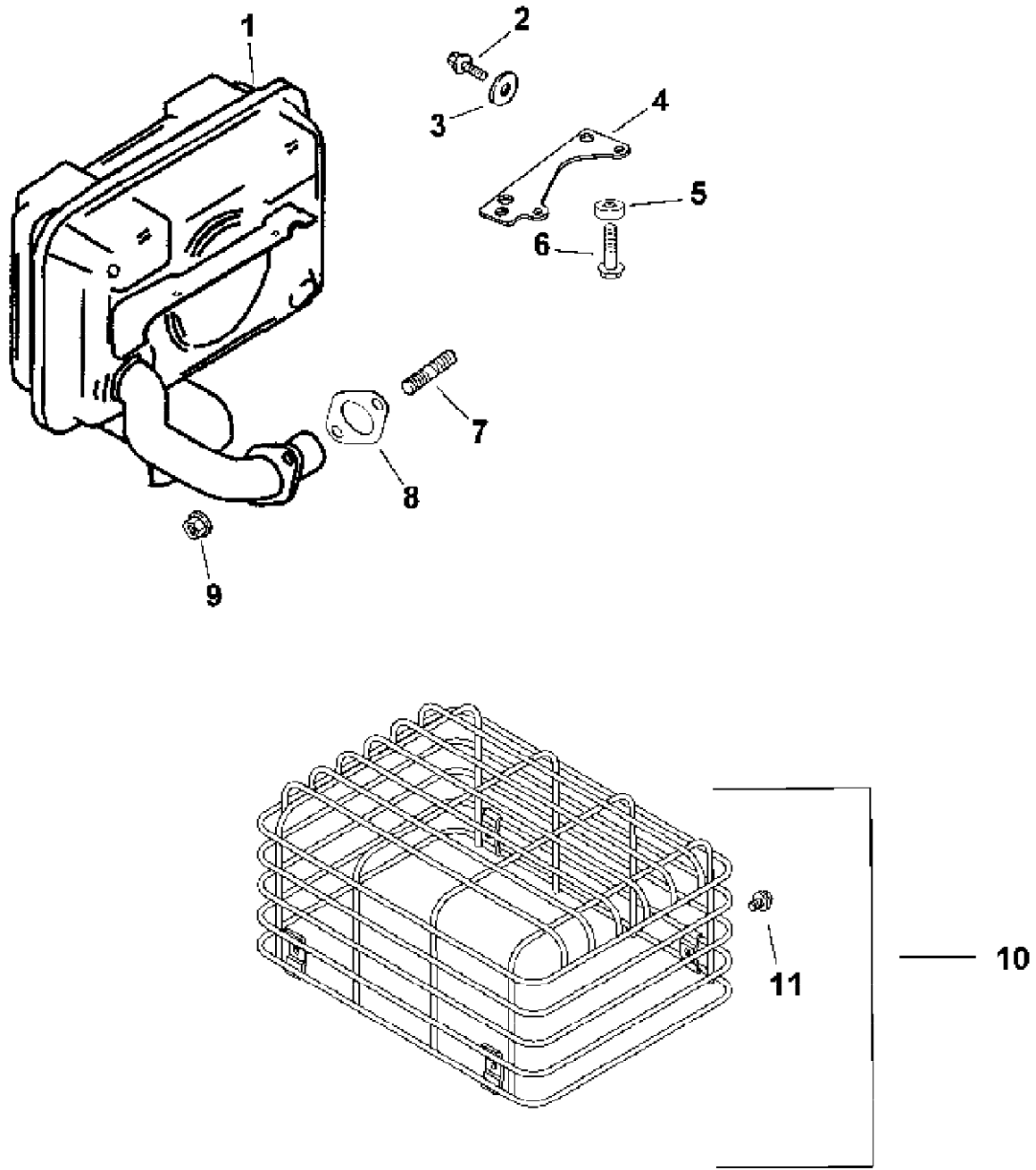


Artwork is representative.  
Actual labels may differ depending on model and specification number.

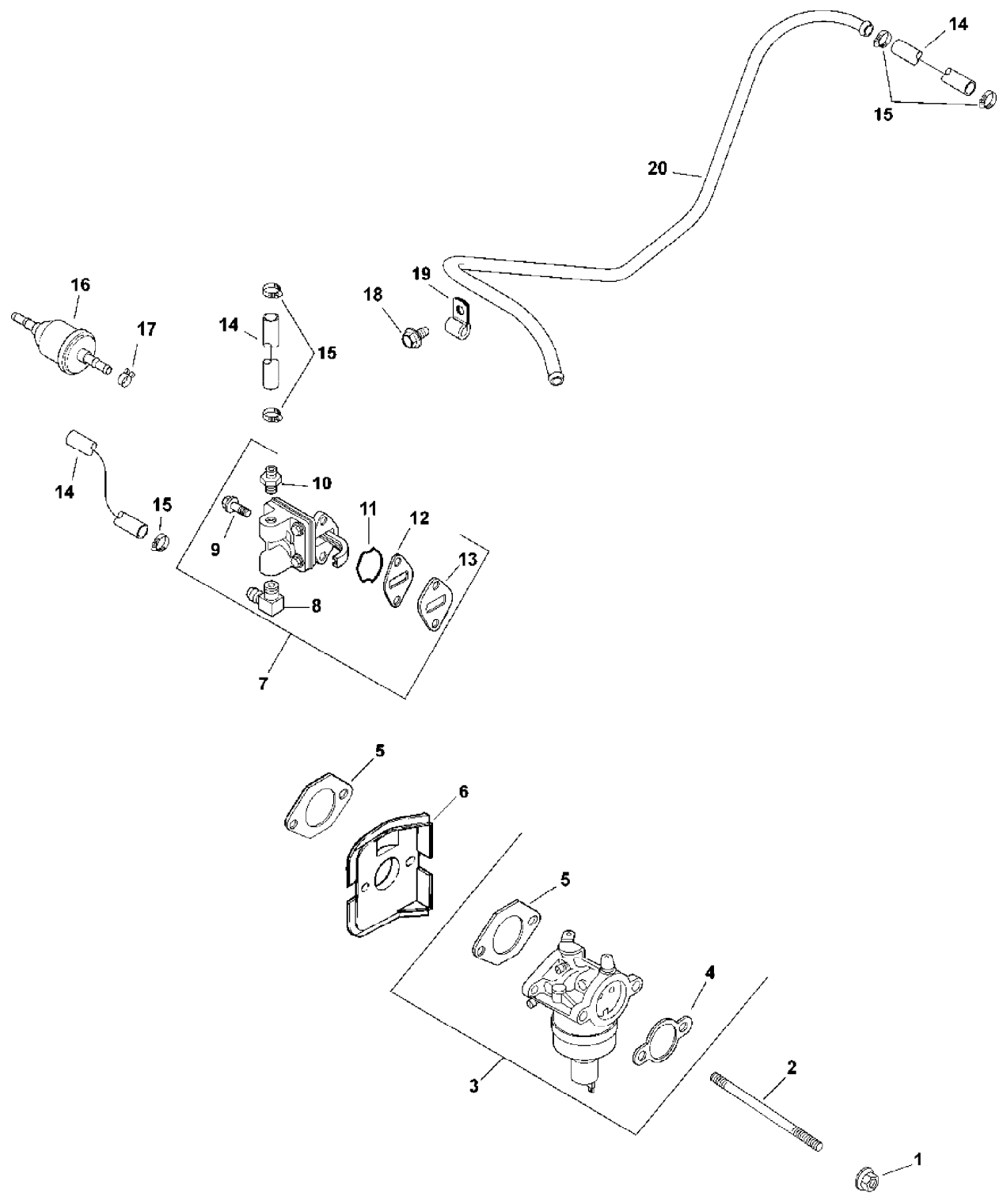
Ref #	Part Number	Qty	Description
1	25 113 39-S	1	DECAL, CLEAR LAMINATE
2	12 113 04-S	1	DECAL, AIR CLEANER
3	12 113 112-S	1	DECAL, 15 HP



Ref #	Part Number	Qty	Description
1	12 079 07-S	1	LINKAGE, CHOKE
2	25 158 11-S	1	BUSHING, THROTTLE LINKAGE
3	12 079 01-S	1	LINKAGE, THROTTLE
4	25 158 08-S	1	BUSHING, LINKAGE RETAINING
5	12 755 83-S	1	KIT, GOVERNOR LEVER
6	12 090 28-S	1	LEVER, GOVERNOR
7	52 211 04-S	1	BOLT, RD HD SQ NCK 1/4-20X1"
8	12 100 07-S	1	NUT, HEX FLG 1/4-20"
9	12 089 19-S	1	SPRING, GOVERNOR
10	12 536 01-S	1	CONTROL, SPEED
11	12 089 23-S	1	SPRING
12	M-931010-S	2	WASHER, FLAT 9 MM
13	12 089 11-S	1	SPRING, SPEED CONTROL (SHORT)
14	12 086 39-S	1	SCREW, PAN HEAD
15	12 237 01-S	1	CLAMP, CABLE
16	M-664020-S	2	SCREW, LBD SKT M6x1.0x20
17	M-545016-S	1	SCREW, FLG THD FRM M5X0.8X16



Ref #	Part Number	Qty	Description
1	12 068 40-S	1	MUFFLER
2	M-645016-S	2	SCREW, FLG THD FRM M6X1.0X16
3	X-25-78-S	1	WASHER
4	12 126 71-S	1	BRACKET, MUFFLER
5	12 112 20-S	1	SPACER
6	M-645025-S	2	SCREW, FLG THD FRM M6X1.0X25
7	25 072 04-S	2	STUD, M8X1.25X33
8	12 041 03-S	1	GASKET
9	M-841080-S	2	NUT, FLG M8X1.25
10	12 755 107-S	1	KIT, MUFFLER GUARD
11	M-545010-S	4	SCREW, FLG THD FRM M5X0.8X10
	M-545016-S	1	SCREW, FLG THD FRM M5X0.8X16

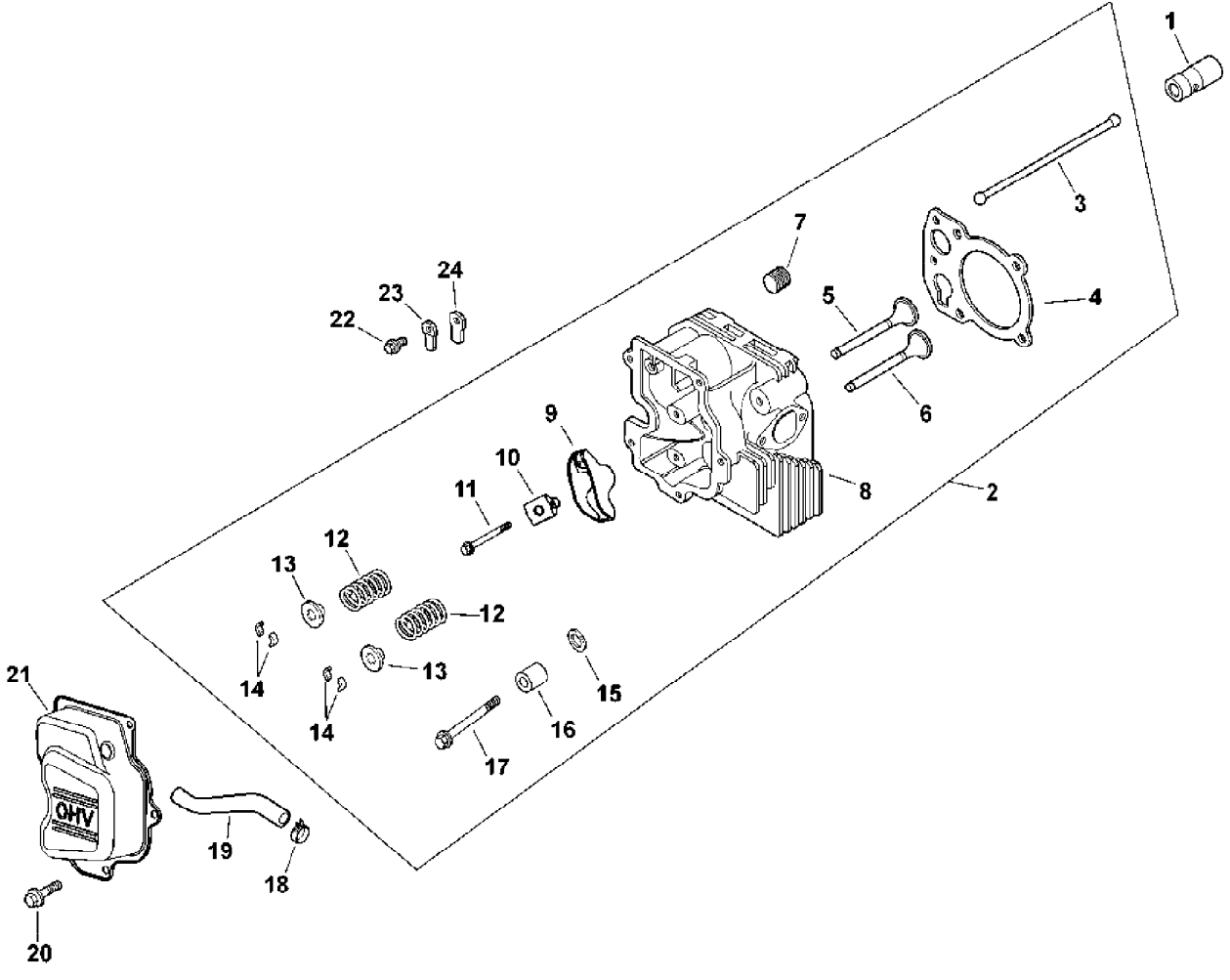


Ref #	Part Number	Qty	Description
1	M-641060-S	2	NUT, FLG M6X1.0
2	M-629116-S	2	STUD,M6X1.0X116
3	12 853 158-S	1	KIT, CARBURETOR w/GASKETS
4	12 041 02-S	1	GASKET, AIR CLEANER
5	12 041 01-S	2	GASKET, CARBURETOR
6	12 265 08-S	1	DEFLECTOR, HEAT
7	12 559 02-S	1	KIT, FUEL PUMP
8	12 294 13-S	1	CONNECTOR, 90° HOSE
9	M-664020-S	2	SCREW, LBD SKT M6x1.0x20
10	25 294 09-S	1	KIT, STRAIGHT FITTING
11	25 153 04-S	1	O-RING
12	25 041 10-S	1	GASKET, FUEL PUMP
13	12 112 05-S	1	SPACER, FUEL PUMP
14	25 111 34-S	1	LINE, FUEL (24"-CUT TO LENGTH)
15	25 237 14-S	5	CLAMP, SPRING HOSE 1/2"
16	25 050 22-S	1	FILTER, FUEL
17	25 237 08-S	1	CLAMP, BAND SPRING HOSE
18	M-545010-S	1	SCREW, FLG THD FRM M5X.8X10
19	12 154 01-S	1	CLAMP, INSULATED
20	12 123 19-S	1	LINE, FUEL
	12 757 02-S	1	KIT, REPAIR FLOAT
	12 757 03-S	1	KIT, REPAIR CARBURETOR
	12 757 08-S	1	KIT, CHOKE REPAIR
	12 757 33-S	1	KIT, REPAIR SOLENOID
	12 757 37-S	1	KIT, REPAIR BOWL REPLACEMENT
	25 141 06-S	1	TOOL, INSTALLATION (SNAP RING)

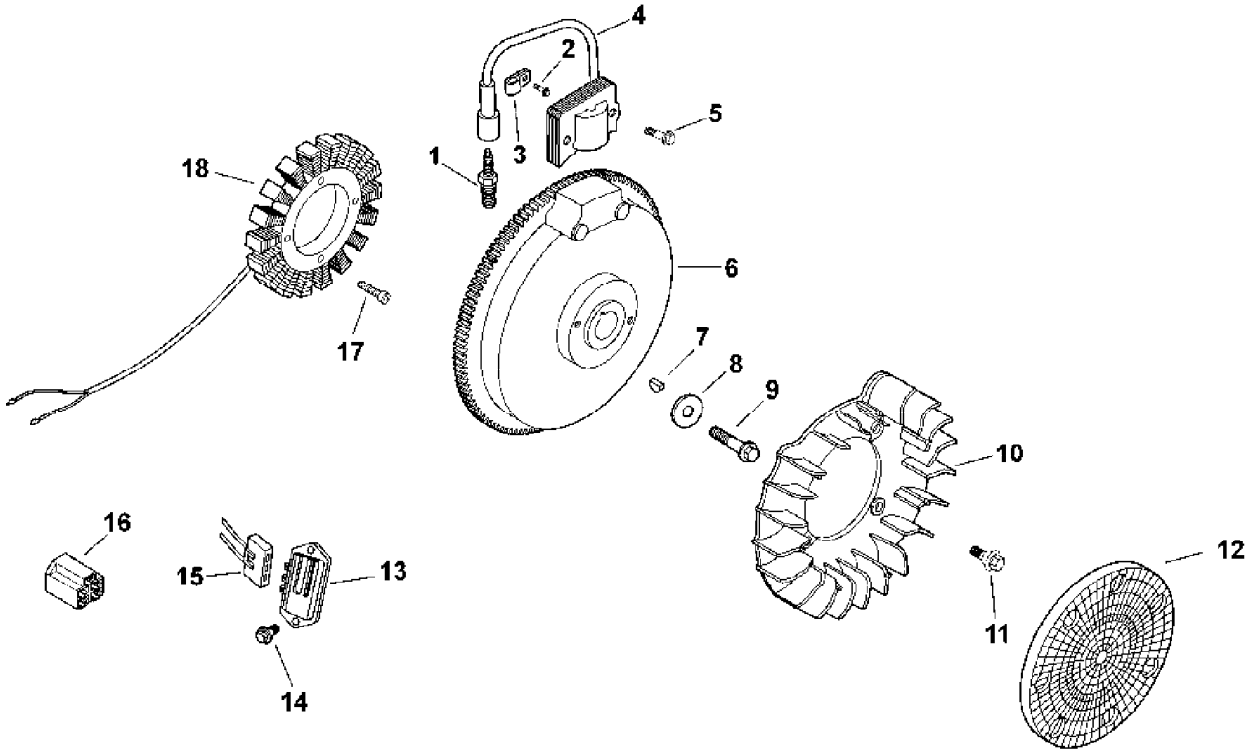


This group for this specification number does not currently have a supporting illustration.

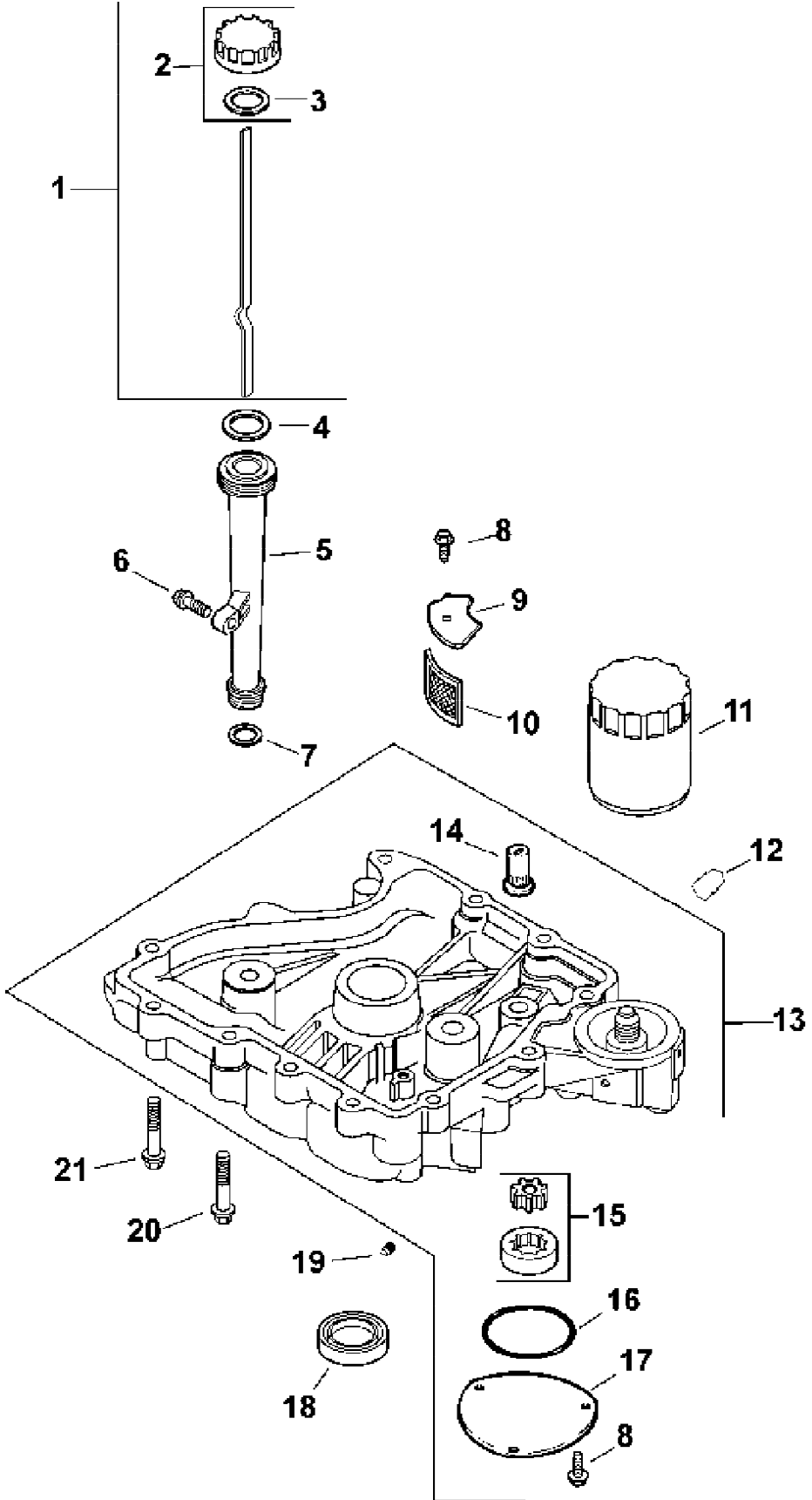
Ref #	Part Number	Qty	Description
	12 755 93-S	1	GASKET SET
	12 032 03-S	2	SEAL, OIL (PTO END)
	12 032 04-S	1	O-RING
	12 041 01-S	2	GASKET, CARBURETOR
	12 041 02-S	1	GASKET, AIR CLEANER BASE
	12 041 03-S	1	GASKET, EXHAUST MANIFOLD
	12 041 07-S	1	GASKET
	12 041 08-S	1	GASKET
	12 041 09-S	1	GASKET
	12 041 10-S	1	GASKET, CYLINDER HEAD
	12 086 16-S	2	SCREW, FLG M10X1.5X90
	12 153 01-S	2	O-RING, LOWER OIL FILL TUBE
	12 153 04-S	1	O-RING
	12 153 05-S	1	O-RING
	12 153 06-S	1	O-RING
	20 086 02-S	5	SCREW, FLG M10X1.5X80
	25 041 10-S	1	GASKET, FUEL PUMP
	25 153 04-S	1	O-RING
	66 032 05-S	2	SEAL, VALVE SYSTEM



Ref #	Part Number	Qty	Description
1	25 351 01-S	1	USE 25 351 04-S
2	12 755 81-S	1	KIT, CYLINDER HEAD
3	12 411 04-S	1	ROD, PUSH
4	12 041 10-S	1	GASKET, CYLINDER HEAD
5	12 017 01-S	1	VALVE, INTAKE
6	12 016 01-S	1	VALVE, EXHAUST
7	25 139 60-S	1	PLUG, CTSK PIPE 1/8"
8	12 318 19-S	1	KIT, HEAD, CYLINDER
9	25 186 01-S	2	ARM, ROCKER
10	12 599 03-S	2	PIVOT, ROCKER ARM
11	M-640034-S	2	SCREW, FLG M6X1.0X34
12	12 089 34-S	2	SPRING, VALVE
13	12 173 01-S	2	CAP, VALVE SPRING
14	12 755 03-S	2	KIT, RETAINER
15	12 468 05-S	1	WASHER, FLAT 13/32"
16	12 112 13-S	1	SPACER, HEAD BOLT EXHAUST PORT
17	20 086 02-S	5	SCREW, FLG M10X1.5X80
18	25 237 14-S	2	CLAMP, SPRING HOSE 1/2"
19	12 326 18-S	1	HOSE, BREATHER
20	M-645016-S	5	SCREW, FLG THD FRM M6X1.0X16
21	12 096 47-S	1	COVER, ROCKER
22	M-545010-S	1	SCREW, FLG THD FRM M5X.8X10
23	66 018 04-S	1	RETAINER, REED
24	12 402 02-S	1	REED, BREATHER
	12 017 02-S	1	VALVE INTAKE
	12 016 02-S	1	VALVE, EXHAUST
	12 041 01-S	1	GASKET, CARBURETOR
	12 041 02-S	1	GASKET, AIR CLEANER BASE
	12 041 03-S	1	GASKET, EXHAUST MANIFOLD



Ref #	Part Number	Qty	Description
1	25 132 12-S	1	PLUG, SPARK
2	M-545010-S	2	SCREW, FLG THD FRM M5X.8X10
3	X-728-1-S	2	CLIP
4	12 584 04-S	1	MODULE, IGNITION
5	M-545020-S	2	SCREW, FLG THD FRM M5X.8X20
6	12 025 82-S	1	FLYWHEEL
7	X-42-15-S	1	KEY, 3/16" X 5/8"
8	12 468 03-S	1	WASHER, FLAT 13/32"
9	12 086 14-S	1	SCREW, FLG M10X1.5X45
10	12 157 03-S	1	FAN
11	25 086 47-S	4	BOLT, SHOULDER
12	24 162 03-S	1	SCREEN, GRASS
13	41 403 09-S	1	RECTIFIER-REGULATOR
14	M-639016-S	2	SCREW, FLG M6X1.0X16
15	236602-S	1	CONNECTOR (3 CONTACT)
16	48 155 01-S	1	CONNECTOR
17	M-548025-S	2	SCREW, THD FRM M5X.8X25
18	237878-S	1	KIT, 15 AMP STATOR
	12 126 96-S	1	BRACKET, GROUND STRAP
	12 518 01-S	1	LEAD
	25 518 05-S	1	LEAD
	25 452 01-S	2	TERMINAL

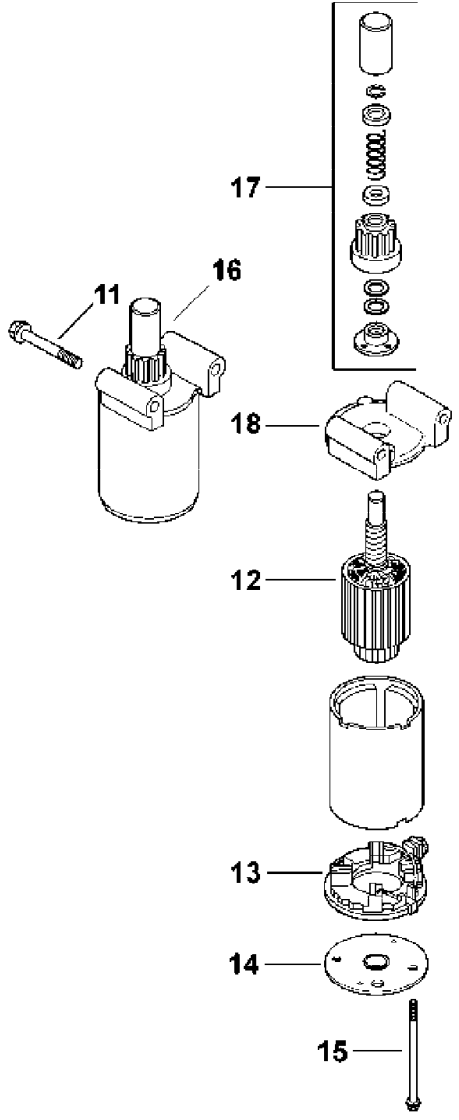
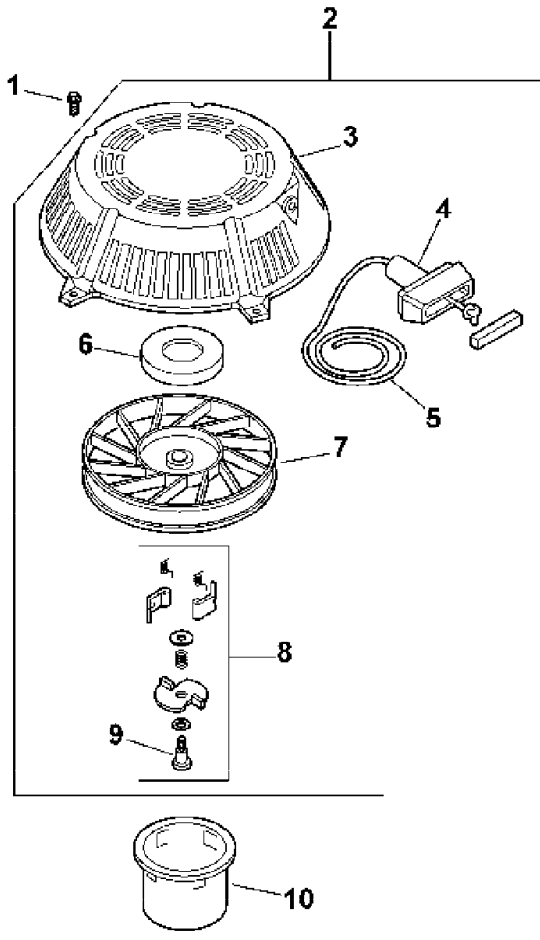


Ref #	Part Number	Qty	Description
1	12 038 02-S	1	DIPSTICK, ASSEMBLY
2	24 755 46-S	1	KIT, OIL FILL CAP
3	25 153 02-S	1	O-RING, DIPSTICK
4	12 153 02-S	1	O-RING, UPPER OIL FILL TUBE
5	12 123 04-S	1	KIT, OIL FILL TUBE
6	M-545020-S	1	SCREW, FLG THD FRM M5X0.8X20
7	12 153 01-S	1	O-RING, LOWER OIL FILL TUBE
8	M-545016-S	4	SCREW, FLG THD FRM M5X0.8X16
9	12 096 03-S	1	COVER
10	25 162 07-S	1	SCREEN, OIL
11	52 050 02-S	1	FILTER, OIL
12	25 139 57-S	2	PLUG, SQ HD PIPE 3/8"
13	12 199 50-S	1	OIL PAN
14	25 462 09-S	1	VALVE, OIL PRESSURE RELIEF
15	12 393 01-S	1	PUMP ASSEMBLY, OIL
16	12 153 06-S	1	O-RING
17	12 096 34-S	1	COVER, OIL PUMP
18	12 032 03-S	1	SEAL, OIL (PTO END)
19	25 139 52-S	1	PLUG, PIPE 1/8 NPTF-SQ.HD.
20	24 086 16-S	11	SCREW, FLG M8X1.25X45
21	24 086 17-S	1	SCREW, FLG M8X1.25X45



This group for this specification number does not currently have a supporting illustration.

Ref #	Part Number	Qty	Description
	12 522 18	1	CV15 SHORT BLOCK



Ref #	Part Number	Qty	Description
1	M-550010-S	5	SCREW, HVY FLG M5X.8X10
2	12 165 01-S	1	STARTER ASSEMBLY,RETRACTABLE
3	12 081 01-S	1	HOUSING
4	25 166 01-S	1	HANDLE, RECOIL STARTER
5	12 160 01-S	1	ROPE
6	12 089 06-S	1	SPRING & KEEPER
7	12 093 01-S	1	PULLEY
8	12 757 06-S	1	KIT, DOG REPAIR
9	41 086 09-S	1	SCREW
10	15 109 01-S	1	CUP
11	M-839070-S	2	SCREW, FLG M8X1.25X70
12	12 170 05-S	1	ARMATURE
13	12 221 01-S	1	BRUSH KIT
14	12 227 13-S	1	CAP
15	12 211 01-S	1	BOLT, THRU #10-24X4 13/32"
16	12 098 22-S	1	STARTER ASSEMBLY
17	12 755 53-S	1	KIT, DRIVE
18	12 227 19-S	1	CAP, DRIVE END
	12 113 71-S	1	DECAL, STARTING/STOPPING