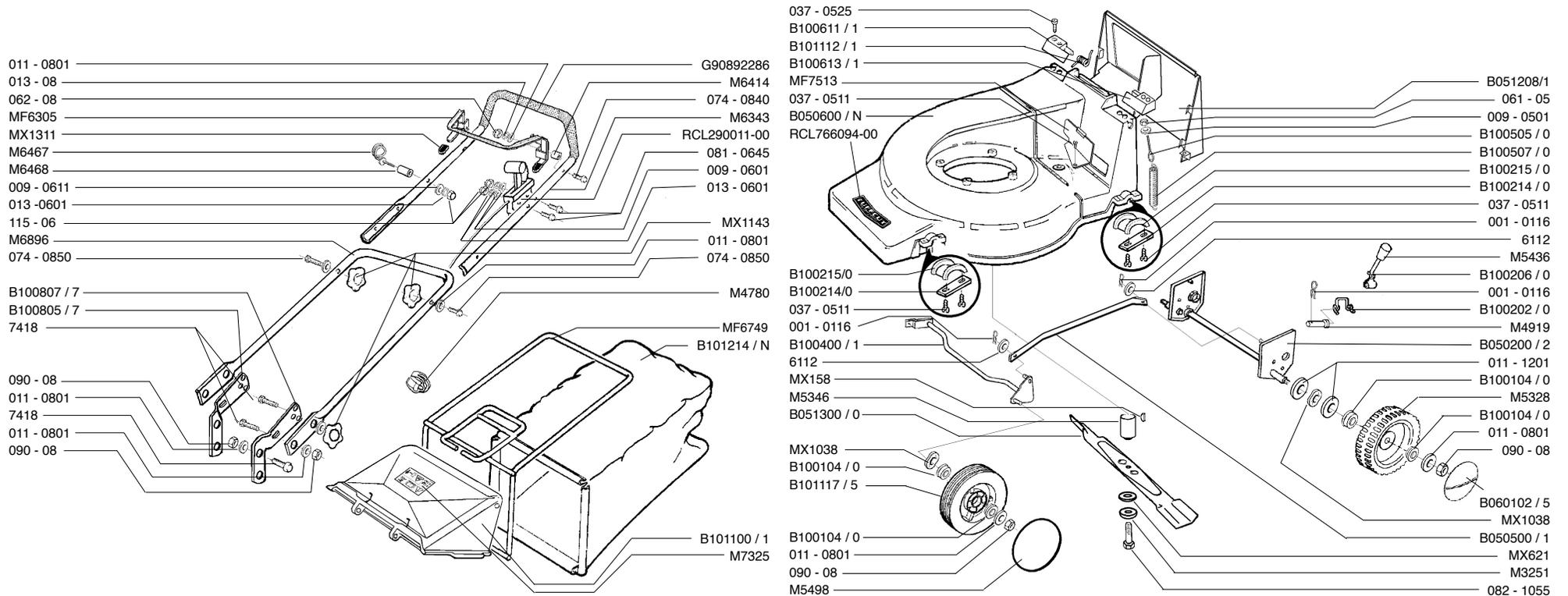


TUFFCUT LAWNMOWERS

Tuffcut

Petrol Lawnmower Hand Propelled

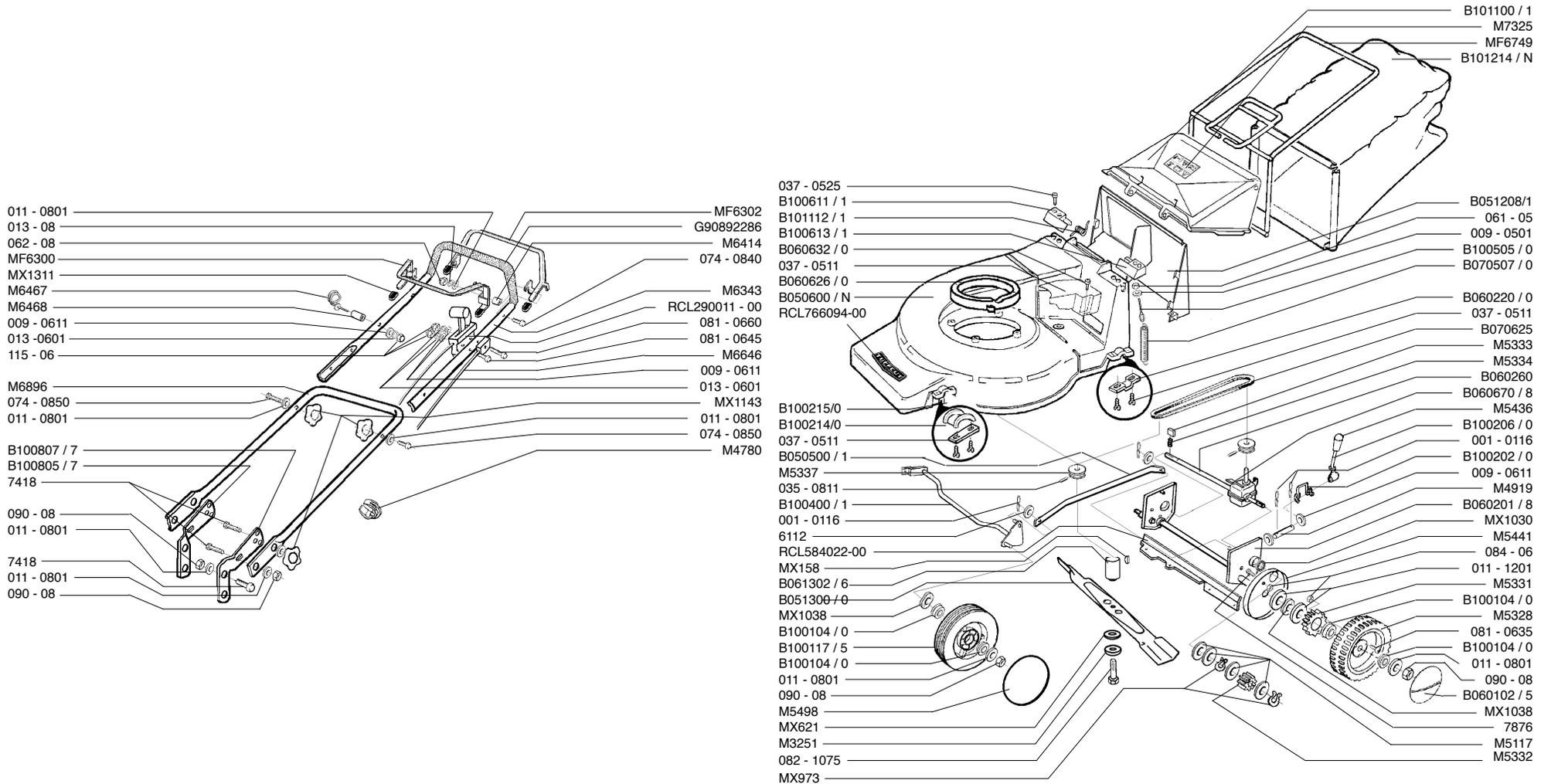
Type No: MP90301



Tuffcut

Petrol Lawnmower Self Propelled

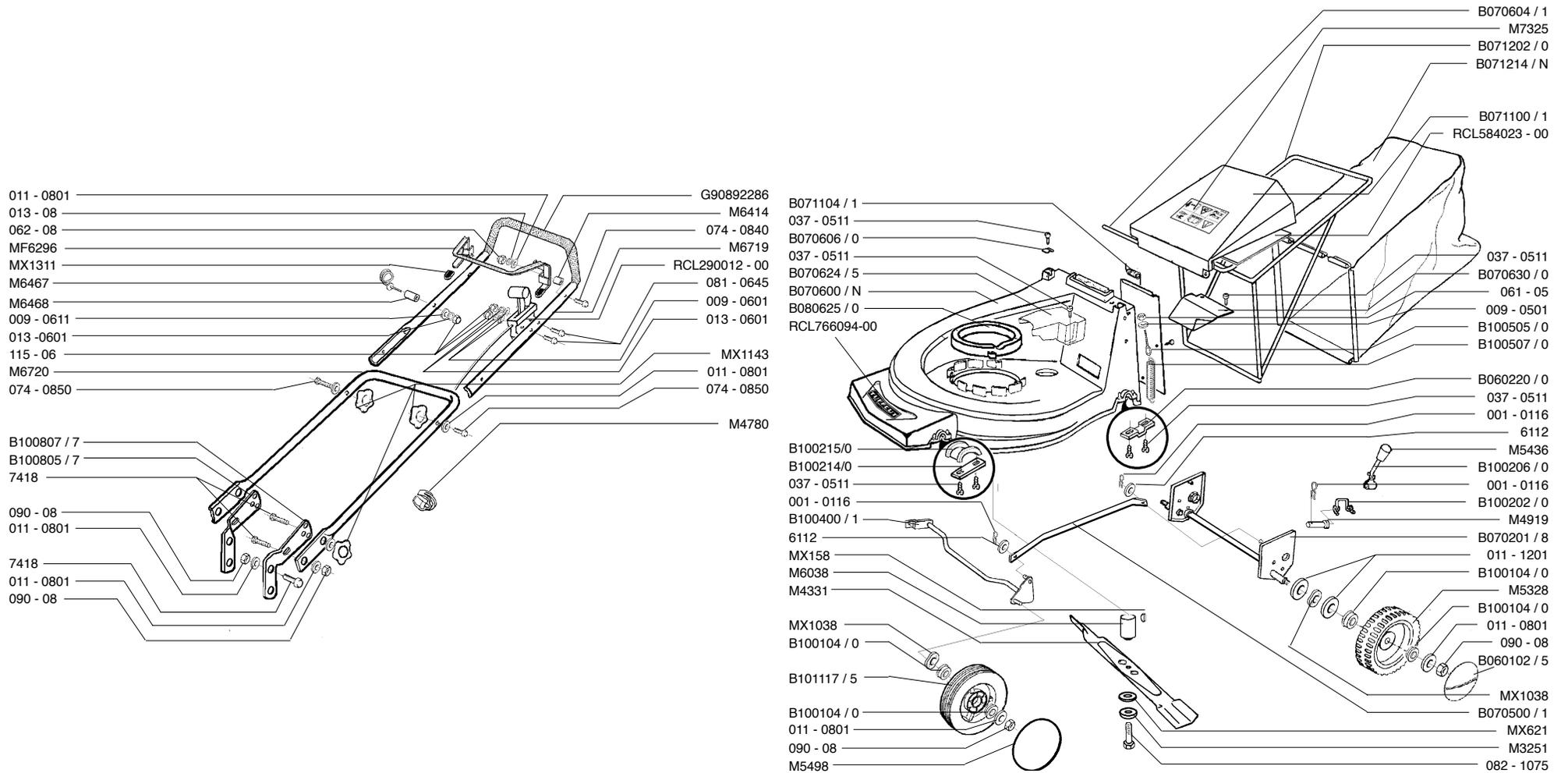
Type No: MP90401



Tuffcut

Petrol Lawnmower Hand Propelled

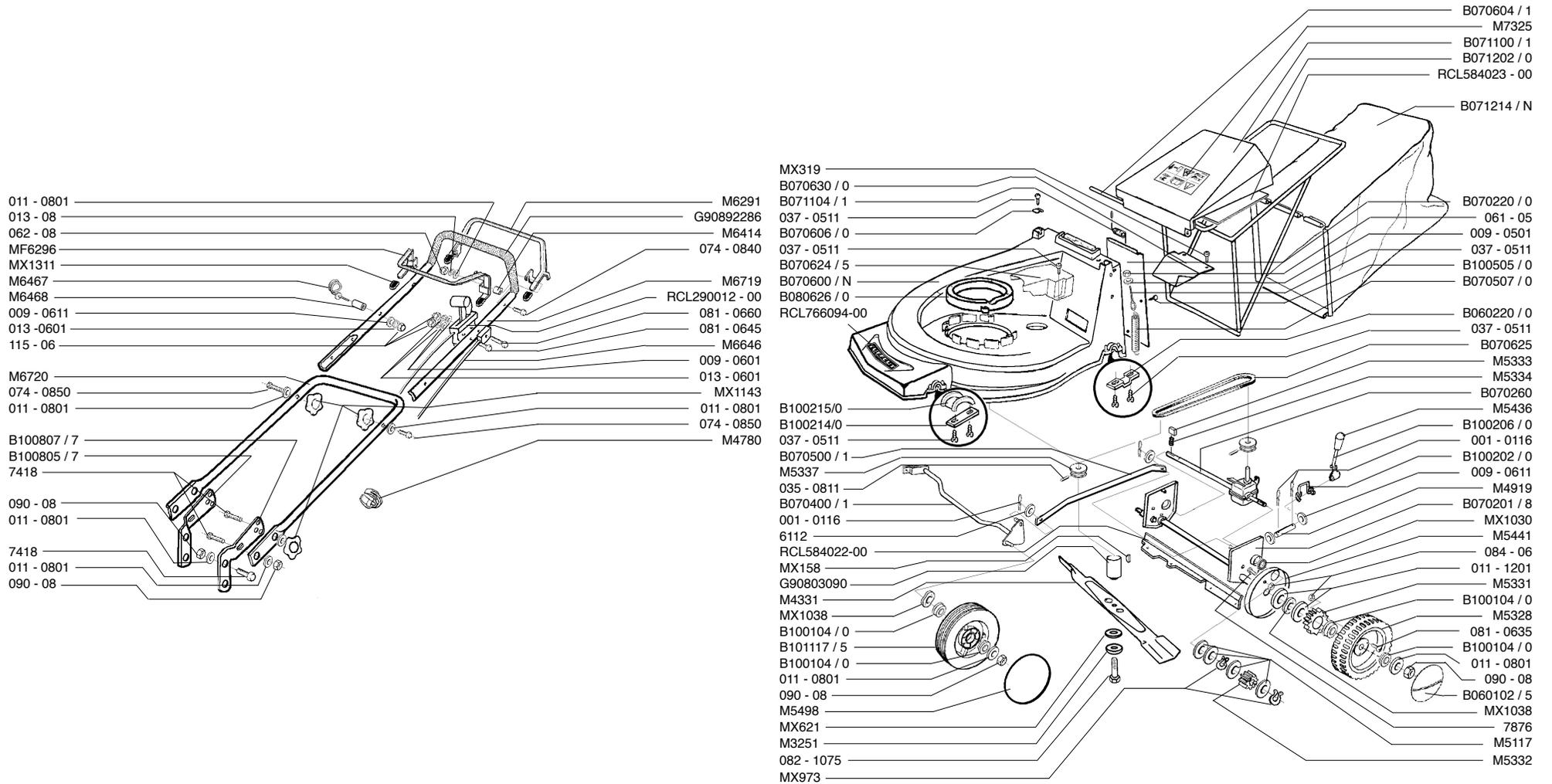
Type No: MP90501



Tuffcut

Petrol Lawnmower Self Propelled

Type No: MP90601





Tuffcut 48 HP
48cm Hand Propelled Lawnmower
Type No: MPR10034

FILE IN:
SECTION: MPR10034
ISSUED: Jan 1998
REVISED:

TUFFCUT 48 HP 48cm
Type No: MPR10034



Tuffcut 48 HP

48cm Hand Propelled Lawnmower

Type No: MPR10034

FILE IN:
SECTION: MPR10034
ISSUED: JAN 1998
REVISED:

Ill. No. Numéro Eclaté Bild Nr.	Part No. Référence Fournisseur Teil Nr.	Qty per M/c Quantité par machine Menge	Description	Désignation
E012	G90892078	1	Nut	Ecrou
E014	M084-08	1	Nut	Ecrou
E015	G90315001	2	Nut	Ecrou
E018	G90805503	1	Nut	Ecrou
E019	G90805504	2	Nut	Ecrou
E021	G90105406	1	Nut	Ecrou
R005	G90800035	1	Washer	Rondelle
R007	G90807501	1	Washer	Rondelle
R012	RCL009-1224A	2	Plain washer	Rondelle
R013	G90100068	2	Spring washer	Rondelle
R020	G90892018	2	Washer	Rondelle
R029	RCL135-0813	1	Starlock washer	Rondelle
T000	00100351	1	Motor	Moteur
T002	M4961	1	Spring cover	Cache barre liaison
T003	B050600/0	1	Casing	Carter
T004	G90892046	1	Key	Clavette
T005	G90808008	1	Blade boss	Support lame
T006	G90892303	1	Blade	Lame
T007	MX621	1	Washer disc spring	Rondelle
T008	M3251	1	Clamp washer	Rondelle de lame
T009	G90892502	1	Bolt	Vis
T012	MX1309	2	Front wheel	Roue
T018	G90892695	1	Clutch cable	Cable frein
T020	G90892066	2	Handwhee - upper	Molette de guidon
T020A	G90892600	2	Handwheel - lower	Molette de guidon
T022	G90892467	2	Axle bolt	Axe roue
T023	G90892561	1	Upper handle	Guidon
T025	G92100129	1	Cable	Cable
T026	G90892469	2	Axle bolt	Axe roue
T027	MF6749	1	Grassbag Frame	Armature bac

Tuffcut 48 HP

48cm Hand Propelled Lawnmower

Type No: MPR10034

FILE IN:
SECTION: MPR10034
ISSUED: JAN 1998
REVISED:

Ill. No. Numéro Eclaté Bild Nr.	Part No. Référence Fournisseur Teil Nr.	Qty per M/c Quantité par machine Menge	Description	Désignation
T028	B101214/N	1	Grassbag	Bac
T031	B101100/1	1	Deflector	Deflecteur
T033	B101112/1	1	Deflector spring	Ressort deflecteur
T036	GJA908923-60	2	Hub cap	Cache moyeu
T037	B100215/0	1	Axle support	Support essieu
T038	G90892534/N	1	OPC lever	Levier frein
T056	M5938	2	Hub cap	Cache moyeu
T064	M5565	2	Dust cover 200mm	Protecteur roue
T066	B060220/0	1	Bracket	Bride essieu pontet
T067	G90808017/N	1	Rear axle	Essieu arriere
T080	G90803030	1	Spring	Ressort leiver
T081	G90808005/Z	1	Height adjuster lever	Leiver haut coupe
T082	G90803039	1	Knob	Boule
T092	B060632/0	1	Pulley cover	Protecteur courroie
T099	B100840/8	1	Pull cord hook	Arret lanceur dema guid lateral
T101	G90808019/N	1	Tie bar	Bielle liaison
T102	M4223	1	Balance spring	Ressort
T103	G90808015/N	1	Front axle assembly	Essieu anant
T104	B100214/0	1	Fixing plate	Bride essieu plate
T117	B051208/1	1	Grass deflector assy	Protecteur essieu
T142	M1867	1	Spring anchor	Crochet ressort
T145	B080626/N	1	Engine spacer	Embase moteur
T147	G90800013	2	Handle insert	Obturateur
T154	M5562	2	Wheel	Roue
T160	G90892559/N	1	RH handle bracket	Support guidon droite emboutir
T161	G90892558/N	1	LH handle bracket	Support guidon gauche emboutir
T162	G90808007/N	1	Height adjust bracket	Support leiver
T234	B100611/N	1	RH deflector bracket	Bride droite deflecteur1
T235	B100613/N	1	LH deflector bracket	Bride gauche deflecteur
T245	G90892538/N	1	Lower handle	Relais guidon réglable



**Mountfield
Westwood**

**Tuffcut 48 HP
48cm Hand Propelled Lawnmower
Type No: MPR10034**

FILE IN:
SECTION: MPR10034
ISSUED: JAN 1998
REVISED:

Ill. No. Numéro Eclaté Bild Nr.	Part No. Référence Fournisseur Teil Nr.	Qty per M/c Quantité par machine Menge	Description	Désignation
V020	G90105069	1	Bolt	Vis
V022	G90105072	1	Bolt	Vis
V027	G90105005	8	Bolt	Vis
V038	G90105079	1	Bolt	Vis
V056	B100216/0	2	Bolt	Vis
V067	G90800004	1	Bolt	Vis
V083	G90105115	1	Bolt	Vis
V085	G90105109	1	Bolt	Vis
V086	B100620/0	2	Bolt	Vis
V091	G90805112	1	Pin	Cheville
X005	G90105096	1	Rivet	Rivet



Tuffcut 48 SP
48cm Self Propelled Lawnmower
Type No: MPR10035

FILE IN:
SECTION: MPR10035
ISSUED: JAN 1998
REVISED:

TUFFCUT 48 SP 48cm

Type No: MPR10035



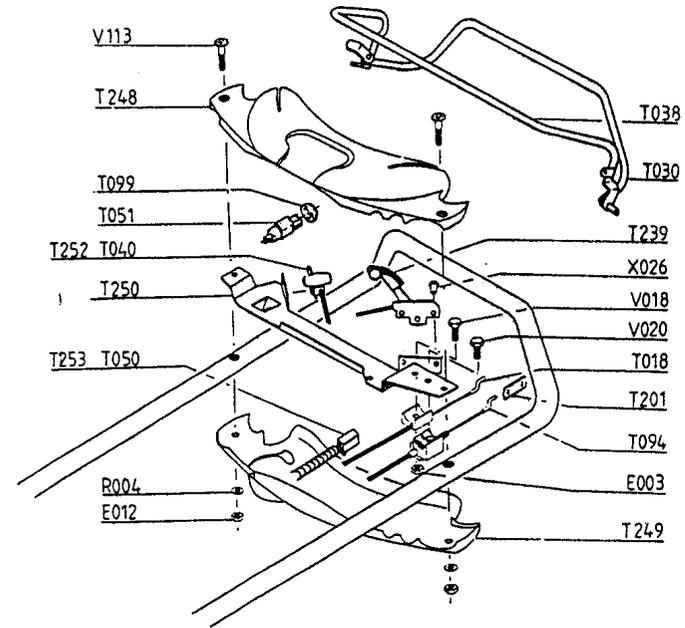
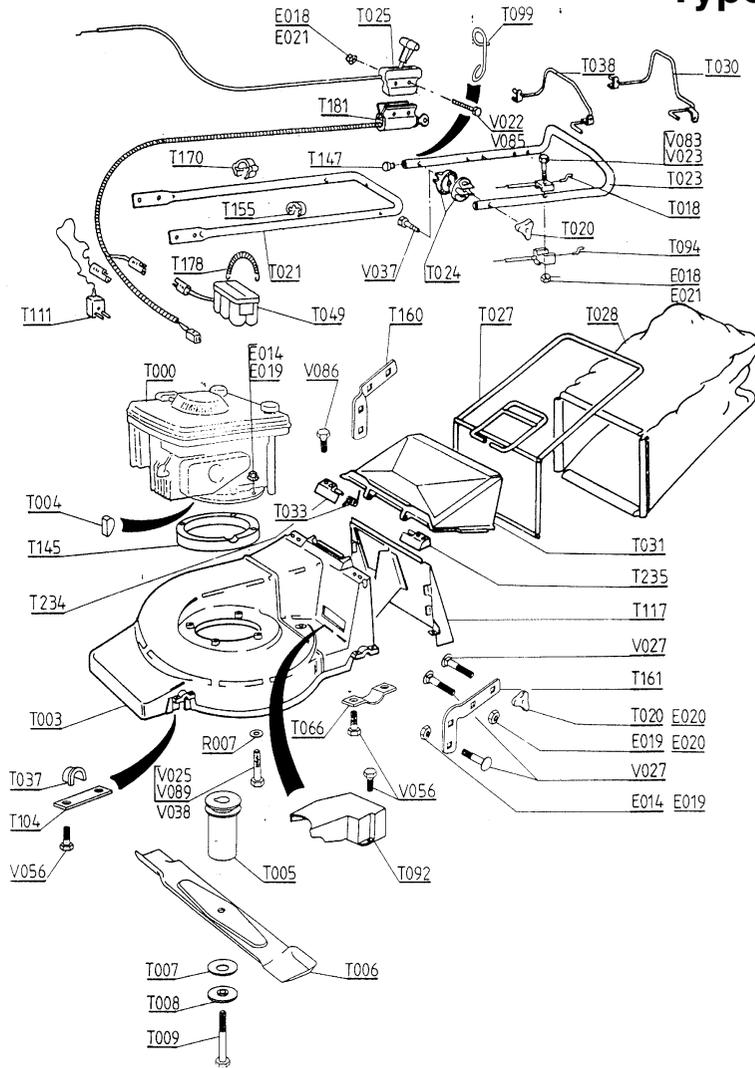
**Mountfield
Westwood**

Tuffcut 48 SP

48cm Self Propelled Lawnmower

Type No: MPR10035

FILE IN:
SECTION: MPR10035
ISSUED: JAN 1998
REVISED:





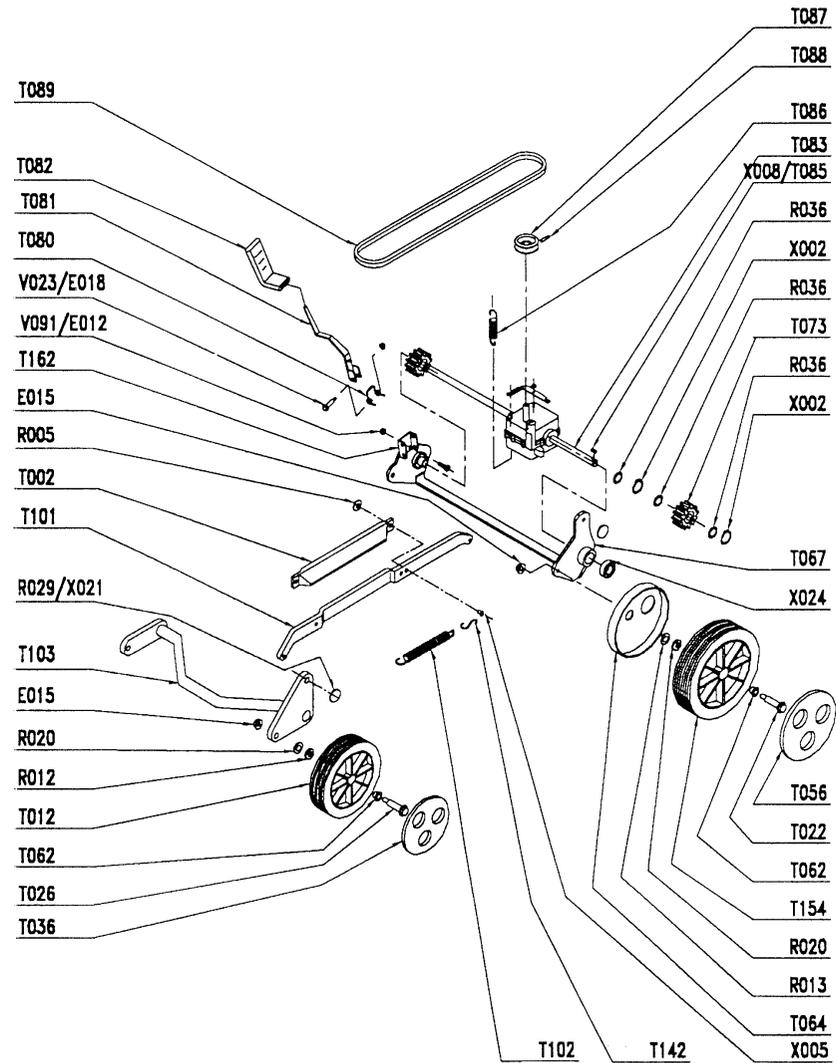
**Mountfield
Westwood**

Tuffcut 48 SP

48cm Self Propelled Lawnmower

Type No: MPR10035

FILE IN:
SECTION: MPR10035
ISSUED: JAN 1998
REVISED:





**Mountfield
Westwood**

**Tuffcut 48 SP
48cm Self Propelled Lawnmower
Type No: MPR10035**

FILE IN:
SECTION: MPR10035
ISSUED: JAN 1998
REVISED:

Ill. No. Numéro Eclaté Bild Nr.	Part No. Référence Fournisseur Teil Nr.	Qty per M/c Quantité par machine Menge	Description	Désignation
E012	G90892078	1	Nut	Ecrou
E014	G90100044	1	Nut	Ecrou
E015	G90315001	2	Nut	Ecrou
E018	G90805503	1	Nut	Ecrou
E019	G90805504	2	M8 Nut	Ecrou M8
E021	G90105406	1	Nut	Ecrou
R005	G90800035	1	Washer	Rondelle
R007	G90807501	1	Washer	Rondelle
R012	G90100067	2	Plain washer	Rondelle
R013	G90100068	2	Spring washer	Rondelle
R020	G90892018	2	Washer	Rondelle
R029	G90807507	2	M8 Starlock washer	Rondelle
R039	G91322037	1	Washer	Rondelle
R038	B062300	1	Washer	Rondelle
T000	00100351	1	Engine	Moteur
T002	M4961	1	Spring cover	Cache barre
T003	B050600/R	1	Casing	Carter
T004	G90892046	1	Key	Clavette
T005	G90808009	1	Blade boss	Support lame
T006	G90892303	1	Blade	Lame
T007	G90803044	1	Washer disc spring	Rondelle
T008	G90803042	1	Clamp washer	Rondelle de lame
T009	G90892502	1	Bolt	Vis
T012	G90892404	2	Wheel (front)	Roue
T020	G90892066	2	Handle wheel	Molette de guidon
T020	G90892600	2	Handle wheel	Molette de guidon
T022	G90892467	2	Axle bolt	Axe roue
T023	G90892561	1	Upper handle	Guidon
T025	G90892349	1	Throttle control	Commande
T026	G90892469	2	Axle bolt	Axe roue



**Mountfield
Westwood**

**Tuffcut 48 SP
48cm Self Propelled Lawnmower
Type No: MPR10035**

FILE IN:
SECTION: MPR10035
ISSUED: JAN 1998
REVISED:

Ill. No. Numéro Eclaté Bild Nr.	Part No. Référence Fournisseur Teil Nr.	Qty per M/c Quantité par machine Menge	Description	Désignation
T027	B101202/0	1	Frame	Armature
T028	B101214/0	1	Grassbag	Bride essieu
T030	G90892507/N	1	Clutch lever	Levier d'embrayage
T031	B101100/1	1	Deflector	Deflecteur
T033	B101112/1	1	Deflector spring	Ressort deflecteur
T036	G90892360	2	Hub cap	Cache moyeu
T037	B100215/0	2	Axle bush	Coussinet essieu
T038	G90892534/N	1	OPC lever	Levier frein
T056	M5938	2	Hub cap	Cache- moyeu
T062	EFT00088	1	Bearing	Roulement
T064	M5565	2	Dust cover 200mm	Protecteur roue
T066	B060220/0	1	Bracket	Support
T067	G90808017/N	1	Rear axle weld assy	Essieu arriere
T073	M5559	2	Gear	Pignon
T080	G90803030	1	Spring	Ressort
T081	G90808005/Z	1	Height adjuster lever	Leiver
T082	G90803039	1	Height adjuster kit	Capuch leiver
T083	G90808020	1	Gearbox	Boitier de vitesse
T085	G90803036	1	Key	Clavette
T086	G90803098	1	Spring	Ressort
T087	EFT00080	1	Pulley	Poulie
T088	EFT00082	1	Gearbox pulley	Poulie
T089	G90805068	1	Belt	Courroie
T092	B060632/0	1	Pulley cover	Protec courroie
T094	G90892349	1	Cable	Cable
T099	B100840/8	1	Pull cord hook	Arret lanceur demar guid lateral
T101	G90808019/N	1	Tie bar	Bielle liaison
T102	M4223	1	Balance spring	Ressort
T103	G90808015/N	1	Front axle assembly	Essieu anant
T104	B100214/0	1	Fixing plate	Bride essieu plate



**Mountfield
Westwood**

**Tuffcut 48 SP
48cm Self Propelled Lawnmower
Type No: MPR10035**

FILE IN:
SECTION: MPR10035
ISSUED: JAN 1998
REVISED:

Ill. No. Numéro Eclaté Bild Nr.	Part No. Référence Fournisseur Teil Nr.	Qty per M/c Quantité par machine Menge	Description	Désignation
T117	B051208/N	1	Grass deflector assy	Protecteur essieu
T142	M1867	1	Spring anchor	Crochet ressort
T145	B080626/N	1	Engine spacer	Embase moteur
T147	G90800013	2	Handle insert	Obturateur
T154	M5562	2	Wheel	Roue
T160	G90892559/N	1	RH handle pressing	Support guidon droite emboutir
T161	G90892558/N	1	LH handle pressing	Support guidon gauche emboutir
T162	G90808007/N	1	Bracket	Support
T234	B100611/N	1	Right deflector bracket	Bride droite deflecteur
T235	B100613/N	1	Left deflector bracket	Bride gauche deflecteur
T245	G90892538/N	1	Lower handle	Relais guidon
V022	G90105072	1	Bolt	Vis
V027	G90105005	8	Bolt	Vis
V038	G90105079	1	Bolt	Vis
V056	B100216/0	2	Bolt	Vis
V067	G90800004	1	Bolt	Vis
V083	G90105115	1	Bolt	Vis
V085	G90105109	1	Bolt	Vis
V086	B100620/0	2	Bolt	Visn
V089	G90805113	1	Bolt	Vis
V091	G90805112	1	Bolt	Vis
X002	G90892026	2	Circlip	Circlip
X005	G90105096	1	Rivet	Rivet
X008	G90803035	1	Key	Clavette
X024	G97047309	2	Bearing	Roulement



Tuffcut 550 PD
53cm Self Propelled Lawnmower
Type No: MPR10037

FILE IN:
SECTION: MPR10037
ISSUED: JAN 1998
REVISED:

TUFFCUT 550 PD 53cm

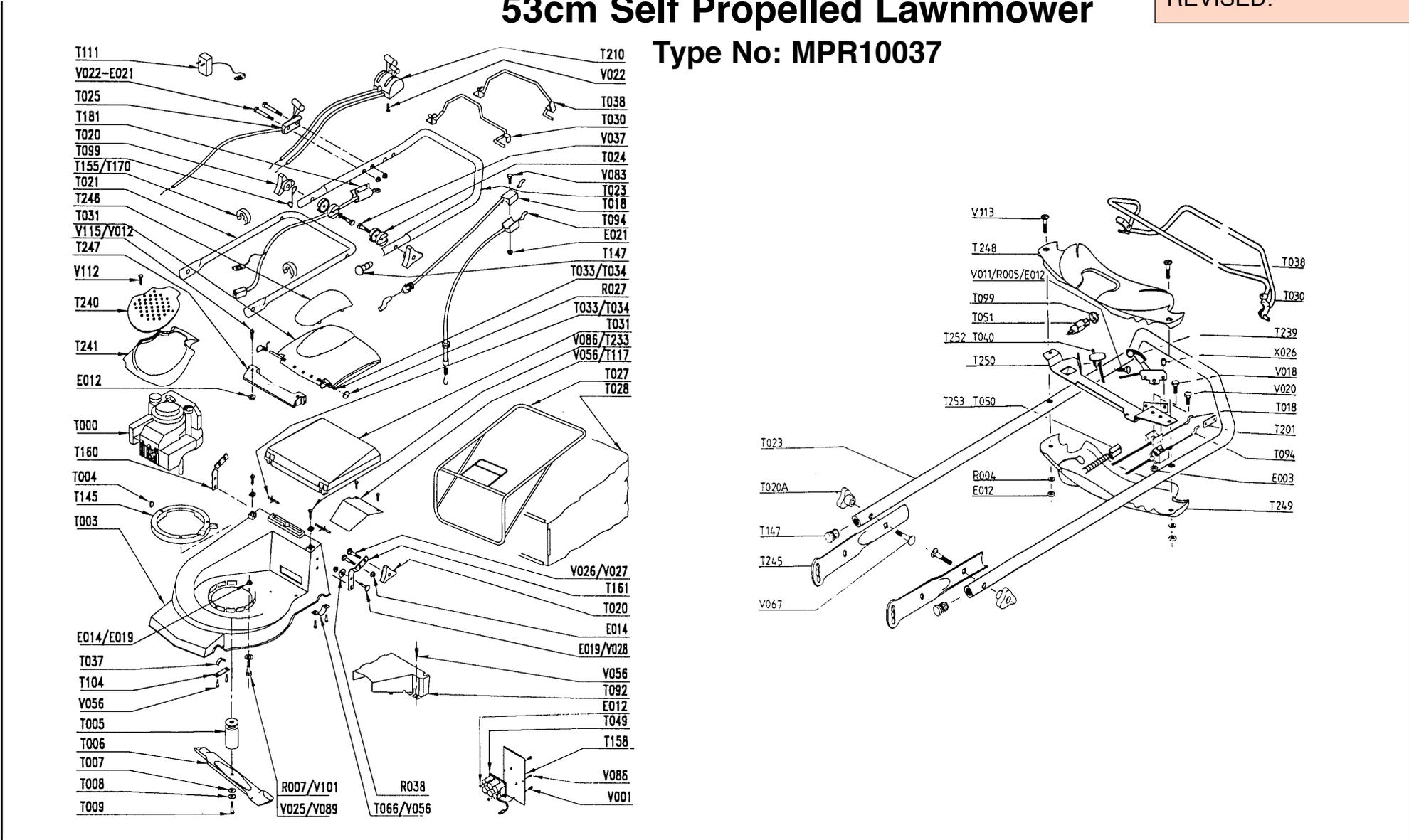
Type No: MPR10037



**Mountfield
Westwood**

Tuffcut 550 PD 53cm Self Propelled Lawnmower Type No: MPR10037

FILE IN:
SECTION: MPR10037
ISSUED: JAN 1998
REVISED:





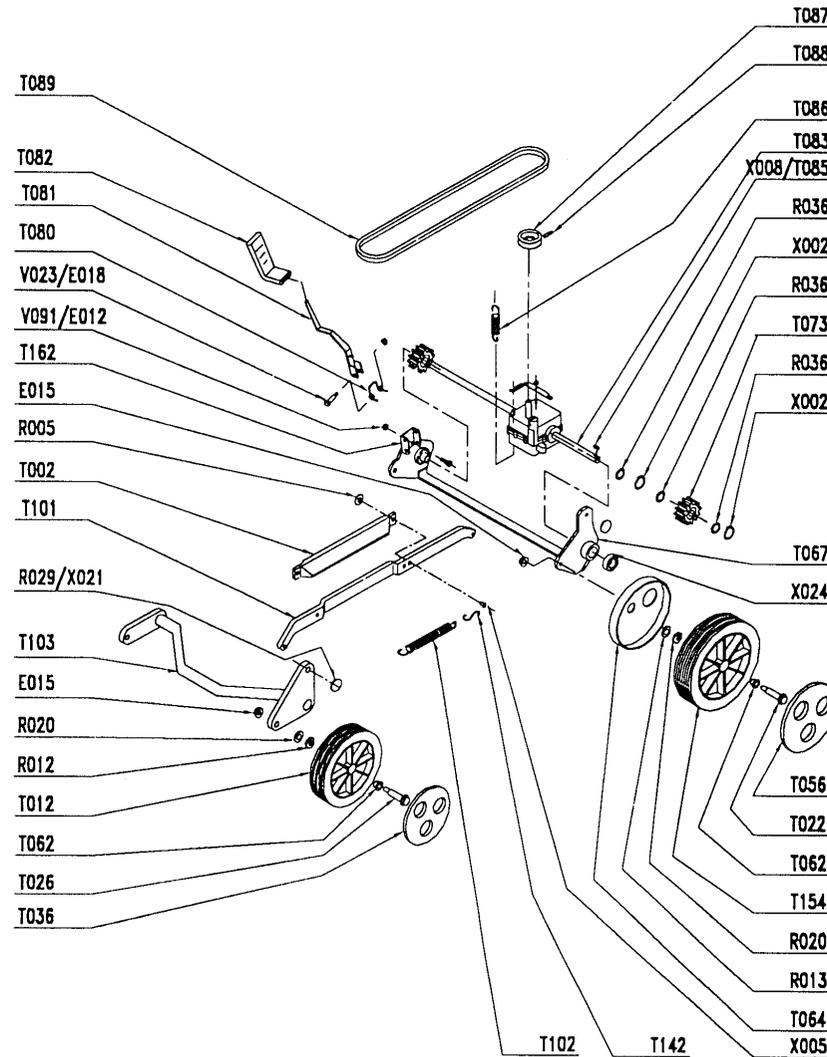
**Mountfield
Westwood**

Tuffcut 550 PD

53cm Self Propelled Lawnmower

Type No: MPR10037

FILE IN:
SECTION: MPR10037
ISSUED: JAN 1998
REVISED:



Tuffcut 550 PD

53cm Self Propelled Lawnmower

Type No: MPR10037

FILE IN:
SECTION: MPR10037
ISSUED: JAN 1998
REVISED:

Ill. No. Numéro Eclaté Bild Nr.	Part No. Référence Fournisseur Teil Nr.	Qty per M/c Quantité par machine Menge	Description	Désignation
E002	G90805005	1	Nut	Ecrou
E003	G90105515	1	Nut	Ecrou
E012	G90892078	1	Nut	Ecrou
E014	M084-08	1	Nut	Ecrou
E015	G90315001	4	Nut	Ecrou
E018	G90805503	1	Nut	Ecrou
E019	G90805504	2	Nut	Ecrou
R004	G90807506	2	Washer	Rondelle
R005	G90800035	1	Washer	Rondelle
R006	G90105058	1	Washer	Rondelle
R007	G90807501	1	Plain washer	Rondelle
R012	G90100067	2	Plain washer	Rondelle
R013	G90100068	2	Washer	Rondelle
R020	G90892018	2	Washer	Rondelle
R027	MX839	2	M6 Starlock washer	Rondelle
R029	RCL135-0813	2	M8 Starlock washer	Rondelle
R036	G91322037	2	Washer	Rondelle
R038	G062300	1	Washer	Rondelle
T000	00100286	1	Motor	Moteur
T002	M4961	1	Spring cover	Cache barre liaison
T003	B070600/0	1	Casing	Carter
T004	G90892046	1	Key	Clavette
T005	G90803090	1	Blade boss	Support lame
T006	M4331	1	Blade	Lame
T007	MX621	1	Blade washer	Rondelle
T008	G90803042	1	Clamp washer	Rondelle de lame
T009	G90892044	1	Blade bolt	Vis
T012	MX1309	2	Wheel (front)	Roue
T018	G90892695	1	Clutch cable	Cable frein
T020A	G90892066	2	Hand wheel - upper	Molette



**Mountfield
Westwood**

**Tuffcut 550 PD
53cm Self Propelled Lawnmower
Type No: MPR10037**

FILE IN:
SECTION: MPR10037
ISSUED: JAN 1998
REVISED:

Ill. No. Numéro Eclaté Bild Nr.	Part No. Référence Fournisseur Teil Nr.	Qty per M/c Quantité par machine Menge	Description	Désignation
T020	G90892600	2	Hand wheel- lower	Molette
T022	G90892467	2	Axle bolt	Axe roue
T023	G90892566	1	Upper handle	Guidon
T026	G90892469	2	Axle bolt	Axe roue
T027	G90892704	1	Grassbag frame	Armature bac
T028	B071214/N	1	Grassbag	Bac
T030	G90892507/N	1	Clutch lever	Levier d'embrayage
T031	G90892700/N	1	Deflector	Deflecteur
T033	G90892706	1	Deflector spring	Ressort deflecteur
T034	G90892705	1	Deflector rod	Axe deflecteur
T036	GJA908923-60	2	Hub cap	Cache moyeu
T037	B100215/0	1	Axle support	Support essieu
T038	G90892534/N	1	OPC lever	Levier frein
T040	G90892670	1	Throttle cable	Câble
T056	M5938	2	Hub cap	Cache moyeu
T062	B10010H/N	2	Wheel bearing	Entretoise axe roue
T064	M5565	2	Dust cover 200mm	Protecteur roue
T066	B060220/0	1	Bracket	Bride essieu
T067	G90808011/N	1	Rear axle weld assy	Essieu arriere
T073	M5559	2	Gear	Pignon entrai
T080	G90803030	1	Spring	Ressort
T081	G90808005/Z	1	Height adjuster lever	Leiver haut.coupe
T082	G90803039	1	Knob	Boule
T083	G90892453	1	Gearbox	Boitier transmission
T085	G90803036	1	Key	Capuch leiver haut coupe
T086	G90803098	1	Spring	Ressort
T087	G90802900	1	Pulley	Poulie
T088	G90240050	1	Spirol pin	Goupille
T089	G90805062	1	Belt	Courroie
T092	B070624/1	1	Pulley cover	Protecteur courroie



**Mountfield
Westwood**

**Tuffcut 550 PD
53cm Self Propelled Lawnmower
Type No: MPR10037**

FILE IN:
SECTION: MPR10037
ISSUED: JAN 1998
REVISED:

Ill. No. Numéro Eclaté Bild Nr.	Part No. Référence Fournisseur Teil Nr.	Qty per M/c Quantité par machine Menge	Description	Désignation
T094	G90892349	1	Clutch cable	Câble d'embrayage
T099	B100840/8	1	Pull cord guide	Arrêt lanceur demar guide
T101	G90808010/N	1	Tie bar	Bielle liaison
T102	M4223	1	Balance spring	Ressort
T103	G90808013/N	1	Front axle assy	Essieu avant
T104	B100214/0	1	Fixing plate	Bride essieu plate
T117	B070630/0	1	Throw plate	Plaque
T142	M1867	1	Spring anchor	Crochet ressort
T145	B080626/N	1	Engine spacer	Embase moteur
T147	G90800013	2	Handle insert	Obturateur
T154	M5562	2	Wheel	Roue
T158	B070220/0	1	Window cover	Trappe visite
T160	G90892559/N	1	Right handle bracket	Support guidon droite emboutir
T161	G90892558/N	1	Left handle bracket	Support guidon gauche emboutir
T162	G90808007/N	1	Height adjuster brkt	Support leiver
T239	RCL290046-00	1	Cable 3 speed	Cable 3 vitesses
T240	G90892651/N	1	Engine cover upper	Capot supérieur moteur
T241	G90892650/N	1	Engine cover lower	Capot inférieur moteur
T245	G90892538/N	1	Lower handle	Relais guidon réglable
T246	G90892701/N	1	Deflector cover	Enjo deflecteur
T247	G90892702/N	1	Handle cap	Support deflecteur
T248	G90892680/N	1	Upper console	Tableau bord supérieur
T249	G90892681/N	1	Lower console	Tableau bord inférieur
T250	G90892690/N	1	Console tray	Support metal tableau bord
T252	G92100160	1	Cover	Capuchon plastique
V001	G90105047	2	Bolt	Vis
V011	G90892077	1	Bolt	Vis
V012	G90105095	1	Bolt	Vis
V018	G90105001	1	Screw	Vis
V019	G90105099	1	Bolt	Vis



**Mountfield
Westwood**

**Tuffcut 550 PD
53cm Self Propelled Lawnmower
Type No: MPR10037**

FILE IN:
SECTION: MPR10037
ISSUED: JAN 1998
REVISED:

Ill. No. Numéro Eclaté Bild Nr.	Part No. Référence Fournisseur Teil Nr.	Qty per M/c Quantité par machine Menge	Description	Désignation
V020	G90105069	1	Bolt	Vis
V025	G90105065	1	Bolt	Vis
V028	G90105005	8	Screw	Vis
V056	B100216/0	2	Screw	Vis
V067	G90800004	1	Bolt	Vis
V083	G90105115	1	Bolt	Vis
V089	G90805113	1	Bolt	Vis
V091	G90805112	1	Pin	Goupille
V112	G90805502	1	Bolt	Vis
V113	B063902	1	Bolt	Vis
V115	G90805045	1	Screw	Vis
X002	G90892026	4	Circlip	Circlips
X005	G90105096	1	Rivet	Rivet
X008	G90803035	1	Key	Clavette roue
X024	G97047309	2	Bearing	Roulement



**Tuffcut 48cm PD
Self Propelled Lawnmower
Type No: MPR10061**

FILE IN:
SECTION: MPR10061
ISSUED: JAN 1998
REVISED:

TUFFCUT 48cm PD

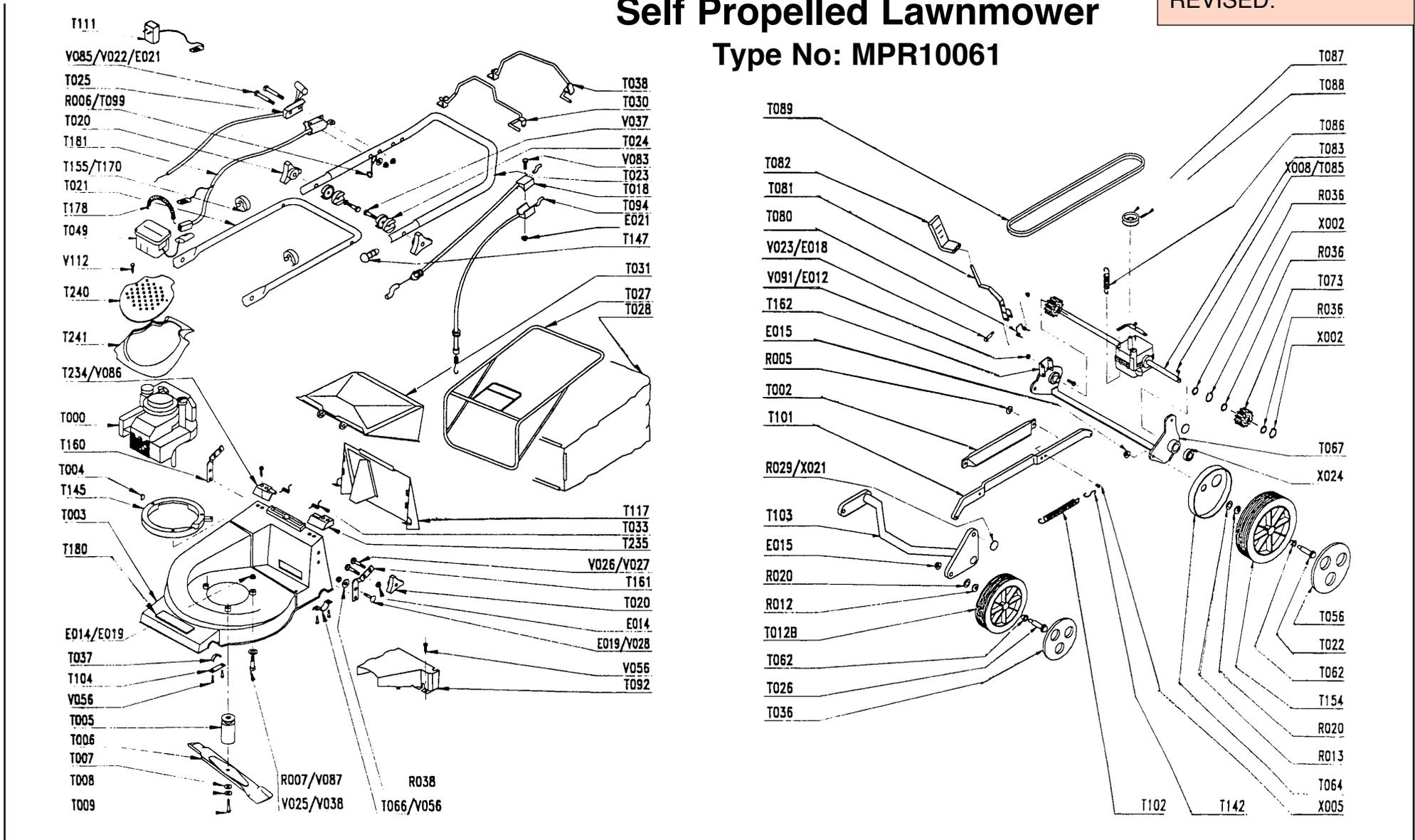
Type No: MPR10061



**Mountfield
Westwood**

Tuffcut 48cm PD Self Propelled Lawnmower Type No: MPR10061

FILE IN:
SECTION: MPR10061
ISSUED: JAN 1998
REVISED:

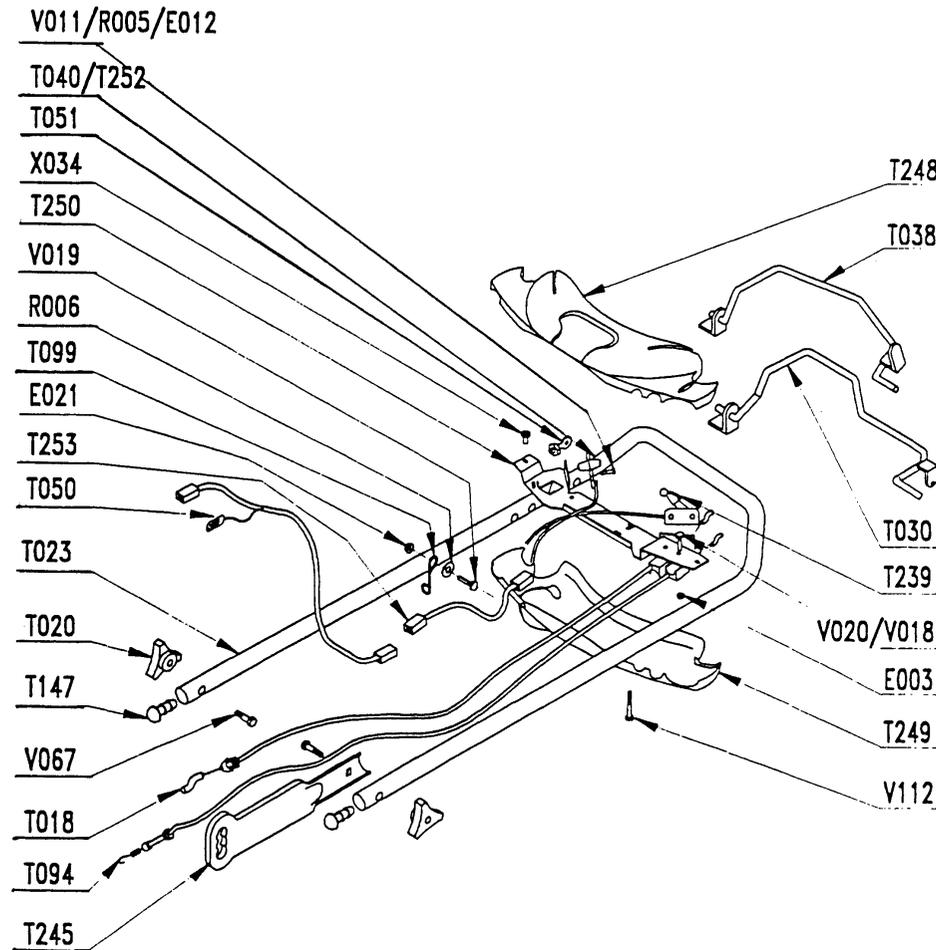




**Mountfield
Westwood**

Tuffcut 48cm PD Self Propelled Lawnmower Type No: MPR10061

FILE IN:
SECTION: MPR10061
ISSUED: JAN 1998
REVISED:



Tuffcut 48cm PD Self Propelled Lawnmower

Type No: MPR10061

FILE IN:
SECTION: MPR10061
ISSUED: JAN 1998
REVISED:

Ill. No. Numéro Eclaté Bild Nr.	Part No. Référence Fournisseur Teil Nr.	Qty per M/c Quantité par machine Menge	Description	Désignation
E003	G90105515	1	Nut	Ecrou
E012	G90892078	1	Nut	Ecrou
E014	M084-08	1	Nut	Ecrou
E015	G90315001	4	Nut	Ecrou
E019	G90805504	2	Nut	Ecrou
E021	G90105406	1	Nut	Ecrou
R005	G90800035	1	Washer	Rondelle
R006	G90105058	1	Washer	Rondelle
R007	G90807501	1	Plain washer	Rondelle
R012	G90100067	2	Plain washer	Rondelle
R013	G90100068	2	Washer	Rondelle
R020	G90892018	2	Washer	Rondelle
R029	RCL135-0813	2	M8 Starlock washer	Rondelle
R036	G91322037	2	Washer	Rondelle
R038	G062300	1	Washer	Rondelle
T000	00100286	1	Engine	Moteur
T002	M4961	1	Spring cover	Cache barre liaison
T003	B050600/R	1	Casing	Carter
T004	G90892046	1	Key	Clavette
T005	G90808009	1	Blade boss	Support lame
T006	G90892303	1	Blade	Lame
T007	MX621	1	Blade washer	Rondelle
T008	M3251	1	Clamp washer	Rondelle de lame
T009	G90892502	1	Blade bolt	Vis
T012	MX1309	2	Wheel (front)	Roue
T018	G90892456	1	Clutch cable	Cable frein
T020A	G90892066	2	Hand wheel - upper	Molette
T020	G90892600	2	Hand wheel- lower	Molette
T022	G90892467	2	Axle bolt	Axe roue
T023	G90892566	1	Upper handle	Guidon

Tuffcut 48cm PD Self Propelled Lawnmower Type No: MPR10061

FILE IN:
SECTION: MPR10061
ISSUED: JAN 1998
REVISED:

Ill. No. Numéro Eclaté Bild Nr.	Part No. Référence Fournisseur Teil Nr.	Qty per M/c Quantité par machine Menge	Description	Désignation
T026	G90892469	2	Axle bolt	Axe roue
T027	B101202/0	1	Grassbag frame	Armature bac
T028	B071214/N	1	Grassbag	Bac
T030	G90892507/N	1	Clutch lever	Levier d'embrayage
T031	B101100/1	1	Deflector	Deflecteur
T033	B101112/1	1	Deflector spring	Ressort deflecteur
T036	GJA908923-60	2	Hub cap	Cache moyeu
T037	B100215/0	1	Axle support	Support essieu
T038	G90892534/N	1	OPC lever	Levier frein
T040	G90892669	1	Throttle cable	Cable
T056	M5938	2	Hub cap	Cache moyeu
T064	M5565	2	Dust cover 200mm	Protecteur roue
T066	B060220/0	1	Bracket	Bride essieu
T067	G90808017/N	1	Rear axle weld assy	Essieu arriere
T073	M5559	2	Gear	Pignon entrai
T080	G90803030	1	Spring	Ressort
T081	G90808005/Z	1	Height adjuster lever	Levier haut.coupe
T082	G90803039	1	Knob	Boule
T083	G90808020	1	Gearbox	Boitier transmission
T085	G90803036	1	Key	Capuch lever haut coupe
T086	G90803098	1	Spring	Ressort
T089	G90895068	1	Belt	Courroie
T092	B060632/0	1	Pulley cover	Protecteur courroie
T094	G90892349	1	Clutch cable	Câble d'embrayage
T099	B100840/8	1	Pull cord guide	Arrêt lanceur demar guide
T101	G90808019/N	1	Tie bar	Bielle liaison
T102	M4223	1	Balance spring	Ressort
T103	G90808015/N	1	Front axle assy	Essieu avant
T104	B100214/0	1	Fixing plate	Bride essieu plate
T117	B051208/N	1	Throw plate	Plaque



**Mountfield
Westwood**

**Tuffcut 48cm PD
Self Propelled Lawnmower
Type No: MPR10061**

FILE IN:
SECTION: MPR10061
ISSUED: JAN 1998
REVISED:

Ill. No. Numéro Eclaté Bild Nr.	Part No. Référence Fournisseur Teil Nr.	Qty per M/c Quantité par machine Menge	Description	Désignation
T142	M1867	1	Spring anchor	Crochet ressort
T145	B080626/N	1	Engine spacer	Embase moteur
T147	G90800013	2	Handle insert	Obturateur
T154	M5562	2	Wheel	Roue
T155	M4780	1	Cable clip	Attache de câble
T160	G90892559/N	1	Right handle bracket	Support guidon droite emboutir
T161	G90892558/N	1	Left handle bracket	Support guidon gauche emboutir
T245	G90892538/N	1	Lower handle	Relais guidon réglable
T248	G90892680/N	1	Upper console	Tableau bord supérieur
T249	G90892681/N	1	Lower console	Tableau bord inférieur
T250	G90892690/N	1	Console tray	Support metal tableau bord
T252	G92100160	1	Cover	Capuchon plastique
V011	G90892077	1	Bolt	Vis
V018	G90105001	1	Screw	Vis
V019	G90105099	1	Bolt	Vis
V020	G90105069	1	Bolt	Vis
V025	G90105065	1	Bolt	Vis
V028	G90105005	8	Screw	Vis
V056	B100216/0	2	Screw	Vis
V067	G90800004	1	Bolt	Vis
V083	G90105115	1	Bolt	Vis
V091	G90805112	1	Pin	Goupille
V112	G90805502	1	Bolt	Vis
X002	G90892026	4	Circlip	Circlips
X005	G90105096	1	Rivet	Rivet
X008	G90803035	1	Key	Clavette roue
X024	G97047309	2	Bearing	Roulement
X034	G90105151	1	Screw	Vis



Tuffcut
53cm Self Propelled Lawnmower
Type No: MPR10062

FILE IN:
SECTION: MPR10062
ISSUED: JAN 1998
REVISED:

TUFFCUT 53cm

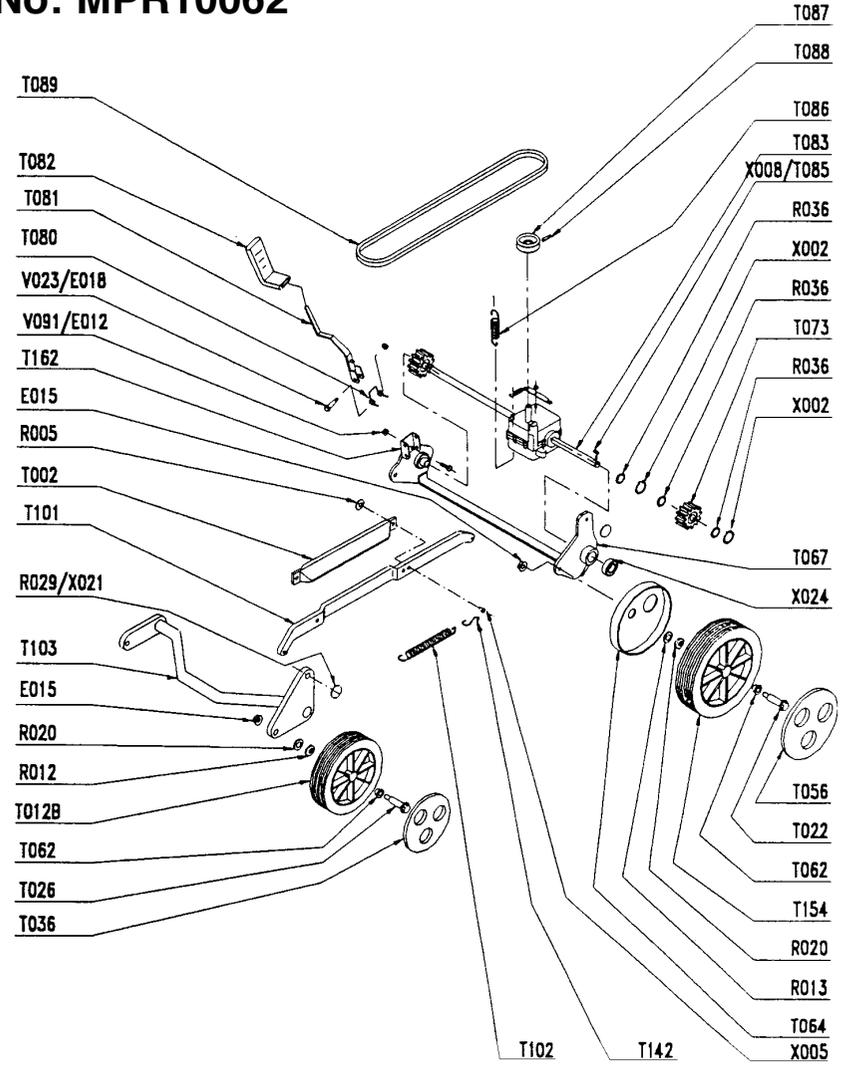
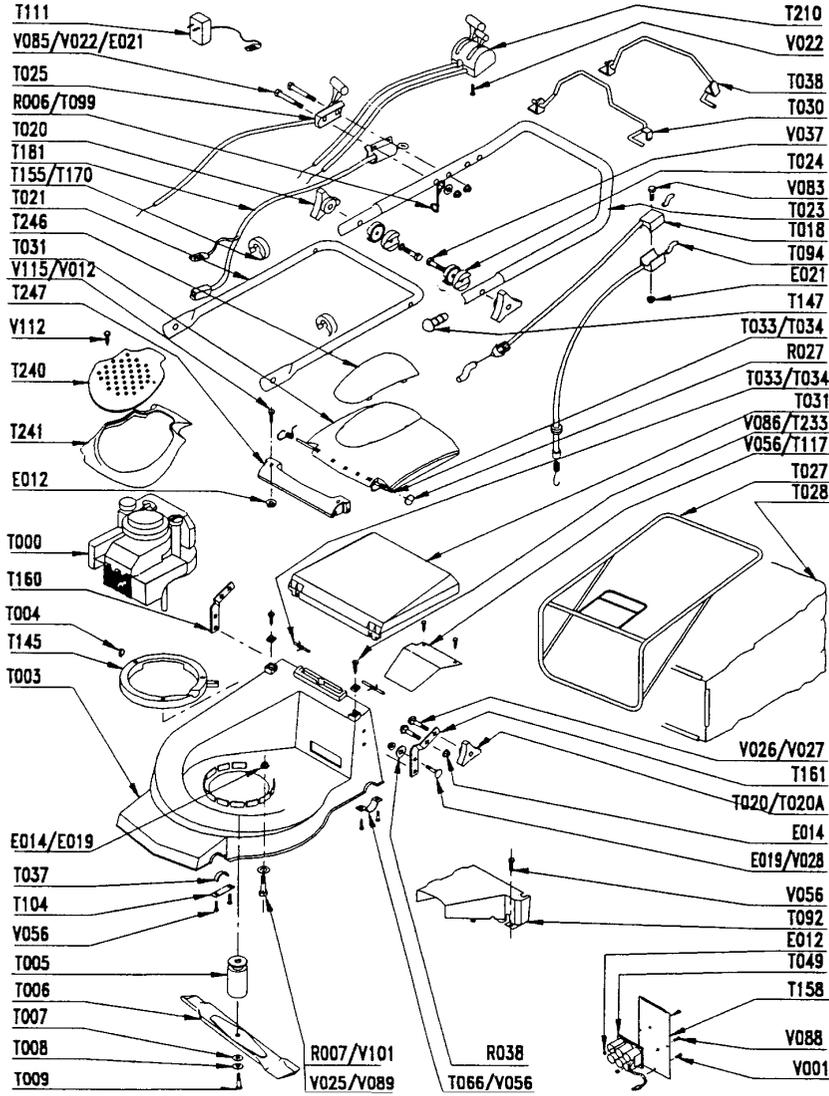
Type No: MPR10062



**Mountfield
Westwood**

Tuffcut 53cm Self Propelled Lawnmower Type No: MPR10062

FILE IN:
SECTION: MPR10062
ISSUED: JAN 1998
REVISED:



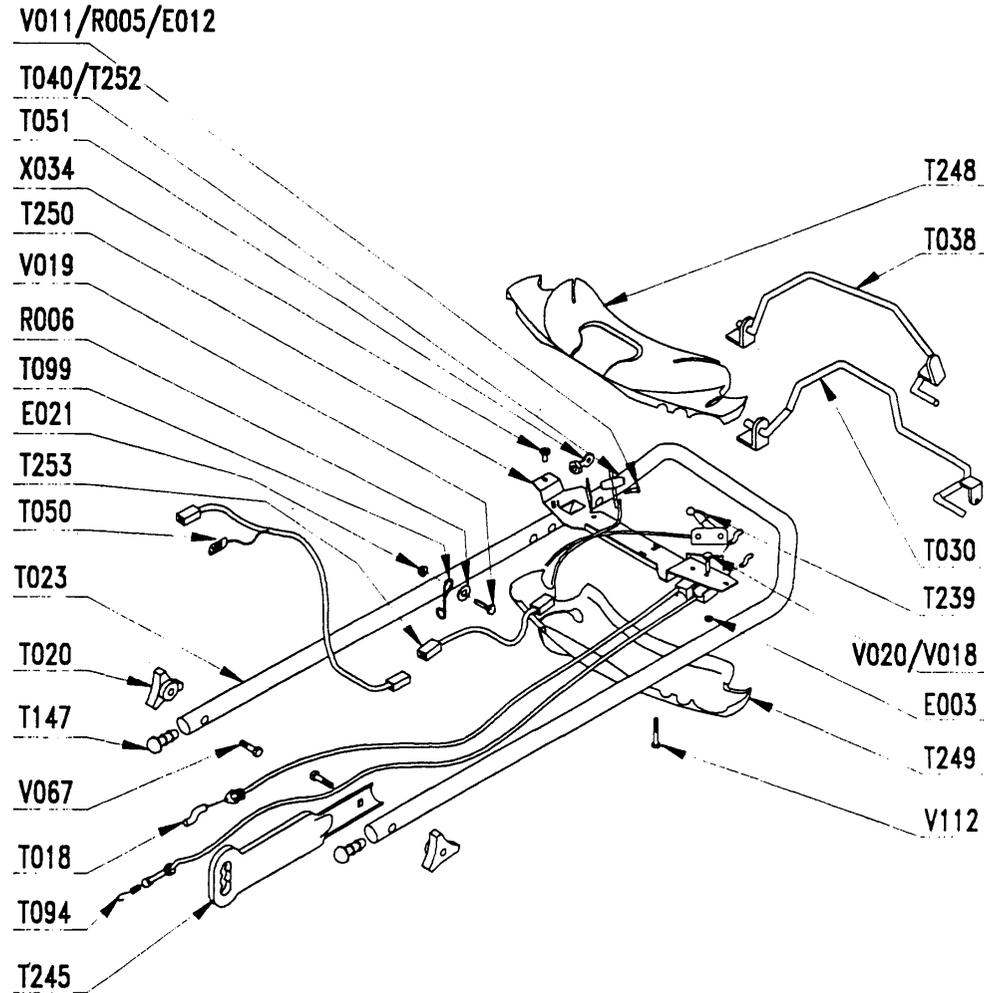


Tuffcut

53cm Self Propelled Lawnmower

Type No: MPR10062

FILE IN:
SECTION: MPR10062
ISSUED: JAN 1998
REVISED:





**Mountfield
Westwood**

**Tuffcut
53cm Self Propelled Lawnmower
Type No: MPR10062**

FILE IN:
SECTION: MPR10062
ISSUED: JAN 1998
REVISED:

Ill. No. Numéro Eclaté Bild Nr.	Part No. Référence Fournisseur Teil Nr.	Qty per M/c Quantité par machine Menge	Description	Désignation
E003	G90105515	1	Nut	Ecrou
E012	G90892078	1	Nut	Ecrou
E014	M084-08	1	Nut	Ecrou
E015	G90315001	4	Nut	Ecrou
E018	G90805503	2	Nut	Ecrou
E019	G90805504	1	Nut	Ecrou
E021	G90105406	1	Nut	Ecrou
R005	G90800035	1	Washer	Rondelle
R006	G90105058	1	Washer	Rondelle
R007	G90807501	1	Plain washer	Rondelle
R012	G90100067	2	Plain washer	Rondelle
R013	G90100068	2	Washer	Rondelle
R020	G90892018	2	Washer	Rondelle
R027	MX839	2	M6 Starlock washer	Rondelle
R029	RCL135-0813	2	M8 Starlock washer	Rondelle
R036	G91322037	2	Washer	Rondelle
R038	G062300	1	Washer	Rondelle
T000	00100286	1	Engine	Moteur
T002	M4961	1	Spring cover	Cache barre liaison
T003	B070600/R	1	Casing	Carter
T004	G90892046	1	Key	Clavette
T005	G90803090	1	Blade boss	Support lame
T006	M4331	1	Blade	Lame
T007	MX621	1	Blade washer	Rondelle
T008	G90803042	1	Clamp washer	Rondelle de lame
T009	G90892044	1	Blade bolt	Vis
T012	MX1309	2	Wheel (front)	Roue
T018	G90892695	1	Clutch cable	Cable frein
T020A	G90892066	2	Hand wheel - upper	Molette
T020	G90892600	2	Hand wheel- lower	Molette

Tuffcut

53cm Self Propelled Lawnmower

Type No: MPR10062

FILE IN:
SECTION: MPR10062
ISSUED: JAN 1998
REVISED:

Ill. No. Numéro Eclaté Bild Nr.	Part No. Référence Fournisseur Teil Nr.	Qty per M/c Quantité par machine Menge	Description	Désignation
T022	G90892467	2	Axle bolt	Axe roue
T023	G90892566	1	Upper handle	Guidon
T026	G90892469	2	Axle bolt	Axe roue
T027	G90892704	1	Grassbag frame	Armature bac
T028	B071214/N	1	Grassbag	Bac
T030	G90892507/N	1	Clutch lever	Levier d'embrayage
T031	G90892700/N	1	Deflector	Deflecteur
T033	G90892706	1	Deflector spring	Ressort deflecteur
T034	G90892705	1	Deflector rod	Axe deflecteur
T036	GJA908923-60	2	Hub cap	Cache moyeu
T037	B100215/0	1	Axle support	Support essieu
T038	G90892534/N	1	OPC lever	Levier frein
T040	G90892669	1	Throttle cable	Cable
T056	M5938	2	Hub cap	Cache moyeu
T062	EFT00088	2	Wheel bearing	Entretoise axe roue
T064	M5565	2	Dust cover 200mm	Protecteur roue
T066	B060220/0	1	Bracket	Bride essieu
T067	G90808011/N	1	Rear axle weld assy	Essieu arriere
T073	M5559	2	Gear	Pignon entrain
T080	G90803030	1	Spring	Ressort
T081	G90808005/Z	1	Height adjuster lever	Levier haut.coupe
T082	G90803039	1	Knob	Boule
T083	G90892453	1	Gearbox	Boitier transmission
T085	G90803036	1	Key	Capuch leiver haut coupe
T086	G90803098	1	Spring	Ressort
T087	EFT00080	1	Pulley	Poulie
T088	EFT00082	1	Spirol pin	Goupille
T089	G90805067	1	Belt	Courroie
T092	B070624/1	1	Pulley cover	Protecteur courroie
T094	G90892349	1	Clutch cable	Câble d'embrayage



**Mountfield
Westwood**

**Tuffcut
53cm Self Propelled Lawnmower
Type No: MPR10062**

FILE IN:
SECTION: MPR10062
ISSUED: JAN 1998
REVISED:

Ill. No. Numéro Eclaté Bild Nr.	Part No. Référence Fournisseur Teil Nr.	Qty per M/c Quantité par machine Menge	Description	Désignation
T099	B100840/8	1	Pull cord guide	Arrêt lanceur demar guide
T101	G90808010/N	1	Tie bar	Bielle liaison
T102	M4223	1	Balance spring	Ressort
T103	G90808013/N	1	Front axle assy	Essieu avant
T104	B100214/0	1	Fixing plate	Bride essieu plate
T117	B070630/0	1	Throw plate	Plaque
T142	M1867	1	Spring anchor	Crochet ressort
T145	B080626/N	1	Engine spacer	Embase moteur
T147	G90800013	2	Handle insert	Obturateur
T154	M5562	2	Wheel	Roue
T155	M4780	1	Cable clip	Attache de câble
T158	B070220/0	1	Window cover	Trappe visite
T160	G90892559/N	1	Right handle bracket	Support guidon droite emboutir
T161	G90892558/N	1	Left handle bracket	Support guidon gauche emboutir
T245	G90892538/N	1	Lower handle	Relais guidon réglable
T246	G90892701/N	1	Deflector cover	Enjo deflecteur
T247	G90892702/N	1	Handle cap	Support deflecteur
T248	G90892680/N	1	Upper console	Tableau bord supérieur
T249	G90892681/N	1	Lower console	Tableau bord inférieur
T250	G90892690/N	1	Console tray	Support metal tableau bord
T252	G92100160	1	Cover	Capuchon plastique
V001	G90105047	1	Bolt	Vis
V011	G90892077	1	Bolt	Vis
V018	G90105001	1	Screw	Vis
V019	G90105099	1	Bolt	Vis
V020	G90105069	1	Bolt	Vis
V028	G90105005	8	Screw	Vis
V056	B100216/0	2	Screw	Vis
V067	G90800004	1	Bolt	Vis
V083	G90105115	1	Bolt	Vis



**Mountfield
Westwood**

**Tuffcut
Self Propelled Lawnmower
Type No: MPR10062**

FILE IN:
SECTION: MPR10062
ISSUED: JAN 1998
REVISED:

Ill. No. Numéro Eclaté Bild Nr.	Part No. Référence Fournisseur Teil Nr.	Qty per M/c Quantité par machine Menge	Description	Désignation
V091	G90805112	1	Pin	Goupille
V112	G90805502	1	Bolt	Vis
V115	G90805045	1	Screw	Vis
X002	G90892026	4	Circlip	Circlips
X005	G90105096	1	Rivet	Rivet
X008	G90803035	1	Key	Clavette roue
X024	G97047309	2	Bearing	Roulement
X034	G90105151	1	Screw	Vis